

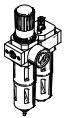
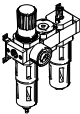
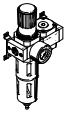

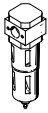
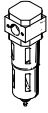
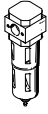
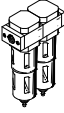
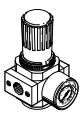
On-off/soft-start valves HE/HEE/HEP/HEL, D series



On-off/soft-start valves HE/HEE/HEP/HEL, D series, metal design



Product range overview D series service units, metal design

Type	Size	Pneumatic connection										Pressure regulation range [bar]			Grade of filtration [µm]			
		M5	M7	G1/8	G1/4	G3/8	G1/2	G3/4	G1	QS4	QS6	0.5 ...	0.5 ...	2.5 ...	0.01	1	5	40
Service units																		
FRC/FRCS 	Micro	■	■	■	-	-	-	-	-	■	■	■	-	-	-	-	■	-
	Mini	-	-	■	■	■	-	-	-	-	-	■	■	-	-	-	■	■
	Midi	-	-	-	■	■	■	■	-	-	-	■	■	-	-	-	■	■
	Maxi	-	-	-	-	-	■	■	■	-	-	■	■	-	-	-	■	■
Service unit combinations																		
FRC-K 	Micro	-	-	-	-	-	-	-	-	-	-	-	-	-	-	-	-	
	Mini	-	-	■	■	-	-	-	-	-	-	■	■	-	-	-	-	■
	Midi	-	-	-	■	■	■	-	-	-	-	■	■	-	-	-	-	■
	Maxi	-	-	-	-	-	■	■	-	-	-	■	■	-	-	-	-	■
LFR-K LFRS-K 	Micro	-	-	-	-	-	-	-	-	-	-	-	-	-	-	-	-	
	Mini	-	-	■	■	-	-	-	-	-	-	■	■	-	-	-	-	■
	Midi	-	-	-	■	■	■	-	-	-	-	■	■	-	-	-	-	■
	Maxi	-	-	-	-	-	■	■	-	-	-	■	■	-	-	-	-	■
Individual devices																		
Filter regulators LFR/LFRS 	Micro	■	■	■	-	-	-	-	-	■	■	■	-	-	-	-	■	-
	Mini	-	-	■	■	■	-	-	-	-	-	■	■	-	-	-	■	■
	Midi	-	-	-	■	■	■	■	-	-	-	■	■	-	-	-	■	■
	Maxi	-	-	-	-	-	■	■	■	-	-	■	■	-	-	-	■	■
Filters LF 	Micro	■	■	■	-	-	-	-	-	■	■	-	-	-	-	-	■	-
	Mini	-	-	■	■	■	-	-	-	-	-	-	-	-	-	-	■	■
	Midi	-	-	-	■	■	■	■	-	-	-	-	-	-	-	-	■	■
	Maxi	-	-	-	-	-	■	■	■	-	-	-	-	-	-	-	■	■
Fine and micro filters LFMA/LFMB 	Micro	-	-	-	-	-	-	-	-	-	-	-	-	-	-	-	-	-
	Mini	-	-	■	■	■	-	-	-	-	-	-	-	■	■	-	-	-
	Midi	-	-	-	■	■	■	■	-	-	-	-	-	■	■	-	-	-
	Maxi	-	-	-	-	-	■	■	■	-	-	-	-	■	■	-	-	-
Active carbon filters LFX 	Micro	-	-	-	-	-	-	-	-	-	-	-	-	-	-	-	-	-
	Mini	-	-	■	■	■	-	-	-	-	-	-	-	-	-	-	-	-
	Midi	-	-	-	■	■	■	■	-	-	-	-	-	-	-	-	-	-
	Maxi	-	-	-	-	-	■	■	■	-	-	-	-	-	-	-	-	-
Filter combinations LFMBA 	Micro	-	-	-	-	-	-	-	-	-	-	-	-	-	-	-	-	-
	Mini	-	-	■	■	■	-	-	-	-	-	-	-	■	■	-	-	-
	Midi	-	-	-	■	■	■	■	-	-	-	-	-	■	■	-	-	-
	Maxi	-	-	-	-	-	■	■	■	-	-	-	-	■	■	-	-	-
Pressure regulators LR/LRS 	Micro	■	■	■	-	-	-	-	-	■	■	■	-	-	-	-	-	-
	Mini	-	-	■	■	■	-	-	-	-	-	■	■	-	-	-	-	-
	Midi	-	-	-	■	■	■	■	-	-	-	■	■	-	-	-	-	-
	Maxi	-	-	-	-	-	■	■	■	-	-	■	■	-	-	-	-	-

On-off/soft-start valves HE/HEE/HEP/HEL, D series, metal design

Product range overview D series service units, metal design

Type	Size	Bowl guard		Condensate drain			Pressure indication		Actuator lock		Supply voltage			Options			→ Page/ Internet
		Metal bowl guard	Plastic bowl	Manual rotary	Semi-automatic	Fully automatic	With pressure gauge	Without pressure gauge	Rotary knob with detent	Rotary knob with integrated lock	24 V DC	110 V AC	230 V AC	Directly actuated pressure regulator with integrated return flow function	Pilot actuated pressure regulator with integrated return flow function	Differential pressure indicator	
Service units																	
FRC/FRCS	Micro	-	■	■	■	-	■	■	■	-	-	-	-	-	-	-	frc
	Mini	■	-	■	-	■	■	■	■	■	-	-	-	-	-	-	
	Midi	■	-	■	-	■	■	■	■	■	-	-	-	-	-	-	
	Maxi	■	-	■	-	■	■	■	■	■	-	-	-	■	■	-	
Service unit combinations																	
FRC-K	Micro	-															frc
	Mini	■	-	■	-	■	■	-	■	-	■	-	-	-	-	-	
	Midi	■	-	■	-	■	■	-	■	-	■	-	-	-	-	-	
	Maxi	■	-	■	-	■	■	-	■	-	■	-	-	■	■	-	
LFR-K LFRS-K	Micro	-															lfr
	Mini	■	-	■	-	■	■	-	■	■	■	-	-	-	-	-	
	Midi	■	-	■	-	■	■	-	■	■	■	-	-	-	-	-	
	Maxi	■	-	■	-	■	■	-	■	■	■	-	-	■	■	-	
Individual devices																	
Filter regulators LFR/LFRS	Micro	-	■	■	■	-	■	■	■	-	-	-	-	-	-	-	lfr
	Mini	■	-	■	-	■	■	■	■	■	-	-	-	-	-	-	
	Midi	■	-	■	-	■	■	■	■	■	-	-	-	-	-	-	
	Maxi	■	-	■	-	■	■	■	■	■	-	-	-	■	■	-	
Filters LF	Micro	-	■	■	■	-	-	-	-	-	-	-	-	-	-	-	lf
	Mini	■	-	■	-	■	-	-	-	-	-	-	-	-	-	-	
	Midi	■	-	■	-	■	-	-	-	-	-	-	-	-	-	-	
	Maxi	■	-	■	-	■	-	-	-	-	-	-	-	-	-	-	
Fine and micro filters LFMA/LFMB	Micro	-															lfma, lfmb
	Mini	■	-	■	-	■	-	-	-	-	-	-	-	-	-	■	
	Midi	■	-	■	-	■	-	-	-	-	-	-	-	-	-	■	
	Maxi	■	-	■	-	■	-	-	-	-	-	-	-	-	-	■	
Active carbon filters LFX	Micro	-															lfx
	Mini	■	-	-	-	-	-	-	-	-	-	-	-	-	-	-	
	Midi	■	-	-	-	-	-	-	-	-	-	-	-	-	-	-	
	Maxi	■	-	-	-	-	-	-	-	-	-	-	-	-	-	-	
Filter combinations LFMBA	Micro	-															lfmba
	Mini	■	-	■	-	■	-	-	-	-	-	-	-	-	-	■	
	Midi	■	-	■	-	■	-	-	-	-	-	-	-	-	-	■	
	Maxi	■	-	■	-	■	-	-	-	-	-	-	-	-	-	■	
Pressure regulators LR/LRS	Micro	-	-	-	-	-	■	■	■	-	-	-	-	-	-	-	lr
	Mini	-	-	-	-	-	■	■	■	■	-	-	-	■	-	-	
	Midi	-	-	-	-	-	■	■	■	■	-	-	-	■	-	-	
	Maxi	-	-	-	-	-	■	■	■	■	-	-	-	■	■	-	

On-off/soft-start valves HE/HEE/HEP/HEL, D series, metal design



Product range overview D series service units, metal design

Type	Size	Pneumatic connection										Pressure regulation range [bar]		
		M5	M7	G1/8	G1/4	G3/8	G1/2	G3/4	G1	QS4	QS6	0.5 ... 7	0.5 ... 12	
Individual devices														
Pressure regulators LRB/LRBS		Micro	-											
		Mini	-	-	-	■	-	-	-	-	-	-	■	■
		Midi	-	-	-	-	■	-	-	-	-	-	■	■
		Maxi	-											
Pressure regulator combinations LRB-K		Micro	-											
		Mini	-	-	-	■	■	-	-	-	-	-	■	■
		Midi	-	-	-	-	■	■	-	-	-	-	■	■
		Maxi	-											
Lubricators LOE		Micro	■	■	■	-	-	-	-	-	■	■	-	-
		Mini	-	-	■	■	■	-	-	-	-	-	-	-
		Midi	-	-	-	■	■	■	■	-	-	-	-	-
		Maxi	-	-	-	-	-	■	■	■	-	-	-	-
On-off valves HE		Micro	-											
		Mini	-	-	■	■	■	-	-	-	-	-	-	-
		Midi	-	-	-	■	■	■	■	-	-	-	-	-
		Maxi	-	-	-	-	-	■	■	■	-	-	-	-
On-off valves, electrical HEE		Micro	-											
		Mini	-	-	■	■	■	-	-	-	-	-	-	-
		Midi	-	-	-	■	■	■	■	-	-	-	-	-
		Maxi	-	-	-	-	-	■	■	■	-	-	-	-
On-off valves, pneumatic HEP		Micro	-											
		Mini	-	-	■	■	■	-	-	-	-	-	-	-
		Midi	-	-	-	■	■	■	■	-	-	-	-	-
		Maxi	-	-	-	-	-	■	■	■	-	-	-	-
Soft-start valves HEL		Micro	-											
		Mini	-	-	■	■	■	-	-	-	-	-	-	-
		Midi	-	-	-	■	■	■	■	-	-	-	-	-
		Maxi	-	-	-	-	-	■	■	■	-	-	-	-
Membrane air dryers LDM1		Micro	-											
		Mini	-											
		Midi	-											
		Maxi	-	-	-	-	-	■	■	■	-	-	-	-
Branching modules FRM		Micro	-											
		Mini	-	-	■	■	■	-	-	-	-	-	-	-
		Midi	-	-	-	■	■	■	■	-	-	-	-	-
		Maxi	-	-	-	-	-	■	■	■	-	-	-	-
Distributor block FRZ		Micro	-											
		Mini	-											
		Midi	-											
		Maxi	-											

On-off/soft-start valves HE/HEE/HEP/HEL, D series, metal design

Product range overview D series service units, metal design

Type	Size	Bowl guard		Pressure indication		Actuator lock		Supply voltage			Options		→ Page/ Internet
		Metal bowl guard	Plastic bowl	With pressure gauge	Without pressure gauge	Rotary knob with detent	Rotary knob with integrated lock	24 V DC	110 V AC	230 V AC	Non-return function	Pressure switch	
Individual devices													
Pressure regulators LRB/LRBS	Micro	-	-	-	■	■	■	-	-	-	-	-	lrb
	Mini	-	-	-	■	■	■	-	-	-	-	-	
	Midi	-	-	-	■	■	■	-	-	-	-	-	
	Maxi	-	-	-	■	■	■	-	-	-	-	-	
Pressure regulator combinations LRB-K	Micro	-	-	-	■	■	-	-	-	-	-	-	lrb
	Mini	-	-	-	■	■	-	-	-	-	-	-	
	Midi	-	-	-	■	■	-	-	-	-	-	-	
	Maxi	-	-	-	■	■	-	-	-	-	-	-	
Lubricators LOE	Micro	-	■	-	■	-	-	-	-	-	-	-	loe
	Mini	■	-	-	■	-	-	-	-	-	-	-	
	Midi	■	-	-	■	-	-	-	-	-	-	-	
	Maxi	■	-	-	■	-	-	-	-	-	-	-	
On-off valves HE	Micro	-	-	-	■	■	-	-	-	-	-	-	6
	Mini	-	-	-	■	■	-	-	-	-	-	-	
	Midi	-	-	-	■	■	-	-	-	-	-	-	
	Maxi	-	-	-	■	■	-	-	-	-	-	-	
On-off valves, electrical HEE	Micro	-	-	-	■	-	-	■	■	■	-	-	12
	Mini	-	-	-	■	-	-	■	■	■	-	-	
	Midi	-	-	-	■	-	-	■	■	■	-	-	
	Maxi	-	-	-	■	-	-	■	■	■	-	-	
On-off valves, pneumatic HEP	Micro	-	-	-	■	-	-	-	-	-	-	-	18
	Mini	-	-	-	■	-	-	-	-	-	-	-	
	Midi	-	-	-	■	-	-	-	-	-	-	-	
	Maxi	-	-	-	■	-	-	-	-	-	-	-	
Soft-start valves HEL	Micro	-	-	-	■	-	-	-	-	-	-	-	24
	Mini	-	-	-	■	-	-	-	-	-	-	-	
	Midi	-	-	-	■	-	-	-	-	-	-	-	
	Maxi	-	-	-	■	-	-	-	-	-	-	-	
Membrane air dryers LDM1	Micro	-	-	-	■	-	-	-	-	-	-	-	ldm1
	Mini	-	-	-	■	-	-	-	-	-	-	-	
	Midi	-	-	-	■	-	-	-	-	-	-	-	
	Maxi	■	-	-	■	-	-	-	-	-	-	-	
Branching modules FRM	Micro	-	-	-	■	-	-	-	-	-	■	■	frm
	Mini	-	-	-	■	-	-	-	-	-	■	■	
	Midi	-	-	-	■	-	-	-	-	-	■	■	
	Maxi	-	-	-	■	-	-	-	-	-	■	■	
Distributor block FRZ	Micro	-	-	-	■	-	-	-	-	-	-	-	frz
	Mini	-	-	-	■	-	-	-	-	-	-	-	
	Midi	-	-	-	■	-	-	-	-	-	-	-	
	Maxi	-	-	-	■	-	-	-	-	-	-	-	

On-off valves HE, D series, metal design

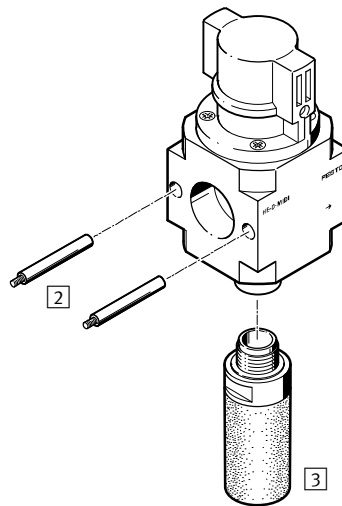
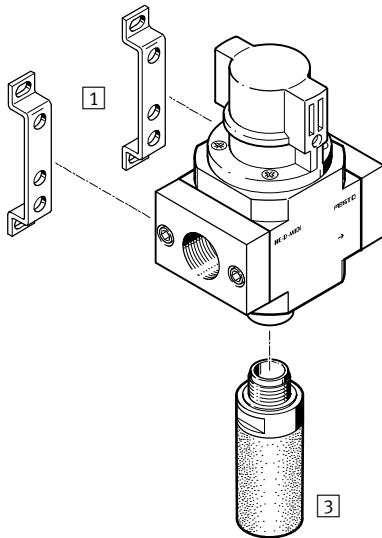
Peripherals overview

FESTO

Mini/Midi/Maxi

Individual unit with connection plates

Individual unit without connection plates, for service unit combination

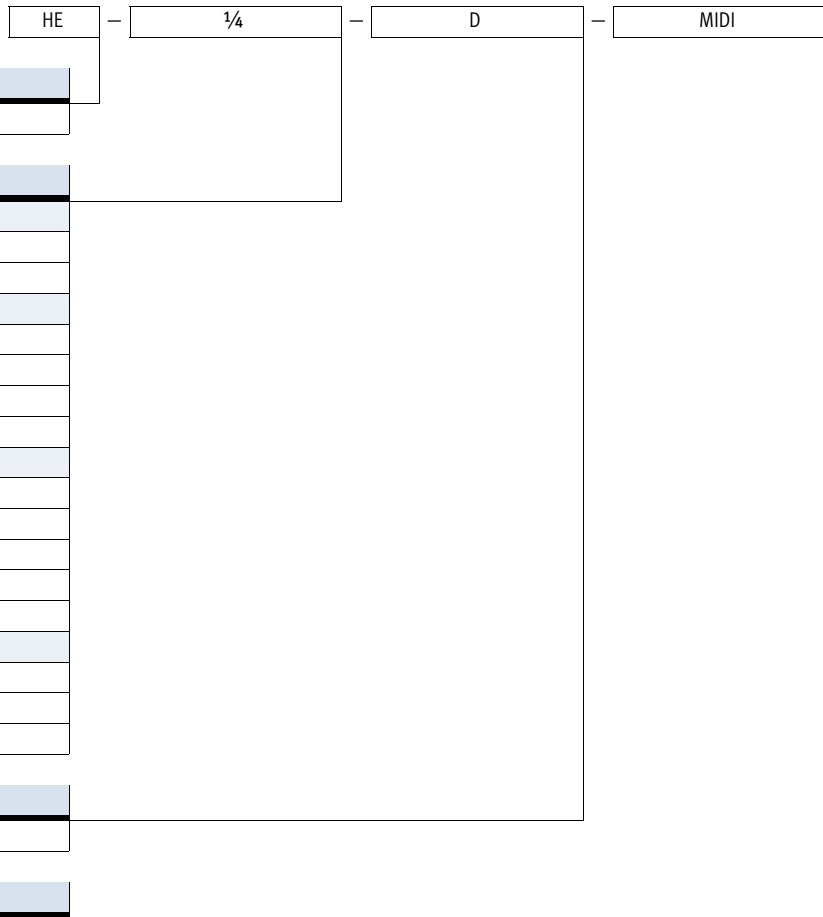


Mounting attachments and accessories

	Individual unit		Combination		→ Page/ Internet
	with connection plates	without connection plates	with connection plates	without connection plates	
1 Mounting bracket HFOE	■	–	■	–	hfoe-d
2 Threaded pin (included in scope of delivery) FRB	–	–	■	■	frb-d
3 Silencer U	■	■	■	■	35

On-off valves HE, D series, metal design

Type codes



Basic function

HE	On-off valve, manual
----	----------------------

Pneumatic connection

MINI/MIDI/MAXI

	Without connecting plates
--	---------------------------

MINI

1/8	Connecting plates with connecting thread G1/8
1/4	Connecting plates with connecting thread G1/4
3/8	Connecting plates with connecting thread G3/8

MIDI

1/4	Connecting plates with connecting thread G1/4
3/8	Connecting plates with connecting thread G3/8
1/2	Connecting plates with connecting thread G1/2
3/4	Connecting plates with connecting thread G3/4

MAXI

1/2	Connecting plates with connecting thread G1/2
3/4	Connecting plates with connecting thread G3/4
1	Connecting plates with connecting thread G1

Series

D	Series
---	--------

Size

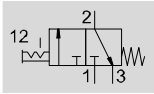
MINI	Grid dimension 40 mm (without connecting plates)
MIDI	Grid dimension 55 mm (without connecting plates)
MAXI	Grid dimension 66 mm (without connecting plates)

On-off valves HE, D series, metal design

Technical data

FESTO

Function



- - Flow rate
1,000 ... 6,500 l/min
- - Temperature range
-10 ... +60 °C
- - Operating pressure
0 ... 16 bar



- 3/2-way manual shut-off valve
- The unit is vented when switched off
- Ducted exhaust possible via a threaded connection
- The switching position is recognisable
- Commercially available padlock can be used for security

General technical data													
Size	Mini				Midi					Maxi			
Pneumatic connection 1, 2	G $\frac{1}{8}$	G $\frac{1}{4}$	G $\frac{3}{8}$	- ¹⁾	G $\frac{1}{4}$	G $\frac{3}{8}$	G $\frac{1}{2}$	G $\frac{3}{4}$	- ¹⁾	G $\frac{1}{2}$	G $\frac{3}{4}$	G1	- ¹⁾
Pneumatic connection 3	G $\frac{1}{8}$				G $\frac{1}{4}$					G $\frac{3}{8}$			
Design	Piston spool valve												
Actuation type	Manual												
Type of mounting	Via accessories												
	In-line installation												
Assembly position	Any												
Air purity class at the output	Compressed air in accordance with ISO 8573-1:2010 [7:4:4]												
	Inert gases												
Valve function	3/2-way valve, bistable												
Manual override	None												
Exhaust function	No flow control												
Direction of flow	Non-reversible												
Sealing principle	Soft												

1) Without connecting plates

- - Note: This product conforms to ISO 1179-1 and to ISO 228-1

Flow rate characteristic values											
Size	Mini			Midi				Maxi			
Pneumatic connection 1, 2	G $\frac{1}{8}$	G $\frac{1}{4}$	G $\frac{3}{8}$	G $\frac{1}{4}$	G $\frac{3}{8}$	G $\frac{1}{2}$	G $\frac{3}{4}$	G $\frac{1}{2}$	G $\frac{3}{4}$	G1	
Standard nominal flow rate $q_{nN}^{1)}$ [l/min]											
In main flow direction 1 \rightarrow 2	1,000	1,500	1,600	2,600	3,200	3,600	3,800	5,600	6,000	6,500	
C value [l/s*bar]											
In main flow direction 1 \rightarrow 2	4.4	7.2	7.5	9.9	15.7	17	17.3	23.7	26.8	25.9	
b value											
In main flow direction 1 \rightarrow 2	0.44	0.28	0.27	0.45	0.3	0.3	0.42	0.32	0.35	0.37	

1) Measured at $p_1 = 6 \text{ bar}$ and $\Delta p = 1 \text{ bar}$.

On-off valves HE, D series, metal design

Technical data

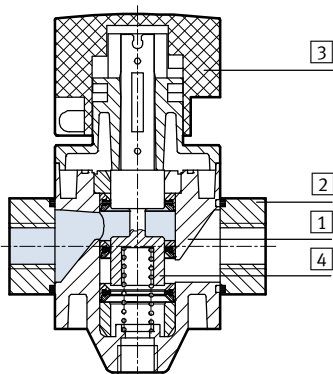
Operating and environmental conditions	
Operating pressure [bar]	0 ... 16
Operating medium	Compressed air in accordance with ISO 8573-1:2010 [7:4:4]
	Inert gases
Note on operating/pilot medium	Operation with lubricated medium possible (in which case lubricated operation will always be required)
Ambient temperature [°C]	-10 ... +60
Temperature of medium [°C]	-10 ... +60
Corrosion resistance class CRC ¹⁾	2
Maritime classification	See certificate ²⁾

- 1) Corrosion resistance class CRC 2 to Festo standard FN 940070
Moderate corrosion stress. Indoor applications in which condensation may occur. External visible parts with primarily decorative requirements for the surface and which are in direct contact with the ambient atmosphere typical for industrial applications.
- 2) Additional information www.festo.com/sp → Certificates.

Weight [g]			
Size	Mini	Midi	Maxi
On-off valve	192	511	796

Materials

Sectional view

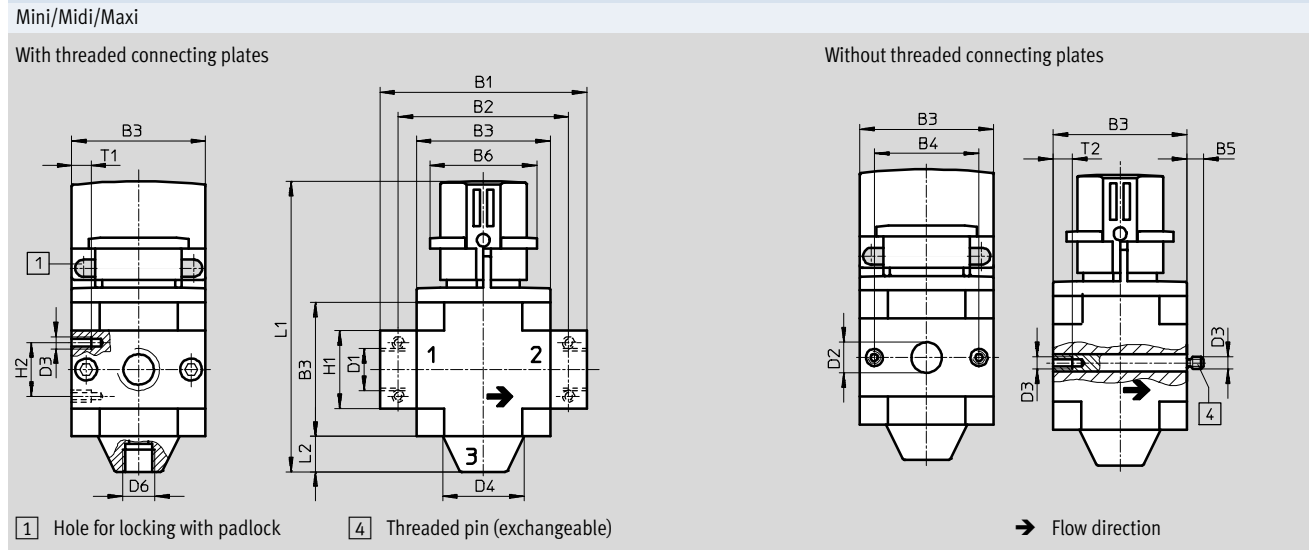


On-off valve		
1	Housing	Die-cast aluminium
2	Connecting plates	Die-cast zinc
3	Rotary knob	PA
4	Piston	Stainless steel
-	Seals	NBR
Note on materials		RoHS-compliant

On-off valves HE, D series, metal design

Technical data

Dimensions Download CAD data → www.festo.com



Type	B1	B2	B3	B4	B5	B6	D1	D2	D3	D4	D6	H1	H2	L1	L2	T1	T2
Mini																	
HE-1/8-D-MINI	64	52	40	30	-	32	G1/8	-	M4	24	G1/8	20	11	100	11	7	-
HE-1/4-D-MINI							G1/4										
HE-3/8-D-MINI	70						G3/8										
HE-D-MINI	-	-			5.8		-	11				-	-			-	10
Midi																	
HE-1/4-D-MIDI	85	70	55	43	-	44	G1/4	-	M5	34	G1/4	32	22	121	14	8	-
HE-3/8-D-MIDI							G3/8										
HE-1/2-D-MIDI							G1/2										
HE-3/4-D-MIDI							G3/4										
HE-D-MIDI	-	-			6.8		-	24				-	-			-	11
Maxi																	
HE-1/2-D-MAXI	96	80	66	46	-	44	G1/2	-	M5	38	G3/8	32	22	134	16	8	-
HE-3/4-D-MAXI							G3/4					40					
HE-1-D-MAXI	116	91					G1					-	-				
HE-D-MAXI	-	-			6.8		-	30				-	-			-	11

• - Note: This product conforms to ISO 1179-1 and to ISO 228-1

On-off valves HE, D series, metal design

Technical data

Ordering data			
3/2-way valve, normally closed			
Size	Connection	Part No.	Type
Without connecting plates			
Mini	–	170681	HE-D-MINI
Midi	–	170682	HE-D-MIDI
Maxi	–	170683	HE-D-MAXI
Connecting plates with connecting thread			
Mini	G1/8	162806	HE-1/8-D-MINI
	G1/4	162807	HE-1/4-D-MINI
	G3/8	162808	HE-3/8-D-MINI
Midi	G1/4	186513	HE-1/4-D-MIDI
	G3/8	162809	HE-3/8-D-MIDI
	G1/2	162810	HE-1/2-D-MIDI
	G3/4	162811	HE-3/4-D-MIDI
Maxi	G1/2	186514	HE-1/2-D-MAXI
	G3/4	162812	HE-3/4-D-MAXI
	G1	162813	HE-1-D-MAXI

On-off valves HEE, D series, metal design

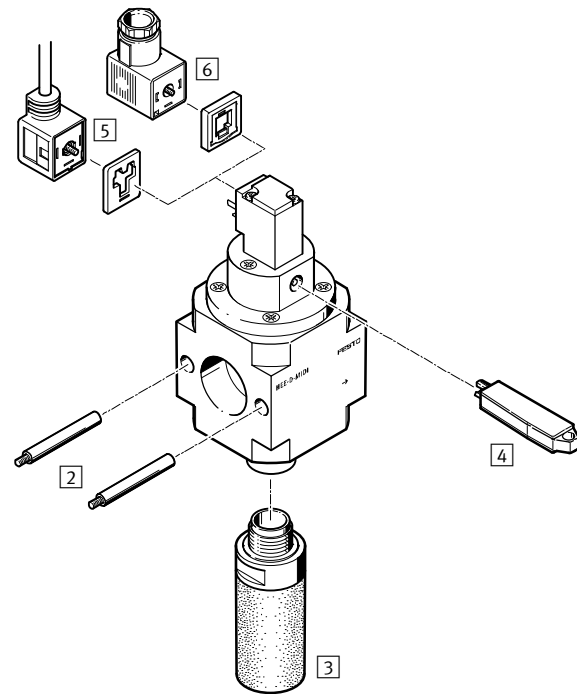
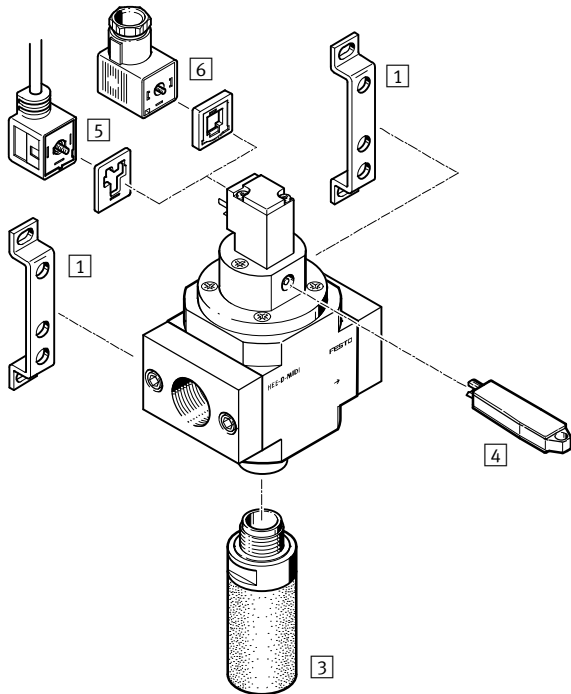
Peripherals overview



Mini/Midi/Maxi

Individual unit with connection plates

Individual unit without connection plates, for service unit combination



Mounting attachments and accessories					
	Individual unit		Combination		→ Page/ Internet
	with connection plates	without connection plates	with connection plates	without connection plates	
1 Mounting bracket HFOE	■	-	■	-	hfoe-d
2 Threaded pin (included in scope of delivery) FRB	-	-	■	■	frb-d
3 Silencer U	■	■	■	■	35
4 Manual override tool, non-detenting AHB-MD/MF/MY	■	■	■	■	-
5 Plug socket with cable KMEB-1	■	■	■	■	35
6 Plug socket MSSD-EB	■	■	■	■	35

On-off valves HEE, D series, metal design

Type codes

HEE – 1/4 – D – MIDI – 110

Basic function

HEE	On-off valve, electrical
-----	--------------------------

Pneumatic connection

MINI/MIDI/MAXI

	Without connecting plates
--	---------------------------

MINI

1/8	Connecting plates with connecting thread G1/8
1/4	Connecting plates with connecting thread G1/4
3/8	Connecting plates with connecting thread G3/8

MIDI

1/4	Connecting plates with connecting thread G1/4
3/8	Connecting plates with connecting thread G3/8
1/2	Connecting plates with connecting thread G1/2
3/4	Connecting plates with connecting thread G3/4

MAXI

1/2	Connecting plates with connecting thread G1/2
3/4	Connecting plates with connecting thread G3/4
1	Connecting plates with connecting thread G1

Series

D	Series
---	--------

Size

MINI	Grid dimension 40 mm (without connecting plates)
MIDI	Grid dimension 55 mm (without connecting plates)
MAXI	Grid dimension 66 mm (without connecting plates)

Voltage

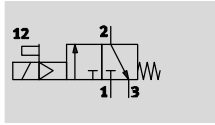
24	Supply voltage 24 V DC
110	Supply voltage 110 V AC
230	Supply voltage 230 V AC

On-off valves HEE, D series, metal design

Technical data

FESTO

Function



- - Flow rate
1,000 ... 6,500 l/min
- - Temperature range
-10 ... +60 °C
- - Operating pressure
2.5 ... 16 bar



- Electrical on-off valve for pressurising and venting pneumatic installations
- With solenoid coil without plug socket
- Three voltage ranges can be selected
- Ducted exhaust possible via a threaded connection with silencer
- Manual override via pushing and detenting (using override tool AHB-MD/MF/MV)
- Solenoid head can be repositioned by 4 x 90°

General technical data													
Size	Mini				Midi					Maxi			
Pneumatic connection 1, 2	G1/8	G1/4	G3/8	-1)	G1/4	G3/8	G1/2	G3/4	-1)	G1/2	G3/4	G1	-1)
Pneumatic connection 3	G1/8				G1/4					G3/8			
Design	Piston spool valve												
Actuation type	Electrical												
Type of mounting	Via accessories In-line installation												
Assembly position	Any												
Air purity class at the output	Compressed air in accordance with ISO 8573-1:2010 [7:4:4] Inert gases												
Valve function	3/2-way valve, single solenoid, closed												
Signal status display	Via accessories												
Manual override	Detenting												
Exhaust function	No flow control												
Type of reset	Mechanical spring												
Type of control	Piloted												
Direction of flow	Non-reversible												
Sealing principle	Soft												

1) Without connecting plates

- - Note: This product conforms to ISO 1179-1 and to ISO 228-1

Electrical data		
Coil characteristics	24	24 V DC: 3.0 W; perm. voltage fluctuations ±10%
	110	110 V AC: 50/60 Hz; pick-up power 5.0 W; holding power 3.7 W; perm. voltage fluctuations ±10%
	230	230 V AC: 50/60 Hz; pick-up power 5.0 W; holding power 3.7 W; perm. voltage fluctuations -14%/+10%
Electrical connection	Plug to EN 175301-803, type C	
Protection class for solenoid coil	IP65	
Duty cycle	[%]	100

On-off valves HEE, D series, metal design

Technical data

Flow rate characteristic values										
Size	Mini			Midi				Maxi		
Pneumatic connection 1, 2	G $\frac{1}{8}$	G $\frac{1}{4}$	G $\frac{3}{8}$	G $\frac{1}{4}$	G $\frac{3}{8}$	G $\frac{1}{2}$	G $\frac{3}{4}$	G $\frac{1}{2}$	G $\frac{3}{4}$	G1
Standard nominal flow rate $q_{nN}^{1)}$ [l/min]										
In main flow direction 1 \rightarrow 2	1,000	1,500	1,600	2,600	3,200	3,600	3,800	5,600	6,000	6,500
In relief direction 2 \rightarrow 3	1,000			2,000				3,000		
C value [l/s*bar]										
In main flow direction 1 \rightarrow 2	4.4	7	7.3	9.7	15.7	17	17.3	24.2	28	27.6
b value										
In main flow direction 1 \rightarrow 2	0.44	0.31	0.28	0.47	0.33	0.3	0.41	0.3	0.32	0.32

1) Measured at $p_1 = 6$ bar and $\Delta p = 1$ bar.

Operating and environmental conditions			
Supply voltage	24 V DC	110 V AC	230 V AC
Operating pressure [bar]	2.5 ... 16		
Operating medium	Compressed air in accordance with ISO 8573-1:2010 [7:4:4] Inert gases		
Note on operating/pilot medium	Operation with lubricated medium possible (in which case lubricated operation will always be required)		
Ambient temperature [°C]	-10 ... +60		
Temperature of medium [°C]	-10 ... +60		
Corrosion resistance class CRC ¹⁾	2		
CE marking (see declaration of conformity) ²⁾	-		To EU Low Voltage Directive
Maritime classification	See certificate ²⁾		-

1) Corrosion resistance class CRC 2 to Festo standard FN 940070

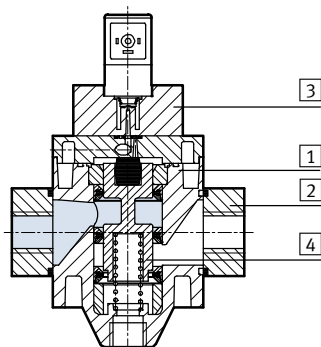
Moderate corrosion stress. Indoor applications in which condensation may occur. External visible parts with primarily decorative requirements for the surface and which are in direct contact with the ambient atmosphere typical for industrial applications.

2) Additional information www.festo.com/sp → Certificates.

Weight [g]			
Size	Mini	Midi	Maxi
On-off valve	223	500	800

Materials

Sectional view



On-off valve		
1	Housing	Die-cast aluminium
2	Connecting plates	Die-cast zinc
3	Solenoid and intermediate plate	PA
4	Piston	Stainless steel
-	Seals	NBR
Note on materials		RoHS-compliant

On-off valves HEE, D series, metal design

Technical data

Dimensions Download CAD data → www.festo.com

Mini/Midi/Maxi, with connecting plates with connecting thread

1 Manual override facility
→ Flow direction

Mini/Midi/Maxi, without connecting plates

1 Manual override facility
4 Threaded pin (exchangeable)
→ Flow direction

Type	B1	B2	B3	B4	B5	B6	D1	D2 Ø	D3	D4 Ø	D6	H1	H2	L1	L2	T1	T2
Mini																	
HEE-1/8-D-MINI	64	52	40	17	30	-	G1/8	-	M4	24	G1/8	20	11	104	11	7	-
HEE-1/4-D-MINI							G1/4										
HEE-3/8-D-MINI	70						G3/8										
HEE-D-MINI	-	-				5.8	-	11				-	-			-	10
Midi																	
HEE-1/4-D-MIDI	85	70	55	17	43	-	G1/4	-	M5	34	G1/4	32	22	122	14	8	-
HEE-3/8-D-MIDI							G3/8										
HEE-1/2-D-MIDI							G1/2										
HEE-3/4-D-MIDI							G3/4										
HEE-D-MIDI	-	-				6.8	-	24				-	-			-	11
Maxi																	
HEE-1/2-D-MAXI	96	80	66	17	46	-	G1/2	-	M5	38	G3/8	32	22	135	16	8	-
HEE-3/4-D-MAXI							G3/4					40					
HEE-1-D-MAXI	116	91					G1										
HEE-D-MAXI	-	-				6.8	-	30				-	-			-	11

Note: This product conforms to ISO 1179-1 and to ISO 228-1

On-off valves HEE, D series, metal design

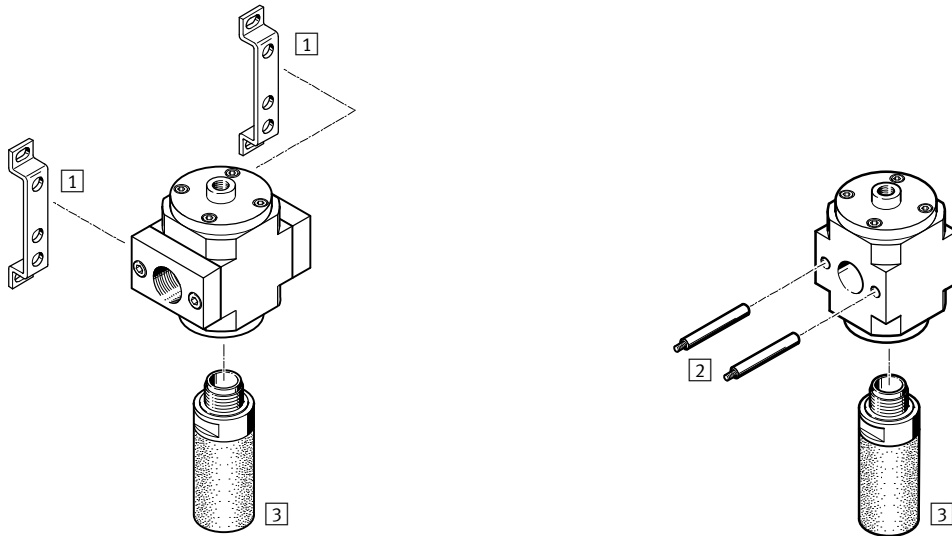
Technical data

Ordering data							
3/2-way valve, normally closed							
Size	Connection	24 V DC		110 V AC		230 V AC	
		Part No.	Type	Part No.	Type	Part No.	Type
Without connecting plates							
Mini	–	172956	HEE-D-MINI-24	172957	HEE-D-MINI-110	172958	HEE-D-MINI-230
Midi	–	172959	HEE-D-MIDI-24	172960	HEE-D-MIDI-110	172961	HEE-D-MIDI-230
Maxi	–	172962	HEE-D-MAXI-24	172963	HEE-D-MAXI-110	172964	HEE-D-MAXI-230
Connecting plates with connecting thread							
Mini	G1/8	165068	HEE-1/8-D-MINI-24	165069	HEE-1/8-D-MINI-110	165070	HEE-1/8-D-MINI-230
	G1/4	165071	HEE-1/4-D-MINI-24	165072	HEE-1/4-D-MINI-110	165073	HEE-1/4-D-MINI-230
	G3/8	165074	HEE-3/8-D-MINI-24	165075	HEE-3/8-D-MINI-110	172940	HEE-3/8-D-MINI-230
Midi	G1/4	186515	HEE-1/4-D-MIDI-24	186517	HEE-1/4-D-MIDI-110	186516	HEE-1/4-D-MIDI-230
	G3/8	172941	HEE-3/8-D-MIDI-24	172942	HEE-3/8-D-MIDI-110	172943	HEE-3/8-D-MIDI-230
	G1/2	172944	HEE-1/2-D-MIDI-24	172945	HEE-1/2-D-MIDI-110	172946	HEE-1/2-D-MIDI-230
	G3/4	172947	HEE-3/4-D-MIDI-24	172948	HEE-3/4-D-MIDI-110	172949	HEE-3/4-D-MIDI-230
Maxi	G1/2	186518	HEE-1/2-D-MAXI-24	186520	HEE-1/2-D-MAXI-110	186519	HEE-1/2-D-MAXI-230
	G3/4	172950	HEE-3/4-D-MAXI-24	172951	HEE-3/4-D-MAXI-110	172952	HEE-3/4-D-MAXI-230
	G1	172953	HEE-1-D-MAXI-24	172954	HEE-1-D-MAXI-110	172955	HEE-1-D-MAXI-230

On-off valves HEP, D series, metal design

Peripherals overview

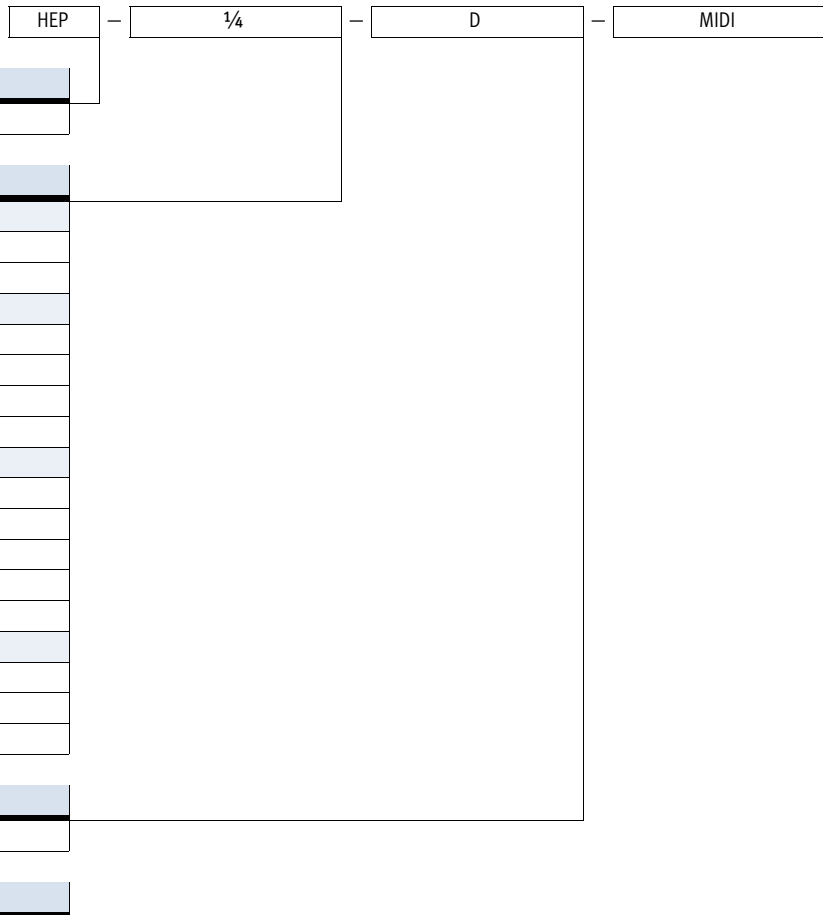
Mini/Midi/Maxi
 Individual unit with connection plates Individual unit without connection plates, for service unit combination



Mounting attachments and accessories					
	Individual unit		Combination		→ Page/ Internet
	with connection plates	without connection plates	with connection plates	without connection plates	
1 Mounting bracket HFOE	■	-	■	-	hfoe-d
2 Threaded pin (included in scope of delivery) FRB	-	-	■	■	frb-d
3 Silencer U	■	■	■	■	35

On-off valves HEP, D series, metal design

Type codes



Basic function

HEP	On-off valve, pneumatic
-----	-------------------------

Pneumatic connection

MINI/MIDI/MAXI

	Without connecting plates
--	---------------------------

MINI

1/8	Connecting plates with connecting thread G1/8
1/4	Connecting plates with connecting thread G1/4
3/8	Connecting plates with connecting thread G3/8

MIDI

1/4	Connecting plates with connecting thread G1/4
3/8	Connecting plates with connecting thread G3/8
1/2	Connecting plates with connecting thread G1/2
3/4	Connecting plates with connecting thread G3/4

MAXI

1/2	Connecting plates with connecting thread G1/2
3/4	Connecting plates with connecting thread G3/4
1	Connecting plates with connecting thread G1

Series

D	Series
---	--------

Size

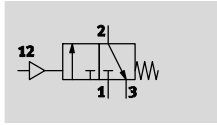
MINI	Grid dimension 40 mm (without connecting plates)
MIDI	Grid dimension 55 mm (without connecting plates)
MAXI	Grid dimension 66 mm (without connecting plates)




On-off valves HEP, D series, metal design

Technical data

FESTO

Function



-  - Flow rate
800 ... 6,500 l/min
-  - Temperature range
-10 ... +60 °C
-  - Operating pressure
0 ... 16 bar



- Pneumatically actuated on-off valve for pressurising and venting pneumatic installations
- The valve can be used as a single unit or in combination with other D series modules

General technical data													
Size	Mini				Midi					Maxi			
Pneumatic connection 1, 2	G $\frac{1}{8}$	G $\frac{1}{4}$	G $\frac{3}{8}$	- ¹⁾	G $\frac{1}{4}$	G $\frac{3}{8}$	G $\frac{1}{2}$	G $\frac{3}{4}$	- ¹⁾	G $\frac{1}{2}$	G $\frac{3}{4}$	G1	- ¹⁾
Pneumatic connection 3	G $\frac{1}{8}$				G $\frac{1}{4}$					G $\frac{3}{8}$			
Pilot air connection 12	G $\frac{1}{8}$												
Design	Piston spool valve												
Actuation type	Pneumatic												
Type of mounting	Via accessories												
	In-line installation												
Assembly position	Any												
Air purity class at the output	Compressed air in accordance with ISO 8573-1:2010 [7:4:4]												
	Inert gases												
Valve function	3/2-way valve, single solenoid, closed												
Manual override	None												
Exhaust function	No flow control												
Type of actuation	Mechanical spring												
Direction of flow	Non-reversible												
Sealing principle	Soft												

1) Without connecting plates

-||- Note: This product conforms to ISO 1179-1 and to ISO 228-1

On-off valves HEP, D series, metal design

Technical data

Flow rate characteristic values										
Size	Mini			Midi				Maxi		
Pneumatic connection 1, 2	G $\frac{1}{8}$	G $\frac{1}{4}$	G $\frac{3}{8}$	G $\frac{1}{4}$	G $\frac{3}{8}$	G $\frac{1}{2}$	G $\frac{3}{4}$	G $\frac{1}{2}$	G $\frac{3}{4}$	G1
Standard nominal flow rate $q_{nN}^{1)}$ [l/min]										
In main flow direction 1 \rightarrow 2	1,000	1,500	1,600	2,600	3,500	3,900	4,100	5,600	6,000	6,500
In relief direction 2 \rightarrow 3	800			1,900				2,400		
C value [l/s*bar]										
In main flow direction 1 \rightarrow 2	4.3	7.2	7.7	10.1	15.5	16.6	16.2	24.2	28	27.6
b value										
In main flow direction 1 \rightarrow 2	0.48	0.34	0.3	0.46	0.33	0.4	0.47	0.3	0.32	0.32

1) Measured at $p_1 = 6$ bar and $\Delta p = 1$ bar.

Operating and environmental conditions	
Operating pressure [bar]	0 ... 16
Pilot pressure [bar]	3 ... 16
Operating medium	Compressed air in accordance with ISO 8573-1:2010 [7:4:4] Inert gases
Note on operating/pilot medium	Operation with lubricated medium possible (in which case lubricated operation will always be required)
Ambient temperature [°C]	-10 ... +60
Temperature of medium [°C]	-10 ... +60
Corrosion resistance class CRC ¹⁾	2
Maritime classification	See certificate ²⁾

1) Corrosion resistance class CRC 2 to Festo standard FN 940070

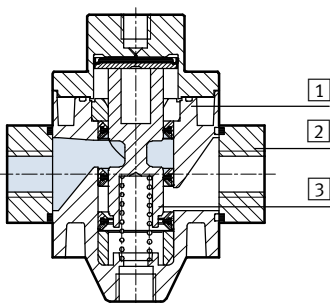
Moderate corrosion stress. Indoor applications in which condensation may occur. External visible parts with primarily decorative requirements for the surface and which are in direct contact with the ambient atmosphere typical for industrial applications.

2) Additional information www.festo.com/sp → Certificates.

Weight [g]			
Size	Mini	Midi	Maxi
On-off valve	223	500	800

Materials

Sectional view



On-off valve		
1	Housing	Die-cast aluminium
2	Connecting plates	Die-cast zinc
3	Piston	Stainless steel
-	Seals	NBR
Note on materials		RoHS-compliant

On-off valves HEP, D series, metal design

Technical data

Dimensions Download CAD data → www.festo.com

Mini/Midi/Maxi

With threaded connecting plates Without threaded connecting plates

1 Threaded connection for pilot air (12) 4 Threaded pin (exchangeable)

→ Flow direction

Type	B1	B2	B3	B4	B5	D1	D2	D3	D4	D5	D6	H1	H2	L1	L2	T1	T2
Mini																	
HEP-1/8-D-MINI	64	52	40	30	-	G1/8	-	M4	24	16	G1/8	20	11	73.8	11	7	-
HEP-1/4-D-MINI						G3/8											
HEP-3/8-D-MINI	70				5.8	-	11										
HEP-D-MINI	-	-															10
Midi																	
HEP-1/4-D-MIDI	85	70	55	43	-	G1/4	-	M5	34	32	G1/4	32	22	94.6	14	8	-
HEP-3/8-D-MIDI						G3/8											
HEP-1/2-D-MIDI						G1/2											
HEP-3/4-D-MIDI						G3/4											
HEP-D-MIDI	-	-			6.8	-	24										11
Maxi																	
HEP-1/2-D-MAXI	96	80	66	46	-	G1/2	-	M5	38	16	G3/8	32	22	95.6	16	8	-
HEP-3/4-D-MAXI						G3/4						40					
HEP-1-D-MAXI	116	91															
HEP-D-MAXI	-	-			6.8	-	30										11

|| - Note: This product conforms to ISO 1179-1 and to ISO 228-1

On-off valves HEP, D series, metal design

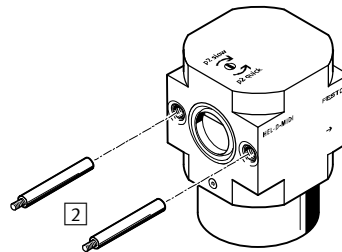
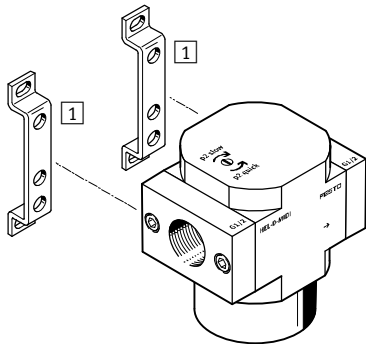
Technical data

Ordering data			
3/2-way valve, normally closed			
Size	Connection	Part No.	Type
With connecting plates			
Mini	–	193242	HEP-D-MINI
Midi	–	193249	HEP-D-MIDI
Maxi	–	193257	HEP-D-MAXI
Connecting plates with connecting thread			
Mini	G $\frac{1}{8}$	193243	HEP- $\frac{1}{8}$ -D-MINI
	G $\frac{1}{4}$	193244	HEP- $\frac{1}{4}$ -D-MINI
	G $\frac{3}{8}$	193245	HEP- $\frac{3}{8}$ -D-MINI
Midi	G $\frac{1}{4}$	193250	HEP- $\frac{1}{4}$ -D-MIDI
	G $\frac{3}{8}$	193251	HEP- $\frac{3}{8}$ -D-MIDI
	G $\frac{1}{2}$	193252	HEP- $\frac{1}{2}$ -D-MIDI
	G $\frac{3}{4}$	193253	HEP- $\frac{3}{4}$ -D-MIDI
Maxi	G $\frac{1}{2}$	193258	HEP- $\frac{1}{2}$ -D-MAXI
	G $\frac{3}{4}$	193259	HEP- $\frac{3}{4}$ -D-MAXI
	G1	193260	HEP-1-D-MAXI

Soft-start valves HEL, D series, metal design

Peripherals overview

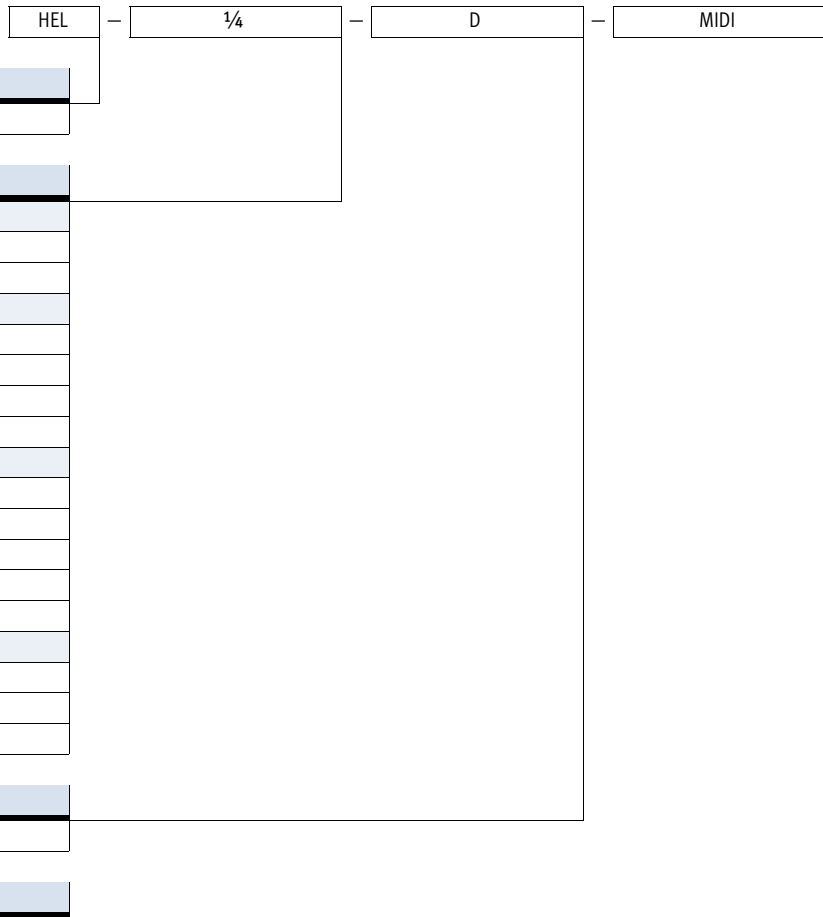
Mini/Midi/Maxi
 Individual unit with connection plates Individual unit without connection plates, for service unit combination



Mounting attachments and accessories					
	Individual unit		Combination		→ Page/ Internet
	with connection plates	without connection plates	with connection plates	without connection plates	
1 Mounting bracket HFOE	■	-	■	-	hfoe-d
2 Threaded pin (included in scope of delivery) FRB	-	-	■	■	frb-d

Soft-start valves HEL, D series, metal design

Type codes



Basic function

HEL	Soft-start valve
-----	------------------

Pneumatic connection

MINI/MIDI/MAXI

	Without connecting plates
--	---------------------------

MINI

1/8	Connecting plates with connecting thread G1/8
1/4	Connecting plates with connecting thread G1/4
3/8	Connecting plates with connecting thread G3/8

MIDI

1/4	Connecting plates with connecting thread G1/4
3/8	Connecting plates with connecting thread G3/8
1/2	Connecting plates with connecting thread G1/2
3/4	Connecting plates with connecting thread G3/4

MAXI

1/2	Connecting plates with connecting thread G1/2
3/4	Connecting plates with connecting thread G3/4
1	Connecting plates with connecting thread G1

Series

D	Series
---	--------

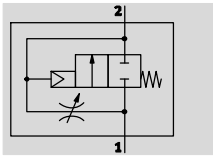
Size

MINI	Grid dimension 40 mm (without connecting plates)
MIDI	Grid dimension 55 mm (without connecting plates)
MAXI	Grid dimension 66 mm (without connecting plates)

Soft-start valves HEL, D series, metal design

Technical data

Function



- - Flow rate
1,000 ... 6,500 l/min
- - Temperature range
-10 ... +60 °C
- - Operating pressure
3 ... 16 bar



The duration of the pressure build-up is adjusted using the restrictor attached to the valve cap.

The output pressure p2 rises slowly in accordance with the restrictor setting. The main seat opens when the switch-through pressure is reached.

- Pneumatically actuated soft-start valve for slowly pressurising and venting pneumatic systems (for use with on-off valves HE and HEE)
- Drives are moved slowly and safely to their initial positions
- Sudden and erratic movements are avoided
- Pressure switching approx. 50% of input pressure
- Adjustable switching time delay

General technical data													
Size	Mini				Midi					Maxi			
Pneumatic connection 1, 2	G1/8	G1/4	G3/8	- ¹⁾	G1/4	G3/8	G1/2	G3/4	- ¹⁾	G1/2	G3/4	G1	- ¹⁾
Design	Piston spool valve												
Actuation type	Pneumatic												
Type of mounting	Via accessories In-line installation												
Assembly position	Any												
Air purity class at the output	Compressed air in accordance with ISO 8573-1:2010 [7:4:4] Inert gases												
Valve function	2/2-way valve, single solenoid, closed												
Manual override	None												
Exhaust function	Flow control												
Reset method	Mechanical spring												
Type of actuation	Direct												
Direction of flow	Non-reversible												
Sealing principle	Soft												

1) Without connecting plates

- - Note: This product conforms to ISO 1179-1 and to ISO 228-1

Flow rate characteristic values											
Size	Mini			Midi				Maxi			
Pneumatic connection 1, 2	G1/8	G1/4	G3/8	G1/4	G3/8	G1/2	G3/4	G1/2	G3/4	G1	
Standard nominal flow rate q _N ¹⁾ [l/min]											
In main flow direction 1 → 2	1,000	1,500	1,600	2,600	3,200	3,600	3,800	5,600	6,000	6,500	
C value [l/s*bar]											
In main flow direction 1 → 2	4.5	7.1	7.6	9	16.5	19.8	20.5	26.9	33.9	28.3	
b value											
In main flow direction 1 → 2	0.46	0.41	0.3	0.59	0.39	0.37	0.48	0.36	0.38	0.54	

1) Measured at p1 = 6 bar and Δp = 1 bar.

Soft-start valves HEL, D series, metal design

Technical data

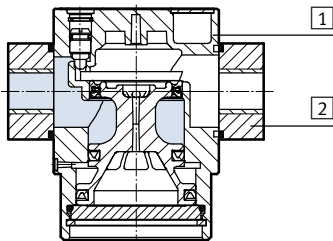
Operating and environmental conditions	
Operating pressure [bar]	3 ... 16
Operating medium	Compressed air in accordance with ISO 8573-1:2010 [7:4:4]
	Inert gases
Note on operating/pilot medium	Operation with lubricated medium possible (in which case lubricated operation will always be required)
Ambient temperature [°C]	-10 ... +60
Temperature of medium [°C]	-10 ... +60
Corrosion resistance class CRC ¹⁾	2
Maritime classification	See certificate ²⁾

- 1) Corrosion resistance class CRC 2 to Festo standard FN 940070
Moderate corrosion stress. Indoor applications in which condensation may occur. External visible parts with primarily decorative requirements for the surface and which are in direct contact with the ambient atmosphere typical for industrial applications.
- 2) Additional information www.festo.com/sp → Certificates.

Weight [g]			
Size	Mini	Midi	Maxi
Soft-start valve	126	270	394

Materials

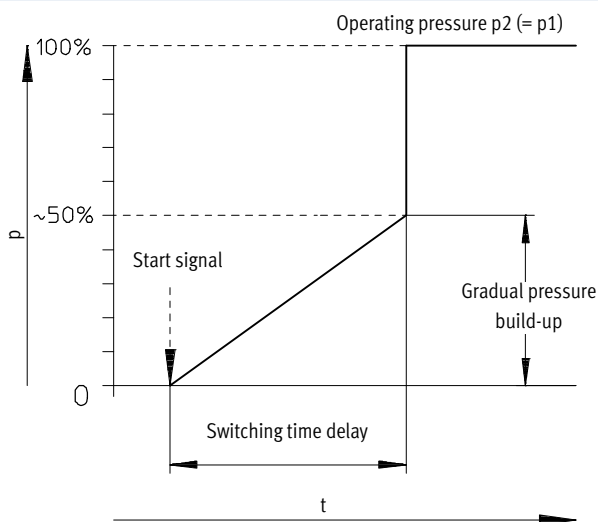
Sectional view



Soft-start valve		
1	Housing	Die-cast aluminium
2	Connecting plates	Die-cast zinc
-	Seals	NBR
Note on materials		RoHS-compliant

Switching point

Pressure p as a function of time t



Soft-start valves HEL, D series, metal design

Technical data

Download CAD data → www.festo.com

With threaded connecting plates

Without threaded connecting plates

1 Regulating screw in housing
 4 Threaded pin (exchangeable)
 → Flow direction

Type	B1	B2	B3	B4	B5	D1	D2 ∅	D3	D6	H1	H2	L1	L2	T1	T2
Mini															
HEL-1/8-D-MINI	64	52	40	30	-	G1/8	-	M4	30	20	11	56	16	7	-
HEL-1/4-D-MINI						G1/4									
HEL-3/8-D-MINI	70	-	-	-	5.8	G3/8	11	-	-	-	-	-	-	-	10
HEL-D-MINI						-									
Midi															
HEL-1/4-D-MIDI	85	70	55	43	-	G1/4	-	M5	50	32	22	77	22	8	-
HEL-3/8-D-MIDI						G3/8									
HEL-1/2-D-MIDI						G1/2									
HEL-3/4-D-MIDI						G3/4									
HEL-D-MIDI	-	-	-	-	6.8	-	24	-	-	-	-	-	-	-	11
Maxi															
HEL-1/2-D-MAXI	96	80	66	46	-	G1/2	-	M5	50	32	22	89	23	8	-
HEL-3/4-D-MAXI						G3/4									
HEL-1-D-MAXI	116	91	-	-	6.8	-	30	-	-	-	-	-	-	-	11
HEL-D-MAXI	-	-	-	-	-	-	-	-	-	-	-	-	-	-	-

Note: This product conforms to ISO 1179-1 and to ISO 228-1

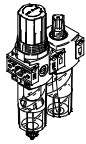
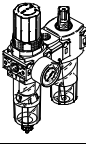
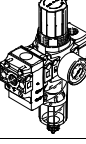
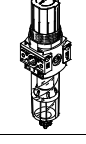

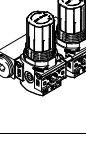
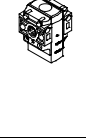
Soft-start valves HEL, D series, metal design

Technical data

Ordering data			
2/2-way valve, normally closed			
Size	Connection	Part No.	Type
Without connecting plates			
Mini	–	170690	HEL-D-MINI
Midi	–	170691	HEL-D-MIDI
Maxi	–	170692	HEL-D-MAXI
Connecting plates with connecting thread			
Mini	G $\frac{1}{8}$	165076	HEL-$\frac{1}{8}$-D-MINI
	G $\frac{1}{4}$	165077	HEL-$\frac{1}{4}$-D-MINI
	G $\frac{3}{8}$	165078	HEL-$\frac{3}{8}$-D-MINI
Midi	G $\frac{1}{4}$	186521	HEL-$\frac{1}{4}$-D-MIDI
	G $\frac{3}{8}$	165079	HEL-$\frac{3}{8}$-D-MIDI
	G $\frac{1}{2}$	165080	HEL-$\frac{1}{2}$-D-MIDI
	G $\frac{3}{4}$	165081	HEL-$\frac{3}{4}$-D-MIDI
Maxi	G $\frac{1}{2}$	186522	HEL-$\frac{1}{2}$-D-MAXI
	G $\frac{3}{4}$	165082	HEL-$\frac{3}{4}$-D-MAXI
	G1	165083	HEL-1-D-MAXI

On-off valves HE, D series, polymer

Product range overview D series service units, polymer

Type	Size	Pneumatic connection		Pressure regulation range [bar]	Grade of filtration [µm]		
		G¼	G½		5	40	
Service units							
FRC		Mini	■	-	■	■	■
Service unit combinations							
FRC-K		Mini	■	-	■	-	■
LFR-K		Mini	■	-	■	-	■
Individual devices							
Filter regulators LFR		Mini	■	-	■	■	■
Pressure regulators LR		Mini	■	-	■	-	-
Pressure regulator combinations LRB-K		Mini	-	■	■	-	-
On-off valves HE		Mini	■	-	-	-	-

On-off valves HE, D series, polymer

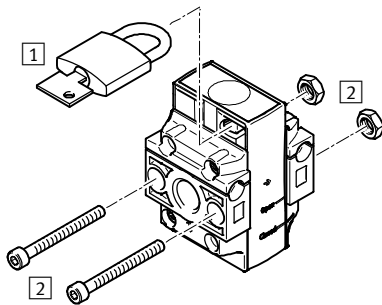
Product range overview D series service units, polymer

Type	Size	Condensate drain		Pressure display		Actuator lock	Regulating functions		→ Page/ Internet
		Manual rotary	Semi-automatic	With pressure gauge	Without pressure gauge		With secondary venting	With return flow function	
Service units									
FRC	Mini	■	■	■	-	■	■	■	frc
Service unit combinations									
FRC-K	Mini	■	-	■	-	■	■	■	frc
LFR-K	Mini	■	-	■	-	■	■	■	lfr
Individual devices									
Filter regulators LFR	Mini	■	■	■	■	■	■	■	lfr
Pressure regulators LR	Mini	-	-	■	■	■	■	■	lr
Pressure regulator combinations LRB-K	Mini	-	-	-	■	■	■	■	lrb
On-off valves HE	Mini	-	-	-	■	-	-	-	32

On-off valves HE, D series, polymer

Peripherals overview and type code

Peripherals overview



Mounting attachments and accessories

	→ Page/Internet
1 Padlock LRVS-D	35
2 Socket head screw with hexagon nut for mounting with subsequent service unit (2 included in scope of delivery) DIN 912-M4X40-8.8/DIN 934-M4-6AU	-
- Socket head screw for wall mounting (2 included in scope of delivery) DIN 84-M4X45-4.8	-

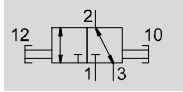
Type code

HE	-	1/4	-	DB	-	MINI
Basic function						
HE	On-off valve					
Pneumatic connection						
1/4	Thread G1/4					
Series						
DB	Series					
Size						
MINI						

On-off valves HE, D series, polymer

Technical data

Function



- - Flow rate
2,300 l/min
- - Temperature range
-5 ... +50 °C
- - Operating pressure
0 ... 10 bar



- 3/2-way manual shut-off valve
- The switching position is recognisable
- Commercially available padlock can be used for security

General technical data	
Size	Mini
Pneumatic connection 1, 2	G $\frac{1}{4}$
Design	On-off valve
Actuation type	Manual
Type of mounting	Inline installation Via through-holes
Assembly position	Any
Air purity class at the output	Compressed air in accordance with ISO 8573-1:2010 [7:4:4] Inert gases
Valve function	3/2-way valve, bistable
Actuator lock	Padlock (optional)
Manual override	None
Exhaust function	No flow control
Type of control	Direct
Sealing principle	Soft

Flow rate characteristic values	
Pneumatic connection 1, 2	G $\frac{1}{4}$
Standard nominal flow rate $q_{nN}^{1)}$ [l/min]	
In main flow direction 1 \rightarrow 2	2,300
In relief direction 2 \rightarrow 3	700
C value [l/s*bar]	
In main flow direction 1 \rightarrow 2	6.3
b value	
In main flow direction 1 \rightarrow 2	0.28

1) Measured at $p_1 = 6$ bar and $\Delta p = 1$ bar.

On-off valves HE, D series, polymer

Technical data

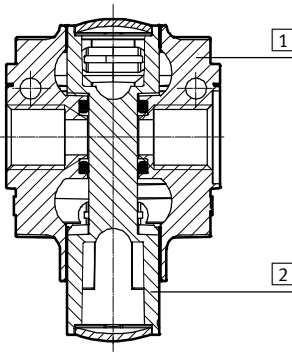
Operating and environmental conditions	
Size	Mini
Operating pressure [bar]	0 ... 10
Operating medium	Compressed air in accordance with ISO 8573-1:2010 [7:4:4]
	Inert gases
Note on operating/pilot medium	Operation with lubricated medium not possible
Ambient temperature [°C]	-5 ... +50
Temperature of medium [°C]	-5 ... +50
Corrosion resistance class CRC ¹⁾	1

1) Corrosion resistance class CRC 1 to Festo standard FN 940070
 Low corrosion stress. For dry indoor applications or transport and storage protection. Also applies to parts behind covers, in the non-visible interior area, and parts which are covered in the application (e.g. drive trunnions).

Weight [g]	
Size	Mini
On-off valve	66

Materials

Sectional view



On-off valve	Mini
1 Housing	PA reinforced
2 Piston spool	POM
- Seals	FPM
Note on materials	RoHS-compliant

Dimensions

Mini Download CAD data → www.festo.com

1 Socket head screw with hexagon nut for mounting with subsequent service unit (2 included in scope of delivery)

2 Socket head screw for wall mounting (2 included in scope of delivery)

→ Flow direction


Type	B1	B2	B3	B4	B5	D1	D2	D3	H1	H2	L1	L2	L3	L4
HE-1/4-DB	44	34	19	5	7	G1/4	M4	M4	41	9	66	42	11	10

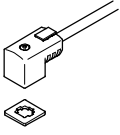
Ordering data			
Size	Connection	Part No.	Type
Mini	G1/4	3563687	HE-1/4-DB-MINI


On-off/soft-start valves HE/HEE/HEP/HEL, D series


FESTO

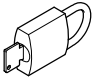
Accessories

Ordering data – Plug socket MSSD				Technical data → Internet: mssd	
	Description	Electrical connection	Type of mounting cable connection	Part No.	Type
	For HEE	3-pin	Clamping screws	151687	MSSD-EB
		4-pin	Insulation displacement technology	192745	MSSD-EB-S-M14

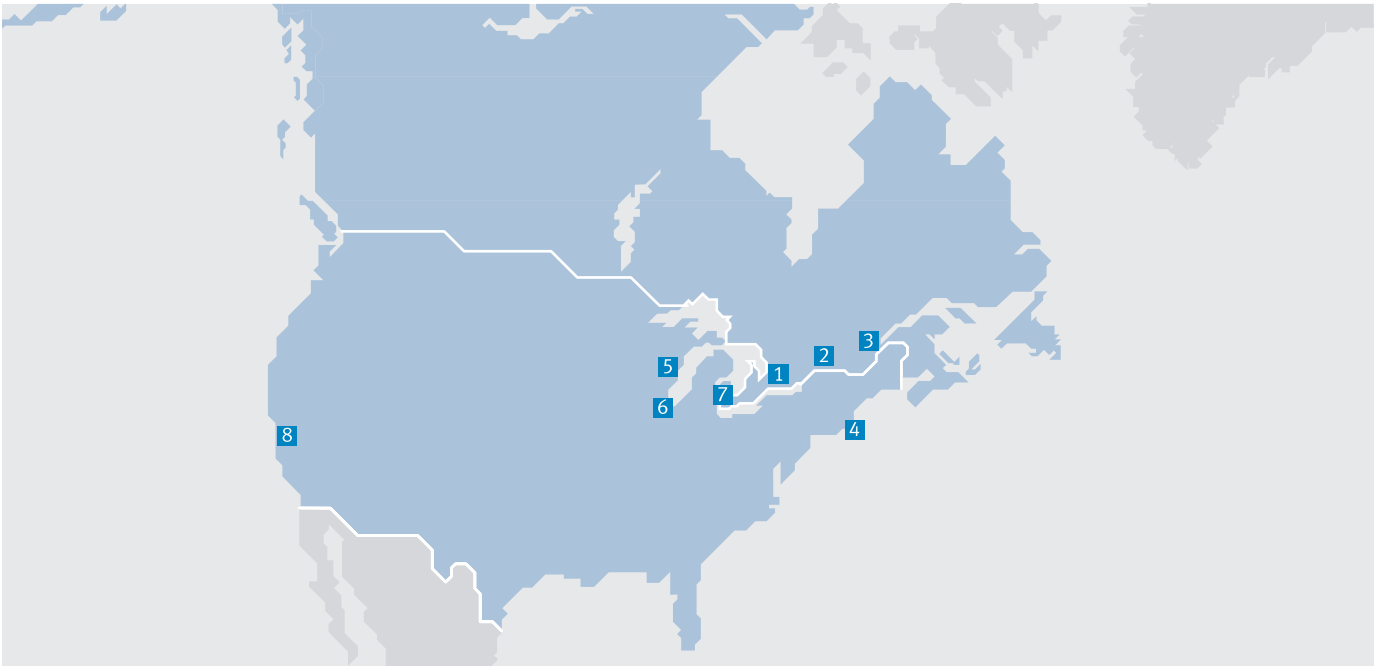
Ordering data – Plug socket with cable KMEB						Technical data → Internet: kmeb	
	Description	Operating voltage range	Electrical connection	Switching status display	Cable length [m]	Part No.	Type
	For HEE	24 V DC	3-pin	LED	2.5	151688	KMEB-1-24-2,5-LED
					5	151689	KMEB-1-24-5-LED
					10	193457	KMEB-1-24-10-LED
		230 V AC	3-pin	–	2.5	151690	KMEB-1-230AC-2,5
					5	151691	KMEB-1-230AC-5

Ordering data – Illuminating seal MEB-LD			Technical data → Internet: meb	
	Description	Operating voltage range	Part No.	Type
	for plug socket with cable KMEB and plug socket MSSD-EB	12 ... 24 V DC	151717	MEB-LD-12-24DC
		230 V DC/AC ±10%	151718	MEB-LD-230AC

Ordering data – Silencer U			Technical data → Internet: u	
	Pneumatic connection	Part No.	Type	
	G1/8	6841	U-1/8-B	
	G1/4	6842	U-1/4-B	
	G3/8	6843	U-3/8-B	
	G1/2	6844	U-1/2-B	
	G3/4	6845	U-3/4-B	
	G1	151990	U-1-B	

Ordering data – Padlock LRV5-D			
	Weight [g]	Part No.	Type
	120	193786	LRV5-D

Festo North America



**1 Festo Canada
Headquarters
Festo Inc.**
5300 Explorer Drive
Mississauga, ON
L4W 5G4

2 Montréal
5600, Trans-Canada
Pointe-Claire, QC
H9R 1B6

3 Québec City
2930, rue Watt#117
Québec, QC
G1X 4G3



**4 Festo United States
Headquarters
Festo Corporation**
395 Moreland Road
Hauppauge, NY
11788

5 Appleton
North 922 Tower View Drive, Suite N
Greenville, WI
54942

7 Detroit
1441 West Long Lake Road
Troy, MI
48098

6 Chicago
85 W Algonquin - Suite 340
Arlington Heights, IL
60005

8 Silicon Valley
4935 Southfront Road, Suite F
Livermore, CA
94550

Festo Regional Contact Center

Canadian Customers

Commercial Support:
Tel: 1 877 GO FESTO (1 877 463 3786)
Fax: 1 877 FX FESTO (1 877 393 3786)
Email: festo.canada@ca.festo.com

Technical Support:
Tel: 1 866 GO FESTO (1 866 463 3786)
Fax: 1 877 FX FESTO (1 877 393 3786)
Email: technical.support@ca.festo.com

USA Customers

Commercial Support:
Tel: 1 800 99 FESTO (1 800 993 3786)
Fax: 1 800 96 FESTO (1 800 963 3786)
Email: customer.service@us.festo.com

Technical Support:
Tel: 1 866 GO FESTO (1 866 463 3786)
Fax: 1 800 96 FESTO (1 800 963 3786)
Email: product.support@us.festo.com