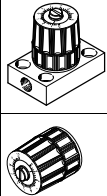


Precision one-way flow control valves GRP



# Precision one-way flow control valves GRP

Product range overview and type codes

Product range overview									
Version	Valve function	Version	Type	Connection direction	Pneumatic connection 1	Pneumatic connection 2	qnN <sup>1)</sup> [l/min]	Adjustment component	→ Page/Internet
Precision one-way flow control valve	Metal One-way flow control function		GRP	-	G <sup>1</sup> / <sub>8</sub>	G <sup>1</sup> / <sub>8</sub>	40.7 ... 75.8	Rotary knob with scale	3
				-	PK-3, PK-4	PK-3, PK-4	3.8 ... 75.8	Rotary knob with scale	

1) Standard nominal flow rate in direction of flow control.

## Type codes

GRP	-	70	-	1/8	-	AL
-----	---	----	---	-----	---	----

Type	
GRP	Precision one-way flow control valve

Size	
10, 70, 160	

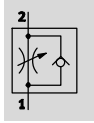
Pneumatic connection 1, 2	
Size 70, 160	
1/8	Thread G <sup>1</sup> / <sub>8</sub>
Size 10, 70	
PK-3	Push-in connector for tubing with 3 mm I.D.
Size 160	
PK-4	Push-in connector for tubing with 4 mm I.D.

Sub-base material	
Thread G <sup>1</sup> / <sub>8</sub>	
AL	Wrought aluminium alloy

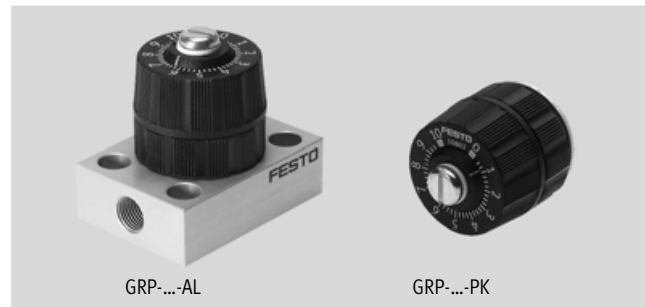
# Precision one-way flow control valves GRP

Technical data

Function



- - Flow rate  
3.8 ... 75.8 l/min
- - Temperature range  
-10 ... +50 °C
- - Operating pressure  
0 ... 8 bar



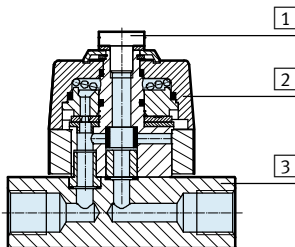
General technical data			
Valve function	One-way flow control function		
Type	GRP-...-AL	GRP-...-PK	
Pneumatic connection 2	G $\frac{1}{8}$	PK-3	PK-4
Pneumatic connection 1	G $\frac{1}{8}$	PK-3	PK-4
Adjustment component	Rotary knob with scale		
Actuation type	Manual		
Type of mounting	On sub-base	Front panel mounting	
Mounting position	Any		

- - Note: This product conforms to ISO 1179-1 and to ISO 228-1

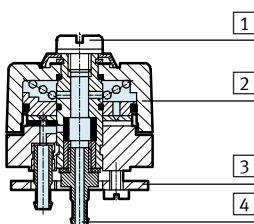
Operating and environmental conditions		
Operating pressure	[bar]	0 ... 8
Operating pressure 2 → 1	[bar]	0 ... 8
Operating medium	Compressed air in accordance with ISO 8573-1:2010 [5:4:3] Inert gases	
Note on operating/pilot medium	Operation with lubricated medium not possible	
Ambient temperature	[°C]	-10 ... +50
Temperature of medium	[°C]	-10 ... +50

## Materials

Sectional view



Precision one-way flow control valve GRP-...-AL		
1	Screws	Steel
2	Housing	PA, reinforced
3	Sub-base	Wrought aluminium alloy
-	Seals	NBR, PVC
Note on materials		RoHS-compliant Contains PWIS (paint-wetting impairment substances)



Precision one-way flow control valve GRP-...-PK		
1	Screws	Steel
2	Housing	PA, reinforced
3	Retainer	Wrought aluminium alloy
4	PK connections	Brass, wrought aluminium alloy
-	Seals	NBR, PVC
Note on materials		RoHS-compliant Contains PWIS (paint-wetting impairment substances)

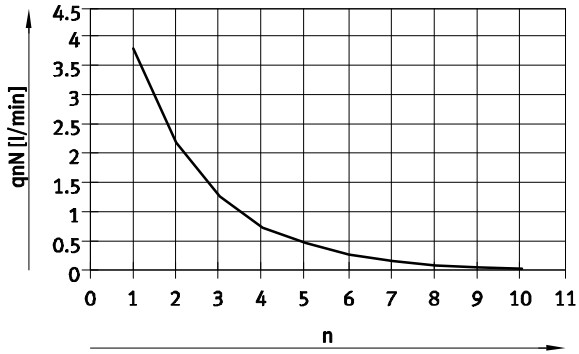
# Precision one-way flow control valves GRP

Technical data

FESTO

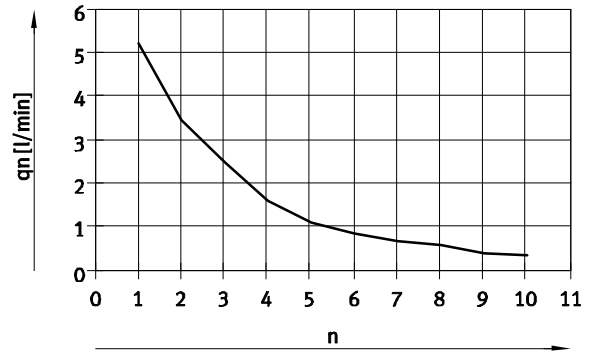
Standard nominal flow rate  $q_{nN}$  at 6 bar  $\rightarrow$  5 bar  
as a function of spindle rotations  $n$

Size 10

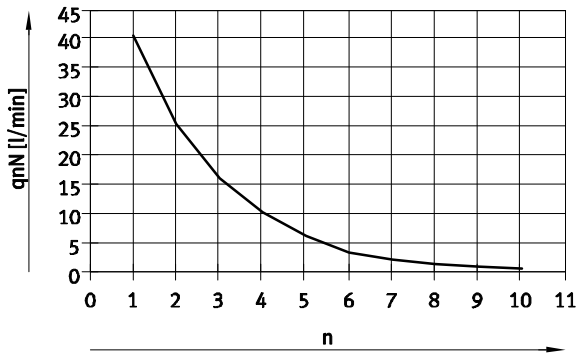


Standard flow rate  $q_n$  at 6 bar  $\rightarrow$  0 bar  
as a function of spindle rotations  $n$

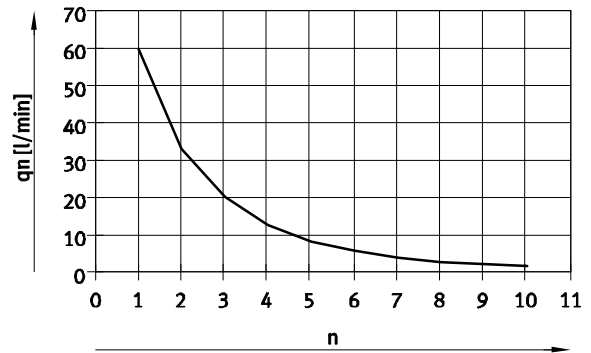
Size 10



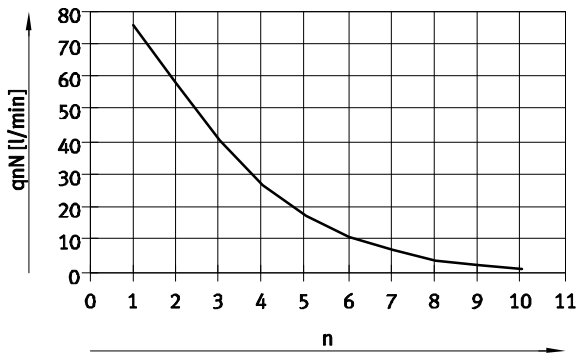
Size 70



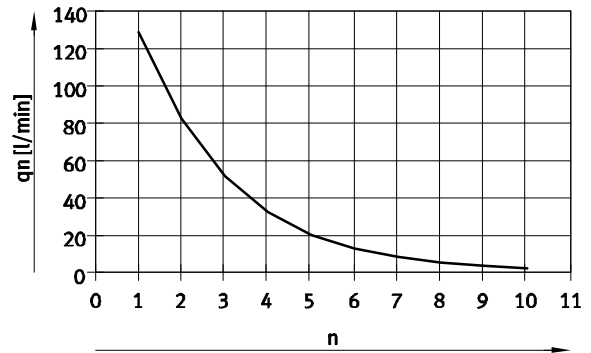
Size 70



Size 160



Size 160



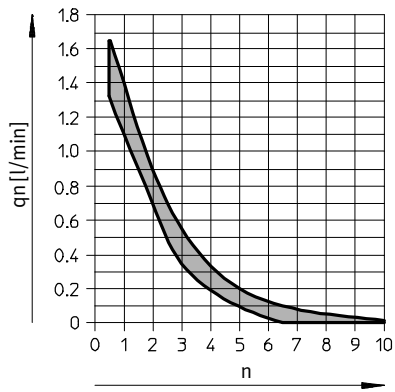
# Precision one-way flow control valves GRP

Technical data

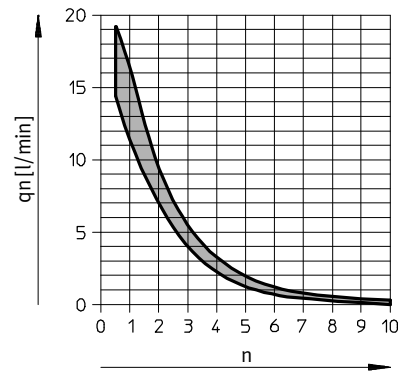
FESTO

Standard flow rate  $q_n$  at 1 bar  $\rightarrow$  0 bar as a function of spindle rotations  $n$

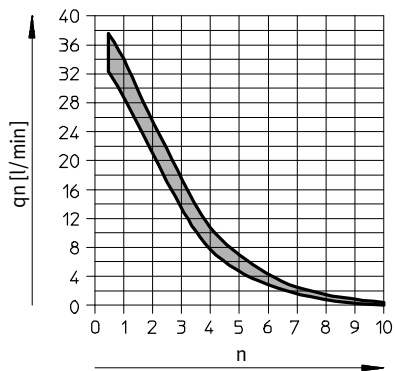
Size 10



Size 70



Size 160



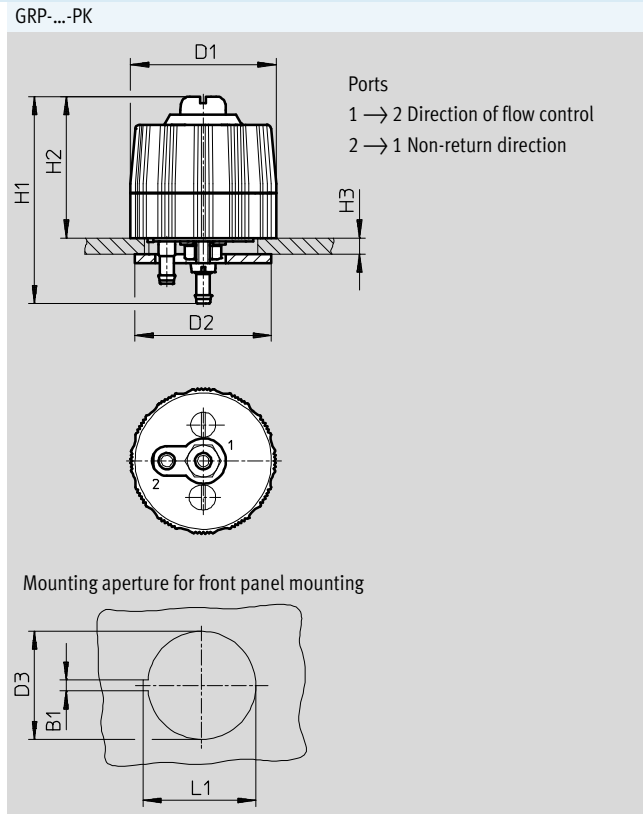
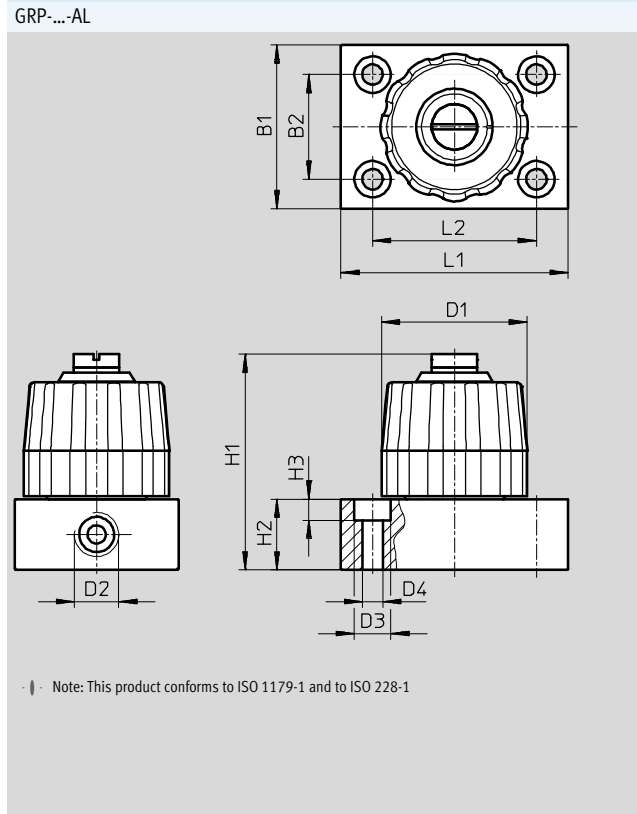
# Precision one-way flow control valves GRP

Technical data

FESTO

## Dimensions

Download CAD data → [www.festo.com](http://www.festo.com)



Type	Connection D2	B1	B2	D1	D3
GRP-70-1/8-AL	G1/8	36	23	32	8
GRP-160-1/8-AL					

Type	B1	D1	D2	D3
GRP-10/70-PK-3	2.6	32	30	22
GRP-160-PK-4				

Type	D4	H1	H2	H3	L1	L2
GRP-70-1/8-AL	4.5	47.4	15.5	4.6	50	36
GRP-160-1/8-AL						

Type	H1	H2	H3	L1
GRP-10/70-PK-3	45.6	31.2	1.5 ... 10	23.5
GRP-160-PK-4	44.5			

## Ordering data

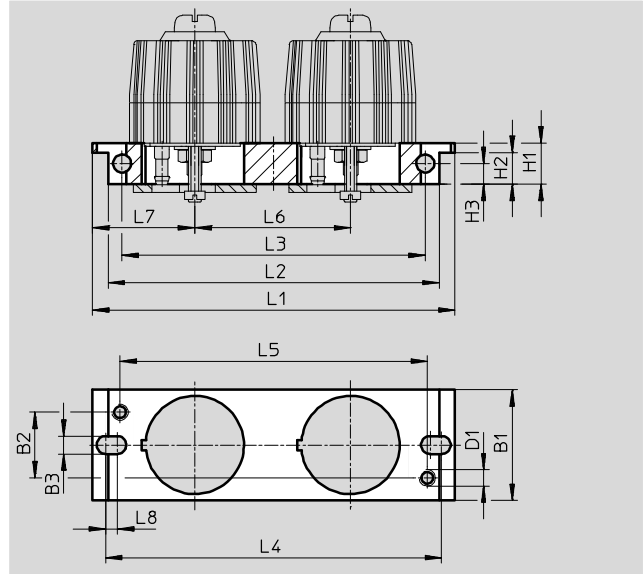
	Pneumatic connection		Standard nominal flow rate qnN at 6 bar → 5 bar		Standard flow rate qn at 6 bar → 0 bar		Standard flow rate qn at 1 bar → 0 bar		Weight [g]	Part No.	Type
			In direction of flow control	In non-return direction	In direction of flow control	In non-return direction	In direction of flow control	In non-return direction			
	1	2	[l/min]	[l/min]	[l/min]	[l/min]	[l/min]	[l/min]			
Rotary knob with scale											
	G1/8	G1/8	40.7	88	60	127	19	20 ... 60	110	542022	GRP-70-1/8-AL
			75.8	245	129	245	38	25 ... 90	110	542023	GRP-160-1/8-AL
	PK-3	PK-3	3.8	95	5.2	131	1.65	15 ... 50	48	12743	GRP-10-PK-3
			40.7	88	60	127	19	20 ... 60	48	10802	GRP-70-PK-3
	PK-4	PK-4	75.8	245	129	245	38	25 ... 90	48	12961	GRP-160-PK-4

# Precision one-way flow control valves GRP

Accessories

**Mounting plates APL-2N-GRP**  
for precision one-way flow control  
valve GRP-...-PK

Material: PA



Dimensions														
B1	B2	B3	D1	H1	H2	H3	L1	L2	L3	L4	L5	L6	L7	L8
26.8	16	4.4	M4	10	7.7	5	88.5	80.8	74	81	75	38	25	2.3

Ordering data			
	Bore Ø [mm]	Weight [g]	Part No. Type
	22	16	10391 APL-2N-GRP
	2 x 22	22	10392 APL-2N-GRPX2

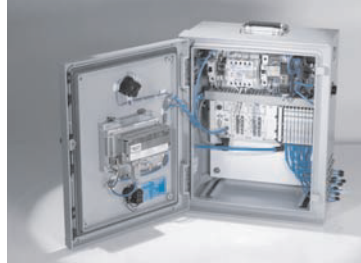
## Product Range and Company Overview

### A Complete Suite and Company Overview

Our experienced engineers provide complete support at every stage of your development process, including: conceptualization, analysis, engineering, design, assembly, documentation, validation, and production.



**Custom Automation Components**  
Complete custom engineered solutions



**Custom Control Cabinets**  
Comprehensive engineering support and on-site services



**Complete Systems**  
Shipment, stocking and storage services

### The Broadest Range of Automation Components

With a comprehensive line of more than 30,000 automation components, Festo is capable of solving the most complex automation requirements.



**Electromechanical**  
Electromechanical actuators, motors, controllers & drivers



**Pneumatics**  
Pneumatic linear and rotary actuators, valves, and air supply



**PLCs and I/O Devices**  
PLC's, operator interfaces, sensors and I/O devices

### Supporting Advanced Automation... As No One Else Can!

Festo is a leading global manufacturer of pneumatic and electromechanical systems, components and controls for industrial automation, with more than 16,000 employees in 60 national headquarters serving more than 180 countries. For more than 80 years, Festo has continuously elevated the state of manufacturing with innovations and optimized motion control solutions that deliver higher performing, more profitable automated manufacturing and processing equipment. Our dedication to the advancement of automation extends beyond technology to the education and development of current and future automation and robotics designers with simulation tools, teaching programs, and on-site services.

### Quality Assurance, ISO 9001 and ISO 14001 Certifications

Festo Corporation is committed to supply all Festo products and services that will meet or exceed our customers' requirements in product quality, delivery, customer service and satisfaction.

To meet this commitment, we strive to ensure a consistent, integrated, and systematic approach to management that will meet or exceed the requirements of the ISO 9001 standard for Quality Management and the ISO 14001 standard for Environmental Management.



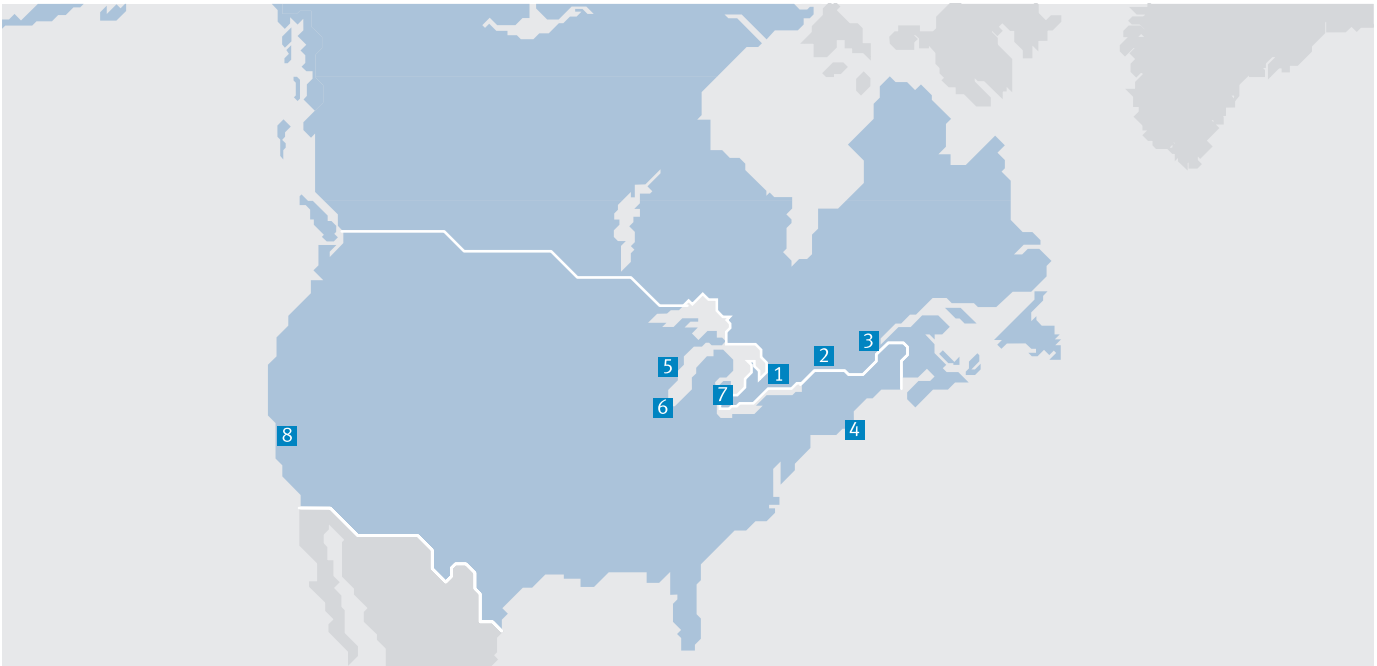
© Copyright 2013, Festo Corporation. While every effort is made to ensure that all dimensions and specifications are correct, Festo cannot guarantee that publications are completely free of any error, in particular typing or printing errors. Accordingly, Festo cannot be held responsible for the same. For Liability and Warranty conditions, refer to our "Terms and Conditions of Sale", available from your local Festo office. All rights reserved. No part of this publication may be reproduced, distributed, or transmitted in any form or by any means, electronic, mechanical, photocopying or otherwise, without the prior written permission of Festo. All technical data subject to change according to technical update.



Printed on recycled paper at New Horizon Graphic, Inc., FSC certified as an environmental friendly printing plant.



# Festo North America



**1 Festo Canada  
Headquarters  
Festo Inc.**  
5300 Explorer Drive  
Mississauga, ON  
L4W 5G4

**2 Montréal**  
5600, Trans-Canada  
Pointe-Claire, QC  
H9R 1B6

**3 Québec City**  
2930, rue Watt#117  
Québec, QC  
G1X 4G3



**4 Festo United States  
Headquarters  
Festo Corporation**  
395 Moreland Road  
Hauppauge, NY  
11788

**5 Appleton**  
North 922 Tower View Drive, Suite N  
Greenville, WI  
54942

**7 Detroit**  
1441 West Long Lake Road  
Troy, MI  
48098

**6 Chicago**  
85 W Algonquin - Suite 340  
Arlington Heights, IL  
60005

**8 Silicon Valley**  
4935 Southfront Road, Suite F  
Livermore, CA  
94550

## Festo Regional Contact Center

### Canadian Customers

Commercial Support:  
Tel: 1 877 GO FESTO (1 877 463 3786)  
Fax: 1 877 FX FESTO (1 877 393 3786)  
Email: festo.canada@ca.festo.com

Technical Support:  
Tel: 1 866 GO FESTO (1 866 463 3786)  
Fax: 1 877 FX FESTO (1 877 393 3786)  
Email: technical.support@ca.festo.com

### USA Customers

Commercial Support:  
Tel: 1 800 99 FESTO (1 800 993 3786)  
Fax: 1 800 96 FESTO (1 800 963 3786)  
Email: customer.service@us.festo.com

Technical Support:  
Tel: 1 866 GO FESTO (1 866 463 3786)  
Fax: 1 800 96 FESTO (1 800 963 3786)  
Email: product.support@us.festo.com