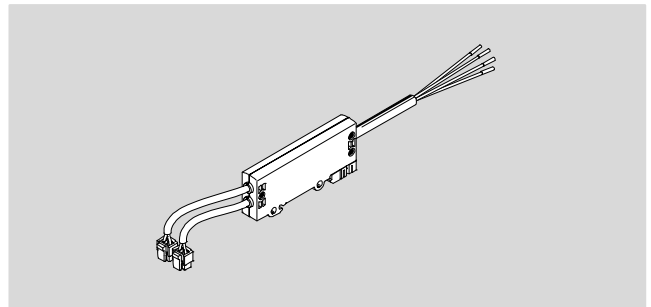


Connecting cable for valves, connection pattern H

Technical data

Connecting cable MHJ9-KMH

- With control electronics for valves MHJ9
- With plug sockets KMH
- Cable lengths 0.5 and 2.5 m



General technical data		
Type	MHJ9-KMH ...-MF	MHJ9-KMH ...-HF
Electric connection	2x straight socket KMH, 2-pin Cable, 4-wire	
Operating voltage range	[V DC] 12 ... 53	
Control signal voltage range	[V DC] 3 ... 30	
Note on power consumption per channel	[W] Low-current phase 2 [W] High-current phase 7	Low-current phase 2.8 High-current phase 17.1
Notes on operation	Power supply unit must be able to supply at least 1.7 A without voltage drop	Power supply unit must be able to supply at least 1.85 A without voltage drop
Additional functions	Spark arresting Reduction of holding current with energy recovery Safety shut-off	
Reverse polarity protection	For operating voltage	
Duty cycle	[%] 100	
	Observe notes on operating the solenoid valves.	
Cable property	For static applications	
Type of mounting	Via H-rail With through-hole	
Mounting position	Any	
Degree of protection to EN 60529	IP40	

Materials	
Housing	POM
Cable sheath	PVC
Note on materials	RoHS compliant

Operating and environmental conditions	
Ambient temperature	[°C] -5 ... +50
Corrosion resistance class CRC ¹⁾	2
CE mark (see declaration of conformity) ³⁾	In accordance with EU EMC Directive ²⁾

- 1) Corrosion resistance class CRC 2 to Festo standard FN 940070
Moderate corrosion stress. Indoor applications in which condensation may occur. External visible parts with primarily decorative requirements for the surface and which are in direct contact with the ambient atmosphere typical for industrial applications.
- 2) For information about the applicability of the component see the manufacturer's EC declaration of conformity at: www.festo.com/sp → User documentation.
If the component is subject to restrictions on usage in residential, office or commercial environments or small businesses, further measures to reduce the emitted interference may be necessary.
- 3) Additional information www.festo.com/sp → Certificates.

Connecting cable for valves, connection pattern H

Technical data

Dimensions Download CAD data → www.festo.com

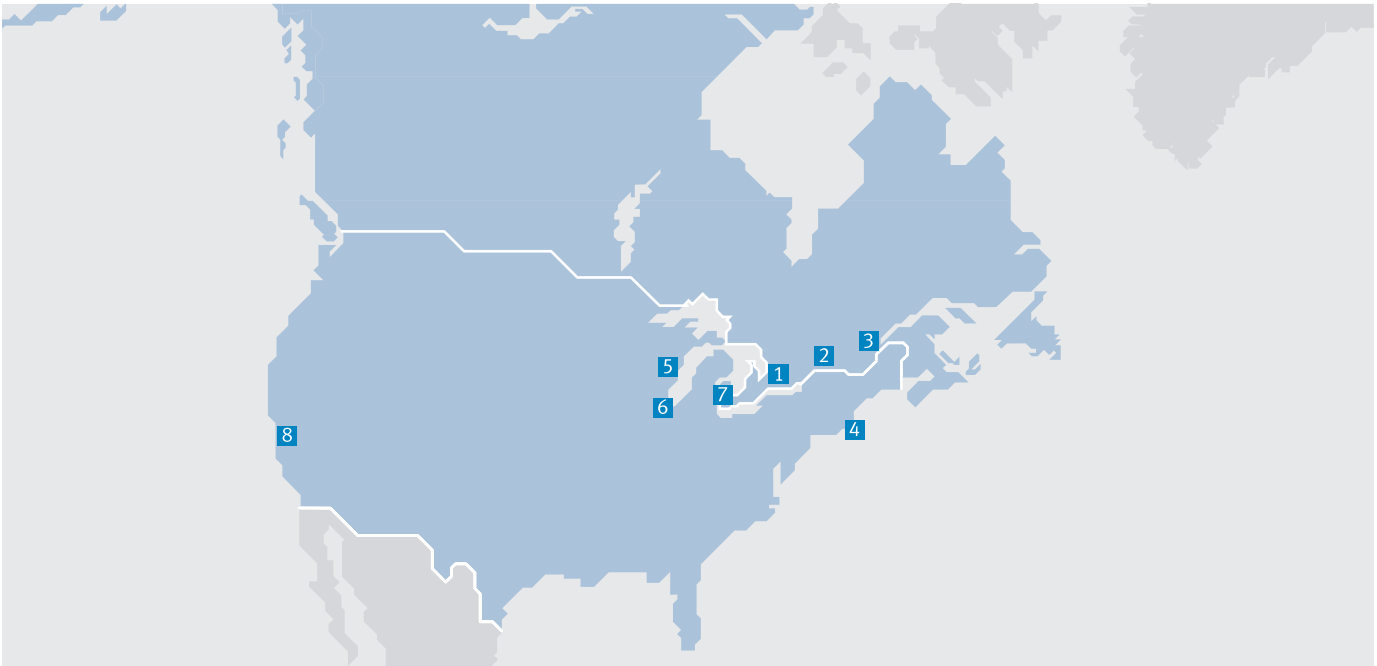
Wiring allocation:
 BU = GND
 BN = Operating voltage positive
 BK = Trigger 1
 WH = Trigger 2

1 H-rail
 2 Hole for wall mounting

Type	B1	B2	B3	D1	D2	D3	H1	H2	H3	L1	L2	L3	L4	L5	L6	L7	L8	L9
MHJ9-KMH-0,5	10	8	4	5	3.4	3.3	27	23	13	500	200	65	50	30	35	8	7	8
MHJ9-KMH-2,5										2500								

Ordering data		Length	Weight	Part No.	Type
Connecting cable					
	With control electronics for 2 valves LF-, MF- and HF/LP	0.5 m	40 g	553121	MHJ9-KMH-0,5-MF
		2.5 m	98 g	565519	MHJ9-KMH-2,5-MF
	With control electronics for 2 valves HF	0.5 m	40 g	562170	MHJ9-KMH-0,5-HF
		2.5 m	98 g	567505	MHJ9-KMH-2,5-HF
H-rail					
	H-rail to EN 60715, galvanised steel	2 m	600 g	35430	NRH-35-2000

Festo North America



**1 Festo Canada
Headquarters
Festo Inc.**
5300 Explorer Drive
Mississauga, ON
L4W 5G4

2 Montréal
5600, Trans-Canada
Pointe-Claire, QC
H9R 1B6

3 Québec City
2930, rue Watt#117
Québec, QC
G1X 4G3



**4 Festo United States
Headquarters
Festo Corporation**
395 Moreland Road
Hauppauge, NY
11788

5 Appleton
North 922 Tower View Drive, Suite N
Greenville, WI
54942

7 Detroit
1441 West Long Lake Road
Troy, MI
48098

6 Chicago
85 W Algonquin - Suite 340
Arlington Heights, IL
60005

8 Silicon Valley
4935 Southfront Road, Suite F
Livermore, CA
94550

Festo Regional Contact Center

Canadian Customers

Commercial Support:
Tel: 1 877 GO FESTO (1 877 463 3786)
Fax: 1 877 FX FESTO (1 877 393 3786)
Email: festo.canada@ca.festo.com

Technical Support:
Tel: 1 866 GO FESTO (1 866 463 3786)
Fax: 1 877 FX FESTO (1 877 393 3786)
Email: technical.support@ca.festo.com

USA Customers

Commercial Support:
Tel: 1 800 99 FESTO (1 800 993 3786)
Fax: 1 800 96 FESTO (1 800 963 3786)
Email: customer.service@us.festo.com

Technical Support:
Tel: 1 866 GO FESTO (1 866 463 3786)
Fax: 1 800 96 FESTO (1 800 963 3786)
Email: product.support@us.festo.com

Subject to change

Internet: www.festo.com/us