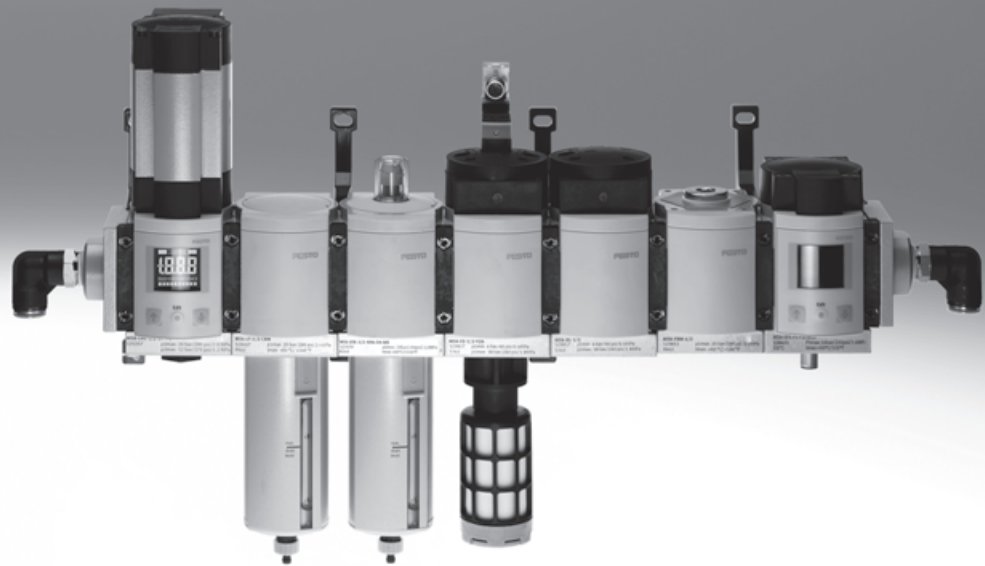


## Filter regulators MS-LFR, MS series

**FESTO**



Festo core product range  
Covers 80% of your automation tasks

Worldwide:

Always in stock

Superb:

Festo quality at an attractive price

Easy:

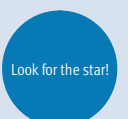
Reduces procurement and storing complexity



Ready for dispatch from the Festo factory in 24 hours  
Held in stock in 13 service centres worldwide  
More than 2200 products



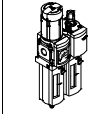
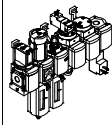
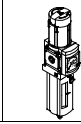
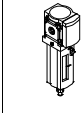
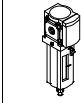
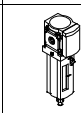
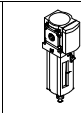
Ready for dispatch in 5 days maximum from stock  
Assembled for you in 4 service centres worldwide  
Up to  $6 \times 10^{12}$  variants per product series



# Filter regulators MS-LFR, MS series



Product range overview – MS series service units

Type	Size	Pneumatic connection in housing	Connecting plate	Pressure regulation range [bar]						Grade of filtration [µm]			
				0.05	0.05	0.1	0.3	0.1	0.5	0.01	1	5	40
Code			AG.../AQ...	0.7	2.5	4	7	12	16	A	B	C	E
<b>Service unit combinations</b>													
<b>MSB-FRC</b> 	4	G1/8, G1/4	G1/8, G1/4, G3/8	-	-	-	■	■	-	-	-	■	■
	6	G1/4, G3/8, G1/2	G1/4, G3/8, G1/2, G3/4	-	-	-	■	■	-	-	-	■	■
	9	-	-	-	-	-	-	-	-	-	-	-	-
	12	-	-	-	-	-	-	-	-	-	-	-	-
<b>Service unit combinations (further variants can be ordered using the configurator → Internet: msb4, msb6 or msb9)</b>													
<b>MSB</b> 	4	G1/4	G1/8, G1/4, G3/8	-	-	-	■	■	-	-	-	■	■
	6	G1/2	G1/4, G3/8, G1/2, G3/4	-	-	-	■	■	-	-	-	■	■
	9	-	-	-	-	-	-	-	-	-	-	-	-
	12	-	-	-	-	-	-	-	-	-	-	-	-
<b>Individual devices</b>													
<b>Filter regulators MS-LFR</b> 	4	G1/8, G1/4	G1/8, G1/4, G3/8	-	-	■	■	■	-	-	-	■	■
	6	G1/4, G3/8, G1/2	G1/4, G3/8, G1/2, G3/4	-	-	■	■	■	■	-	-	■	■
	9	G3/4, G1	G1/2, G3/4, G1, G1 1/4, G1 1/2	-	-	■	■	■	■	-	-	■	■
	12	-	G1, G1 1/4, G1 1/2, G2	-	-	-	■	■	■	-	-	■	■
<b>Filters MS-LF</b> 	4	G1/8, G1/4	G1/8, G1/4, G3/8	-	-	-	-	-	-	-	-	■	■
	6	G1/4, G3/8, G1/2	G1/4, G3/8, G1/2, G3/4	-	-	-	-	-	-	-	-	■	■
	9	G3/4, G1	G1/2, G3/4, G1, G1 1/4, G1 1/2	-	-	-	-	-	-	-	-	■	■
	12	-	G1, G1 1/4, G1 1/2, G2	-	-	-	-	-	-	-	-	■	■
<b>Fine and micro filters MS-LFM</b> 	4	G1/8, G1/4	G1/8, G1/4, G3/8	-	-	-	-	-	-	■	■	-	-
	6	G1/4, G3/8, G1/2	G1/4, G3/8, G1/2, G3/4	-	-	-	-	-	-	■	■	-	-
	9	G3/4, G1	G1/2, G3/4, G1, G1 1/4, G1 1/2	-	-	-	-	-	-	■	■	-	-
	12	-	G1, G1 1/4, G1 1/2, G2	-	-	-	-	-	-	■	■	-	-
<b>Activated carbon filters MS-LFX</b> 	4	G1/8, G1/4	G1/8, G1/4, G3/8	-	-	-	-	-	-	-	-	-	-
	6	G1/4, G3/8, G1/2	G1/4, G3/8, G1/2, G3/4	-	-	-	-	-	-	-	-	-	-
	9	G3/4, G1	G1/2, G3/4, G1, G1 1/4, G1 1/2	-	-	-	-	-	-	-	-	-	-
	12	-	G1, G1 1/4, G1 1/2, G2	-	-	-	-	-	-	-	-	-	-
<b>Water separators MS-LWS</b> 	4	-	-	-	-	-	-	-	-	-	-	-	-
	6	G1/4, G3/8, G1/2	G1/4, G3/8, G1/2, G3/4	-	-	-	-	-	-	-	-	-	-
	9	G3/4, G1	G1/2, G3/4, G1, G1 1/4, G1 1/2	-	-	-	-	-	-	-	-	-	-
	12	-	G1, G1 1/4, G1 1/2, G2	-	-	-	-	-	-	-	-	-	-

# Filter regulators MS-LFR, MS series

Product range overview – MS series service units



Type	Size	Bowl guard		Condensate drains				Pressure indicator					Security		Options		→ Page/ Internet
		Plastic bowl with plastic bowl guard	Metal bowl	Manual rotary	Semi-automatic	Fully automatic	External, fully automatic, electrical	Cover plate (without pressure gauge)	Integrated MS pressure gauge	Adapter plate for EN pressure gauge G1/8	Adapter plate for EN pressure gauge G1/4	Pressure sensor	Rotary knob with detent, lockable via accessories	Rotary knob with integrated lock	Silencer	Flow direction from right to left	
Code		R	U	M	H	V	E...	VS	AG	A8	A4	AD...	AS	E11	S	Z	
<b>Service unit combinations</b>																	
MSB-FRC	4	■	-	■	-	■	-	-	■	-	-	-	■	-	-	■	msb4
	6	■	■	■	-	■	-	-	■	-	-	-	■	-	-	■	msb6
	9	-	-	-	-	-	-	-	-	-	-	-	-	-	-	-	-
	12	-	-	-	-	-	-	-	-	-	-	-	-	-	-	-	-
<b>Service unit combinations</b>																	
MSB	4	■	■	■	-	■	-	-	■	-	-	-	■	-	-	■	msb4
	6	■	■	■	-	■	-	-	■	-	-	-	■	-	-	■	msb6
	9	-	-	-	-	-	-	-	-	-	-	-	-	-	-	-	-
	12	-	-	-	-	-	-	-	-	-	-	-	-	-	-	-	-
<b>Individual devices</b>																	
Filter regulators MS-LFR	4	■	■	■	■	■	-	■	■	■	■	■	■	■	-	■	8
	6	■	■	■	■	■	■	■	■	-	■	■	■	■	-	■	8
	9	-	■	■	■	■	■	■	■	-	■	■	■	■	-	■	26
	12	-	■	■	-	■	■	■	■	-	■	-	■	■	-	■	40
Filters MS-LF	4	■	■	■	■	■	-	-	-	-	-	-	-	-	-	■	ms4-lf
	6	■	■	■	■	■	■	-	-	-	-	-	-	-	-	■	ms6-lf
	9	-	■	■	■	■	■	-	-	-	-	-	-	-	-	■	ms9-lf
	12	-	■	■	-	■	■	-	-	-	-	-	-	-	-	■	ms12-lf
Fine and micro filters MS-LFM	4	■	■	■	■	■	-	-	-	-	-	-	-	-	-	■	ms4-lfm
	6	■	■	■	■	■	■	-	-	-	-	-	-	-	-	■	ms6-lfm
	9	-	■	■	■	■	■	-	-	-	-	-	-	-	-	■	ms9-lfm
	12	-	■	■	-	■	■	-	-	-	-	-	-	-	-	■	ms12-lfm
Activated carbon filters MS-LFX	4	■	■	-	-	-	-	-	-	-	-	-	-	-	-	■	ms4-lfx
	6	■	■	-	-	-	-	-	-	-	-	-	-	-	-	■	ms6-lfx
	9	-	■	-	-	-	-	-	-	-	-	-	-	-	-	■	ms9-lfx
	12	-	■	-	-	-	-	-	-	-	-	-	-	-	-	■	ms12-lfx
Water separators MS-LWS	4	-	-	-	-	-	-	-	-	-	-	-	-	-	-	-	-
	6	-	■	-	-	■	■	-	-	-	-	-	-	-	-	■	ms6-lws
	9	-	■	-	-	■	■	-	-	-	-	-	-	-	-	■	ms9-lws
	12	-	■	-	-	■	■	-	-	-	-	-	-	-	-	■	ms12-lws

# Filter regulators MS-LFR, MS series

Product range overview – MS series service units



Type	Size	Pneumatic connection in housing	Connecting plate	Pressure regulation range [bar]								Supply voltage			
				0.05	0.05	0.1	0.3	0.1	0.5	24 V DC, connection pattern to EN 175301	24 V DC, connection M12 to IEC 61076-2-101	110 V AC, connection pattern to EN 175301	230 V AC, connection pattern to EN 175301		
Code			AG.../AQ...	D2	D4	D5	D6	D7	D8	V24	V24P	V110	V230		
<b>Individual devices</b>															
Pressure regulators <b>MS-LR</b>		4	G1/8, G1/4	G1/8, G1/4, G3/8	-	-	■	■	■	-	-	-	-		
		6	G1/4, G3/8, G1/2	G1/4, G3/8, G1/2, G3/4	-	-	■	■	■	■	-	-	-		
		9	G3/4, G1	G1/2, G3/4, G1, G1 1/4, G1 1/2	-	-	■	■	■	■	-	-	-		
		12	-	G1, G1 1/4, G1 1/2, G2	-	-	-	■	■	■	-	-	-		
Pressure regulators <b>MS-LRB</b>		4	G1/4	G1/8, G1/4, G3/8	-	-	■	■	■	-	-	-	-		
		6	G1/2	G1/4, G3/8, G1/2, G3/4	-	-	■	■	■	■	-	-	-		
		9	-	-	-	-	-	-	-	-	-	-	-		
		12	-	-	-	-	-	-	-	-	-	-	-		
Precision pressure regulators <b>MS-LRP</b>		4	-	-	-	-	-	-	-	-	-	-	-		
		6	G1/4, G3/8, G1/2	G1/4, G3/8, G1/2, G3/4	■	■	■	-	■	-	-	-	-		
		9	-	-	-	-	-	-	-	-	-	-	-		
		12	-	-	-	-	-	-	-	-	-	-	-		
Precision pressure regulators <b>MS-LRPB</b>		4	-	-	-	-	-	-	-	-	-	-	-		
		6	G1/2	G1/4, G3/8, G1/2, G3/4	■	■	■	-	■	-	-	-	-		
		9	-	-	-	-	-	-	-	-	-	-	-		
		12	-	-	-	-	-	-	-	-	-	-	-		
Electrical pressure regulators <b>MS-LRE</b>		4	-	-	-	-	-	-	-	-	-	-	-		
		6	G1/4, G3/8, G1/2	G1/4, G3/8, G1/2, G3/4	-	-	■	■	■	■	-	-	-		
		9	-	-	-	-	-	-	-	-	-	-	-		
		12	-	-	-	-	-	-	-	-	-	-	-		
Lubricators <b>MS-LOE</b>		4	G1/8, G1/4	G1/8, G1/4, G3/8	-	-	-	-	-	-	-	-	-		
		6	G1/4, G3/8, G1/2	G1/4, G3/8, G1/2, G3/4	-	-	-	-	-	-	-	-	-		
		9	G3/4, G1	G1/2, G3/4, G1, G1 1/4, G1 1/2	-	-	-	-	-	-	-	-	-		
		12	-	G1, G1 1/4, G1 1/2, G2	-	-	-	-	-	-	-	-	-		
On-off valves, manually actuated <b>MS-EM(1)</b>		4	G1/8, G1/4	G1/8, G1/4, G3/8	-	-	-	-	-	-	-	-	-		
		6	G1/4, G3/8, G1/2	G1/4, G3/8, G1/2, G3/4	-	-	-	-	-	-	-	-	-		
		9	G3/4, G1	G1/2, G3/4, G1, G1 1/4, G1 1/2	-	-	-	-	-	-	-	-	-		
		12	-	G1, G1 1/4, G1 1/2, G2	-	-	-	-	-	-	-	-	-		
On-off valves, electrically actuated <b>MS-EE</b>		4	G1/8, G1/4	G1/8, G1/4, G3/8	-	-	-	-	-	■	-	■	■		
		6	G1/4, G3/8, G1/2	G1/4, G3/8, G1/2, G3/4	-	-	-	-	-	■	-	■	■		
		9	G3/4, G1	G1/2, G3/4, G1, G1 1/4, G1 1/2	-	-	-	-	-	■	■	■	■		
		12	-	G1, G1 1/4, G1 1/2, G2	-	-	-	-	-	■	■	■	■		
Soft-start valves, pneumatically actuated <b>MS-DL</b>		4	G1/8, G1/4	G1/8, G1/4, G3/8	-	-	-	-	-	-	-	-	-		
		6	G1/4, G3/8, G1/2	G1/4, G3/8, G1/2, G3/4	-	-	-	-	-	-	-	-	-		
		9	-	-	-	-	-	-	-	-	-	-	-		
		12	-	G1, G1 1/4, G1 1/2, G2	-	-	-	-	-	-	-	-	-		
Soft-start valves, electrically actuated <b>MS-DE</b>		4	G1/8, G1/4	G1/8, G1/4, G3/8	-	-	-	-	-	■	-	■	■		
		6	G1/4, G3/8, G1/2	G1/4, G3/8, G1/2, G3/4	-	-	-	-	-	■	-	■	■		
		9	-	-	-	-	-	-	-	-	-	-	-		
		12	-	G1, G1 1/4, G1 1/2, G2	-	-	-	-	-	-	■	■	■	■	

# Filter regulators MS-LFR, MS series

Product range overview – MS series service units



Type	Size	Bowl guard		Pressure indicator				Security			Options		→ Page/ Internet
		Plastic bowl with plastic bowl guard	Metal bowl	Cover plate (without pressure gauge)	Integrated MS pressure gauge	Adapter plate for EN pressure gauge G1/8	Adapter plate for EN pressure gauge G1/4	Pressure sensor	Rotary knob with detent, lockable via accessories	Rotary knob with integrated lock	Silencer	Flow direction from right to left	
Code		R	U	VS	AG	A8	A4	AD...	AS	E11	S	Z	
<b>Individual devices</b>													
Pressure regulators <b>MS-LR</b>	4	-	-	■	■	■	■	■	■	■	-	■	ms4-lr
	6	-	-	■	■	-	■	■	■	■	-	■	ms6-lr
	9	-	-	■	■	-	■	■	■	■	-	■	ms9-lr
	12	-	-	■	■	-	■	-	■	■	-	■	ms12-lr
Pressure regulators <b>MS-LRB</b>	4	-	-	■	■	■	■	■	■	■	-	■	ms4-lrb
	6	-	-	■	■	-	■	■	■	■	-	■	ms6-lrb
	9	-	-	-	-	-	-	-	-	-	-	-	-
	12	-	-	-	-	-	-	-	-	-	-	-	-
Precision pressure regulators <b>MS-LRP</b>	4	-	-	-	-	-	-	-	-	-	-	-	-
	6	-	-	■	-	■	■	■	■	■	-	■	ms6-lrp
	9	-	-	-	-	-	-	-	-	-	-	-	-
	12	-	-	-	-	-	-	-	-	-	-	-	-
Precision pressure regulators <b>MS-LRPB</b>	4	-	-	-	-	-	-	-	-	-	-	-	-
	6	-	-	■	-	■	■	■	■	■	-	■	ms6-lrpb
	9	-	-	-	-	-	-	-	-	-	-	-	-
	12	-	-	-	-	-	-	-	-	-	-	-	-
Electrical pressure regulators <b>MS-LRE</b>	4	-	-	-	-	-	-	-	-	-	-	-	-
	6	-	-	■	■	-	■	-	-	-	-	■	ms6-lre
	9	-	-	-	-	-	-	-	-	-	-	-	-
	12	-	-	-	-	-	-	-	-	-	-	-	-
Lubricators <b>MS-LOE</b>	4	■	■	-	-	-	-	-	-	-	-	■	ms4-loe
	6	■	■	-	-	-	-	-	-	-	-	■	ms6-loe
	9	-	■	-	-	-	-	-	-	-	-	■	ms9-loe
	12	-	■	-	-	-	-	-	-	-	-	■	ms12-loe
On-off valves, manually actuated <b>MS-EM(1)</b>	4	-	-	■	■	■	■	■	-	-	■	■	ms4-em1
	6	-	-	■	■	-	■	■	-	-	■	■	ms6-em1
	9	-	-	■	■	-	■	-	-	-	■	■	ms9-em
	12	-	-	■	■	-	■	-	-	-	■	■	ms12-em
On-off valves, electrically actuated <b>MS-EE</b>	4	-	-	■	■	■	■	■	-	-	■	■	ms4-ee
	6	-	-	■	■	-	■	■	-	-	■	■	ms6-ee
	9	-	-	■	■	-	■	■	-	-	■	■	ms9-ee
	12	-	-	■	■	-	■	-	-	-	■	■	ms12-ee
Soft-start valves, pneumatically actuated <b>MS-DL</b>	4	-	-	■	■	■	■	■	-	-	-	■	ms4-dl
	6	-	-	■	■	-	■	■	-	-	-	■	ms6-dl
	9	-	-	-	-	-	-	-	-	-	-	-	-
	12	-	-	■	■	-	■	-	-	-	-	■	ms12-dl
Soft-start valves, electrically actuated <b>MS-DE</b>	4	-	-	■	■	■	■	■	-	-	-	■	ms4-de
	6	-	-	■	■	-	■	■	-	-	-	■	ms6-de
	9	-	-	-	-	-	-	-	-	-	-	-	-
	12	-	-	■	■	-	■	-	-	-	-	■	ms12-de

# Filter regulators MS-LFR, MS series

Product range overview – MS series service units



Type	Size	Pneumatic connection in housing	Connecting plate	Performance Level			Supply voltage					
				Category 1, 1-channel	Category 3, 2-channel	Category 4, 2-channel with self-monitoring	24 V DC, Sub-D, 9-pin	24 V DC, connection pattern to EN 175301	24 V DC, connection M12 to IEC 61076-2-101	110/230 V AC, connection pattern to EN 175301	22 ... 31.6 V DC, connection M12, AS-i Safety at Work	
Code			AG.../AQ...	C	D	E	10V24	10V24/ V24	10V24P	V110/ V230	ASIS	
<b>Individual devices</b>												
Soft start and exhaust valves <b>MS-SV-C</b>		4	–									
		6	G1/2	G1/4, G3/8, G1/2, G3/4	■	–	–	–	■	■	–	–
		9	G3/4, G1	G1/2, G3/4, G1, G1 1/4, G1 1/2	■	–	–	–	■	■	■	–
		12	–									
Soft start and exhaust valves <b>MS-SV-D</b>		4	–									
		6	G1/2	G1/4, G3/8, G1/2, G3/4	–	■	–	–	■	■	–	–
		9	–									
		12	–									
Soft start and exhaust valves <b>MS-SV-E</b>		4	–									
		6	G1/2	G1/4, G3/8, G1/2, G3/4	–	–	■	■	–	–	–	■
		9	–									
		12	–									
Membrane air dryers <b>MS-LDM1</b>		4	G1/8, G1/4	G1/8, G1/4, G3/8	–	–	–	–	–	–	–	–
		6	G1/4, G3/8, G1/2	G1/4, G3/8, G1/2, G3/4	–	–	–	–	–	–	–	–
		9	–									
		12	–									
Branching modules <b>MS-FRM</b>		4	G1/8, G1/4	G1/8, G1/4, G3/8	–	–	–	–	–	–	–	–
		6	G1/4, G3/8, G1/2	G1/4, G3/8, G1/2, G3/4	–	–	–	–	–	–	–	–
		9	G3/4, G1	G1/2, G3/4, G1, G1 1/4, G1 1/2	–	–	–	–	–	–	–	–
		12	–	G1, G1 1/4, G1 1/2, G2	–	–	–	–	–	–	–	–
Distributor blocks <b>MS-FRM-FRZ</b>		4	G1/4	–	–	–	–	–	–	–	–	–
		6	G1/2	–	–	–	–	–	–	–	–	–
		9	–									
		12	–									
Flow sensors <b>SFAM</b>		4	–									
		6	G1/2	G1/2	–	–	–	–	–	–	–	–
		9	–	G1, G1 1/2	–	–	–	–	–	–	–	–
		12	–									

# Filter regulators MS-LFR, MS series

Product range overview – MS series service units

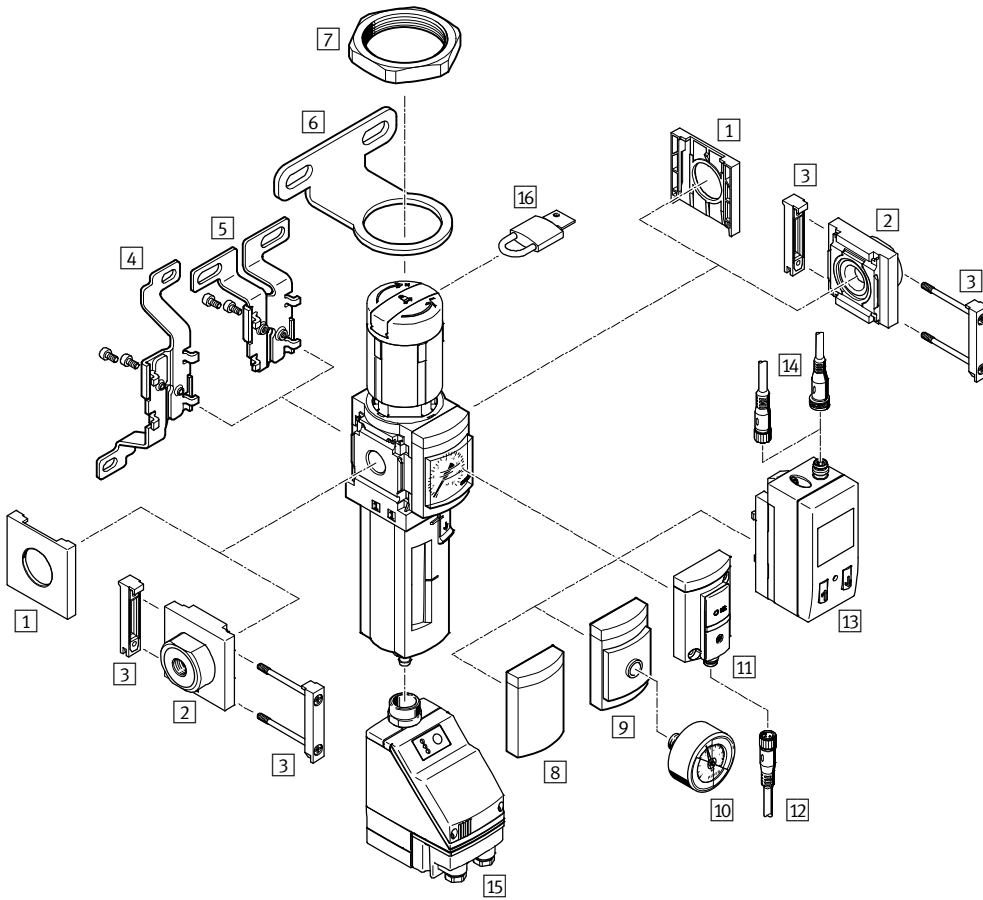


Type	Size	Bowl guard		Pressure indicator					Switch output		Options		→ Page/ Internet
		Plastic bowl with plastic bowl guard	Metal bowl	Cover plate (without pressure gauge)	Integrated MS pressure gauge	Adapter plate for EN pressure gauge G <sup>3</sup> / <sub>8</sub>	Adapter plate for EN pressure gauge G <sup>1</sup> / <sub>4</sub>	Pressure sensor	2x PNP or NPN, 1 analogue output 4 ... 20 mA	2x PNP or NPN, 1 analogue output 0 ... 10 V	Silencer	Flow direction from right to left	
Code		R	U	VS	AG	A8	A4	AD...	2SA	2SV	S	Z/R	
<b>Individual devices</b>													
Soft start and exhaust valves <b>MS-SV-C</b>	4	-	-	-	-	-	-	-	-	-	-	-	-
	6	-	-	■	■	-	■	■	-	-	■	■	ms6-sv
	9	-	-	■	■	-	■	■	-	-	■	■	ms9-sv
	12	-	-	-	-	-	-	-	-	-	-	-	-
Soft start and exhaust valves <b>MS-SV-D</b>	4	-	-	-	-	-	-	-	-	-	-	-	-
	6	-	-	■	■	-	■	■	-	-	■	■	ms6-sv
	9	-	-	-	-	-	-	-	-	-	-	-	-
Soft start and exhaust valves <b>MS-SV-E</b>	4	-	-	-	-	-	-	-	-	-	-	-	-
	6	-	-	■	■	-	■	■	-	-	■	■	ms6-sv
	9	-	-	-	-	-	-	-	-	-	-	-	-
Membrane air dryers <b>MS-LDM1</b>	4	-	■	-	-	-	-	-	-	-	-	■	ms4-ldm1
	6	-	■	-	-	-	-	-	-	-	-	■	ms6-ldm1
	9	-	-	-	-	-	-	-	-	-	-	-	-
	12	-	-	-	-	-	-	-	-	-	-	-	-
Branching modules <b>MS-FRM</b>	4	-	-	■	■	■	■	■	-	-	-	■	ms4-frm
	6	-	-	■	■	-	■	■	-	-	-	■	ms6-frm
	9	-	-	■	■	-	■	■	-	-	-	■	ms9-frm
	12	-	-	■	-	-	-	-	-	-	-	-	ms12-frm
Distributor blocks <b>MS-FRM-FRZ</b>	4	-	-	-	-	-	-	-	-	-	-	■	ms4-frm
	6	-	-	-	-	-	-	-	-	-	-	■	ms6-frm
	9	-	-	-	-	-	-	-	-	-	-	-	-
	12	-	-	-	-	-	-	-	-	-	-	-	-
Flow sensors <b>SFAM</b>	4	-	-	-	-	-	-	-	-	-	-	-	-
	6	-	-	-	-	-	-	-	■	■	-	■	sfam-62
	9	-	-	-	-	-	-	-	■	■	-	■	sfam-90
	12	-	-	-	-	-	-	-	-	-	-	-	-

# Filter regulators MS4/MS6-LFR, MS series

Peripherals overview

## Filter regulator MS4/MS6-LFR



Note

Additional accessories:

- Module connector for combination with size MS4/MS6 or size MS9 → Internet: amv, rmv, armv
- Adapter plate for mounting on profiles → Internet: ipm-80, ipm-40-80, ipm-80-80



# Filter regulators MS4/MS6-LFR, MS series

Peripherals overview

Mounting attachments and accessories						
		Individual device		Combination		→ Page/ Internet
		Without connecting plate	With connecting plate	Without connecting plate	With connecting plate	
1	Cover cap MS4/6-END	■	-	■	-	ms4-end, ms6-end
2	Connecting plate-SET MS4/6-AG...	-	■	-	■	ms4-ag, ms6-ag
	Connecting plate-SET MS4/6-AQ...	-	■	-	■	ms4-aq, ms6-aq
3	Module connector MS4/6-MV	-	■	■	■	ms4-mv, ms6-mv
4	Mounting bracket MS4/6-WB	■	■	-	-	ms4-wb, ms6-wb
5	Mounting bracket MS4-WBM	■	■	-	-	ms4-wbm
6	Mounting bracket MS4/6-WR	■	■	-	-	ms4-wr, ms6-wr
7	Hex nut MS4/6-WRS	■	■	■	■	ms4-wrs, ms6-wrs
8	Cover plate VS	■	■	■	■	24
9	Adapter plate for EN pressure gauge 1/8/1/4 A8/A4	■	■	■	■	24
10	Pressure gauge MA	■	■	■	■	50
11	Pressure sensor without display AD7 ... AD10	■	■	■	■	24
12	Connecting cable NEBU-M8...-LE3	■	■	■	■	50
13	Pressure sensor with display AD1 ... AD4	■	■	■	■	24
14	Connecting cable NEBU-M8...-LE3/NEBU-M12...-LE4	■	■	■	■	50
15	Fully automatic condensate drain, electrically actuated E2/E3/E4	■	■	■	■	24
16	Padlock LRVS-D	■	■	■	■	50
-	Mounting bracket MS4/6-WP/WPB/WPE/WPM	-	■	■	■	ms4-wp, ms6-wp

# Filter regulators MS4/MS6-LFR, MS series

Type codes

MS 6 - LFR - 1/2 - D7 - E R M - AS

### Series

MS	Standard service unit
----	-----------------------

### Size

4	Grid dimension 40 mm
6	Grid dimension 62 mm

### Service function

LFR	Filter regulator
-----	------------------

### Pneumatic connection

MS4	
1/8	Female thread G1/8
1/4	Female thread G1/4
MS6	
1/4	Female thread G1/4
3/8	Female thread G3/8
1/2	Female thread G1/2

### Pressure regulation range

D6	Pressure regulation range 0.3 ... 7 bar
D7	Pressure regulation range 0.5 ... 12 bar

### Grade of filtration

C	5 µm
E	40 µm

### Bowl guard

R	Plastic bowl guard
U	Integrated as metal bowl

### Condensate drain

M	Manual rotary
V	Fully automatic

### Security

AS	Rotary knob with detent, lockable via accessories
----	---

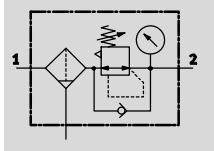
### Additional variants can be ordered using the modular system → 24

- Pneumatic connection
- Pressure regulation range
- Condensate drain
- Pressure gauge alternatives
- Alternative pressure gauge scale
- Secondary venting
- Rotary knob
- Security
- Type of mounting
- EU certification
- UL certification
- Flow direction

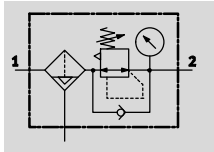
# Filter regulators MS4/MS6-LFR, MS series

Technical data

Manual rotary condensate drain, with pressure gauge



Semi or fully automatic condensate drain, with pressure gauge



With this device, the filter and pressure regulator are combined into a single unit. The sintered filter with water separator removes contamination, pipe sinter, rust and condensate from the compressed air.

- - Flow rate  
850 ... 7,200 l/min
- - Temperature range  
-10 ... +60 °C
- - Operating pressure  
0.8 ... 20 bar
- - [www.festo.com](http://www.festo.com)



- Good regulation characteristics with low hysteresis and primary pressure compensation
- Good particle and condensate separation
- Available with or without secondary venting
- High flow rate
- Directly-actuated diaphragm regulator
- Four pressure regulation ranges: 0.3 ... 4 bar, 0.3 ... 7 bar, 0.5 ... 12 bar and 0.5 ... 16 bar
- Regulator lock for protecting the values against adjustment
- Two pressure gauge connections for different fitting options
- Return flow option for exhausting from output 2 to output 1 already integrated
- Optional pressure sensor
- Optional device variant EX4 for use in potentially explosive areas in zones 1, 2, 21 and 22
- Choice of filter cartridges: 5 µm or 40 µm
- New filter cartridges → 49

General technical data		
Size	MS4	MS6
Pneumatic connection 1, 2		
Female thread	G $\frac{1}{8}$ or G $\frac{1}{4}$	G $\frac{1}{4}$ , G $\frac{3}{8}$ or G $\frac{1}{2}$
Connecting plate AG...	G $\frac{1}{8}$ , G $\frac{1}{4}$ or G $\frac{3}{8}$	G $\frac{1}{4}$ , G $\frac{3}{8}$ , G $\frac{1}{2}$ or G $\frac{3}{4}$
Connecting plate AQ...	NPT $\frac{1}{8}$ , NPT $\frac{1}{4}$ or NPT $\frac{3}{8}$	NPT $\frac{1}{4}$ , NPT $\frac{3}{8}$ , NPT $\frac{1}{2}$ or NPT $\frac{3}{4}$
Constructional design	Filter regulator with/without pressure display	
Regulating function	Output pressure constant, with return flow action, with/without secondary venting	
Type of mounting	Via accessories In-line installation Front panel mounting	
Mounting position	Vertical $\pm 5^\circ$	
Grade of filtration [µm]	5 40	
Air purity class at the output	Compressed air in accordance with ISO 8573-1:2010 [6:4:4] (Grade of filtration 5 µm) Compressed air in accordance with ISO 8573-1:2010 [7:4:4] (Grade of filtration 40 µm)	
Bowl guard	Plastic bowl guard Integrated as metal bowl	
Condensate drain	Manual rotary Semi-automatic Fully automatic - Fully automatic, electrically actuated	
Regulator lock	Rotary knob with detent, lockable via accessories Rotary knob with integrated lock	

- - Note: This product conforms to ISO 1179-1 and to ISO 228-1

# Filter regulators MS4/MS6-LFR, MS series

FESTO

Technical data

General technical data				
Size	MS4		MS6	
Pressure regulation range	D5 [bar]	0.3 ... 4		
	D6 [bar]	0.3 ... 7		
	D7 [bar]	0.5 ... 12 (0.5 ... 10 with pressure sensor variant AD... or with UL certification)		
	D8 [bar]	–		0.5 ... 16 (0.5 ... 10 with UL certification)
Max. hysteresis	[bar]	0.25		
Pressure display	Via pressure sensor for displaying output pressure via LCD display and electrical output			
	Via pressure sensor for displaying output pressure via operational status indicator and electrical output			
	Via pressure gauge for displaying output pressure			
	Via pressure gauge with red/green scale for displaying output pressure			
	G <sup>1</sup> / <sub>8</sub> prepared	–		
G <sup>1</sup> / <sub>4</sub> prepared				
Max. condensate volume	[cm <sup>3</sup> ]	19 (with plastic bowl guard)		38
		25 (with metal bowl)		

Standard nominal flow rate q <sub>nN</sub> <sup>1)</sup> [l/min]						
Size	MS4			MS6		
Pneumatic connection	G <sup>1</sup> / <sub>8</sub>	G <sup>1</sup> / <sub>4</sub>		G <sup>1</sup> / <sub>4</sub>	G <sup>3</sup> / <sub>8</sub>	G <sup>1</sup> / <sub>2</sub>
D5 – Pressure regulation range 0.3 ... 4 bar						
Grade of filtration	5 μm	900 <sup>2)</sup>	1,800 <sup>2)</sup>	2,000 <sup>2)</sup>	5,500 <sup>2)</sup>	6,900 <sup>2)</sup>
	40 μm	1,100 <sup>2)</sup>	1,900 <sup>2)</sup>	2,200 <sup>2)</sup>	6,000 <sup>2)</sup>	7,200 <sup>2)</sup>
D6 – Pressure regulation range 0.3 ... 7 bar						
Grade of filtration	5 μm	900	1,500	2,700	5,000	5,600
	40 μm	1,000	1,700	2,800	5,700	6,200
D7 – Pressure regulation range 0.5 ... 12 bar						
Grade of filtration	5 μm	850	1,200	2,200	3,500	4,000
	40 μm	900	1,500	2,500	4,000	4,500
D8 – Pressure regulation range 0.5 ... 16 bar						
Grade of filtration	5 μm	–	–	2,000	3,300	3,800
	40 μm	–	–	2,300	3,500	4,000

1) Measured at p<sub>1</sub> = 10 bar and p<sub>2</sub> = 6 bar, Δp = 1 bar

2) Measured at p<sub>1</sub> = 10 bar and p<sub>2</sub> = 3 bar, Δp = 1 bar

· 125 l/min must be available for the fully automatic condensate drain to close correctly.

Operating and environmental conditions								
Condensate drain	Manual rotary M		Semi-automatic H		Fully automatic V		Fully automatic, electrical E2/E3/E4	
	MS4	MS6	MS4	MS6	MS4	MS6	MS6	
Operating pressure	[bar]	0.8 ... 14 (0.8 ... 10) <sup>1)</sup>	0.8 ... 20 (0.8 ... 10) <sup>1)</sup>	1.5 ... 12 (1.5 ... 10) <sup>1)</sup>	1.5 ... 12 (1.5 ... 10) <sup>1)</sup>	2 ... 12 (2 ... 10) <sup>1)</sup>	2 ... 12 (2 ... 10) <sup>1)</sup>	0.8 ... 16 (0.8 ... 10) <sup>1)</sup>
Operating medium	Compressed air in accordance with ISO 8573-1:2010		Compressed air in accordance with ISO 8573-1:2010		Compressed air in accordance with ISO 8573-1:2010		Compressed air in accordance with ISO 8573-1:2010	
	[-:4:-]		[-:4:-]		[7:4:-]		[-:4:-]	
Inert gases								
Ambient temperature	[°C]	-10 ... +60 (0 ... +50) <sup>2)</sup>		+5 ... +60 (+5 ... +50) <sup>2)</sup>		+5 ... +60 (+5 ... +50) <sup>2)</sup>		+1 ... +60 (+1 ... +50) <sup>2)</sup>
Temperature of medium	[°C]	-10 ... +60 (0 ... +50) <sup>2)</sup>		+5 ... +60 (+5 ... +50) <sup>2)</sup>		+5 ... +60 (+5 ... +50) <sup>2)</sup>		+1 ... +60 (+1 ... +50) <sup>2)</sup>
Storage temperature	[°C]	-10 ... +60		-10 ... +60		-10 ... +60		+1 ... +60
Corrosion resistance class CRC <sup>3)</sup>		2						
UL certification		cULus recognized (OL)						

1) Value in brackets applies to MS4/MS6-LFR with UL certification.

2) Value in brackets applies to MS4/MS6-LFR with pressure sensor AD...

3) Corrosion resistance class CRC 2 to Festo standard FN 940070

Moderate corrosion stress. Indoor applications in which condensation may occur. External visible parts with primarily decorative requirements for the surface and which are in direct contact with the ambient atmosphere typical for industrial applications.

# Filter regulators MS4/MS6-LFR, MS series

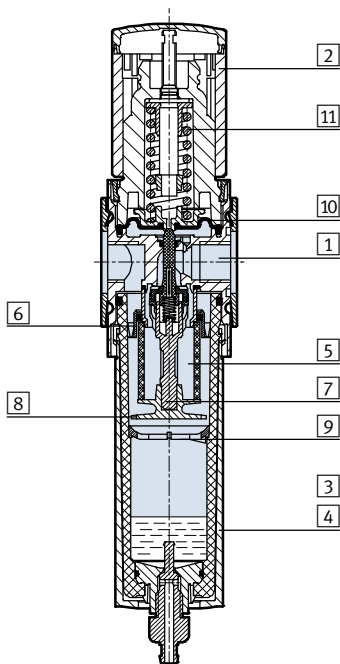
Technical data

ATEX	
EU certification	EX4
ATEX category gas	II 2G
Ex-ignition protection type gas	c T6 X
ATEX category dust	II 2D
EX-ignition protection type dust	c 60 °C X
ATEX ambient temperature	-10 °C ≤ Ta ≤ +60 °C (manual rotary condensate drain M)
	+5 °C ≤ Ta ≤ +60 °C (semi-automatic/fully automatic condensate drain H/V)
CE mark (see declaration of conformity)	To EU Explosion Protection Directive (ATEX)

Weight [g]				
Size	MS4		MS6	
Rotary knob	Without integrated lock E11	With integrated lock E11	Without integrated lock E11	With integrated lock E11
Filter regulator with plastic bowl guard R	275	400	875	1,145
Filter regulator with metal bowl U	475	600	1,087	1,627
Filter regulator with metal bowl U and fully automatic condensate drain, electrically actuated E2/E3/E4	-	-	1,800	2,070

## Materials

Sectional view



Filter regulator		
1	Housing	Die-cast aluminium
2	Rotary knob	PA/POM
	Rotary knob with integrated lock E11	Aluminium
3	Plastic bowl guard	PC
4	Metal bowl	Wrought aluminium alloy, die-cast aluminium
	Inspection window	PA
5	Filter element	PE
6	Spin disc	POM
7	Filter holder	POM
8	Separating plate	POM
9	Stabilising disc	POM
10	Diaphragm	NBR
11	Spring	Steel
-	Seals	NBR
Note on materials		RoHS-compliant (not with variant E2, E3 or E4) Free of copper and PTFE only with cover plate VS

# Filter regulators MS4/MS6-LFR, MS series

Technical data

## Standard flow rate $q_n$ as a function of output pressure $p_2$

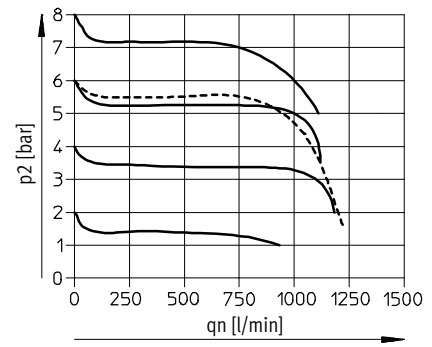
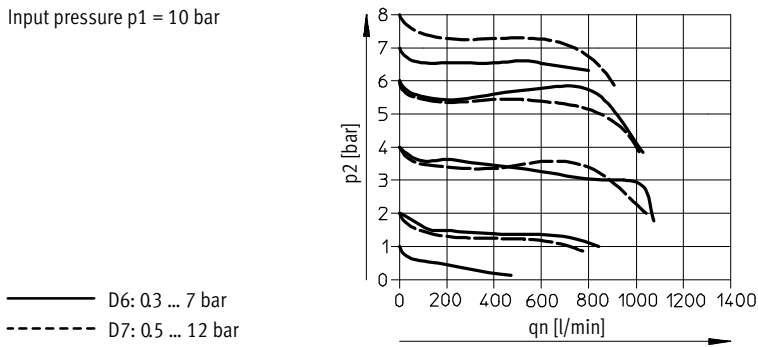
Pressure regulation range D6 or D7

Grade of filtration 5  $\mu\text{m}$

Grade of filtration 40  $\mu\text{m}$

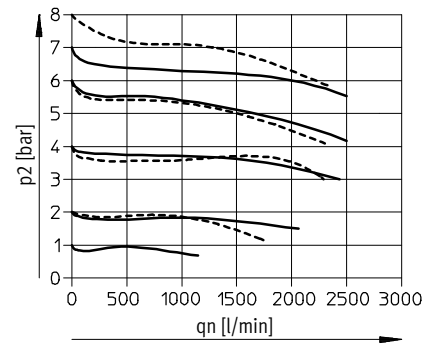
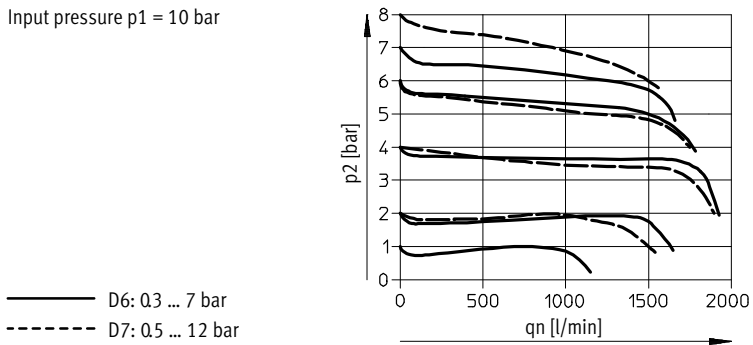
MS4-LFR-1/8

Input pressure  $p_1 = 10$  bar



MS4-LFR-1/4

Input pressure  $p_1 = 10$  bar



# Filter regulators MS4/MS6-LFR, MS series

Technical data

## Standard flow rate $q_n$ as a function of output pressure $p_2$

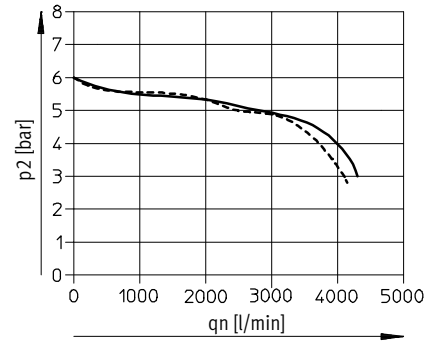
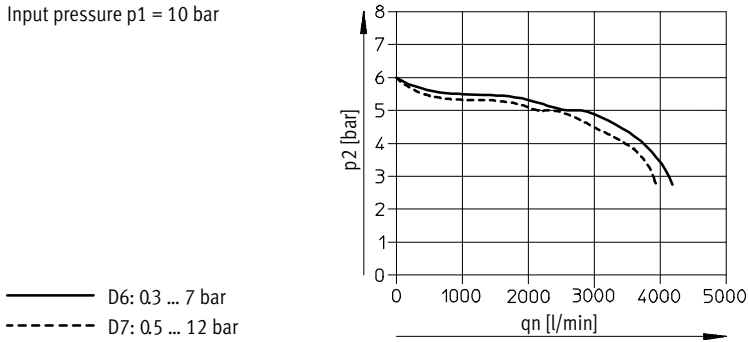
Pressure regulation range D6 or D7

Grade of filtration 5  $\mu\text{m}$

Grade of filtration 40  $\mu\text{m}$

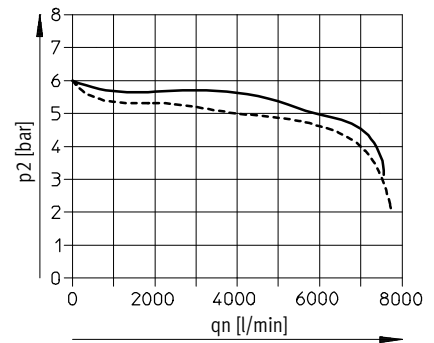
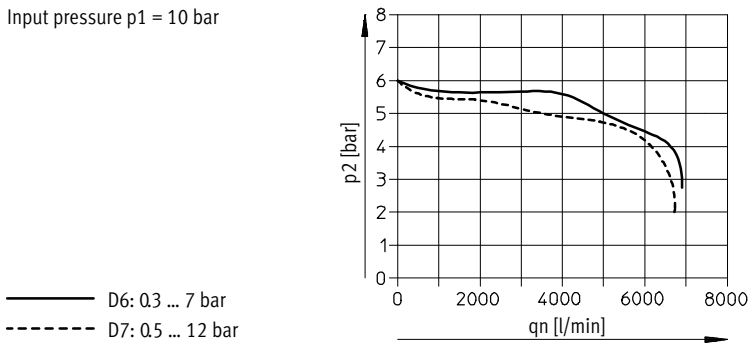
MS6-LFR-1/4

Input pressure  $p_1 = 10$  bar



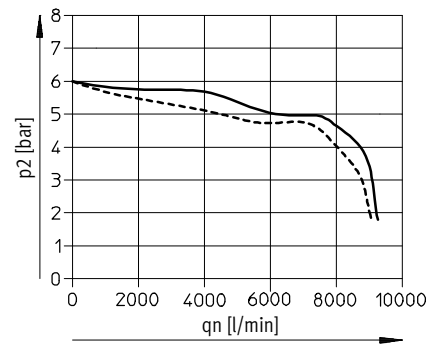
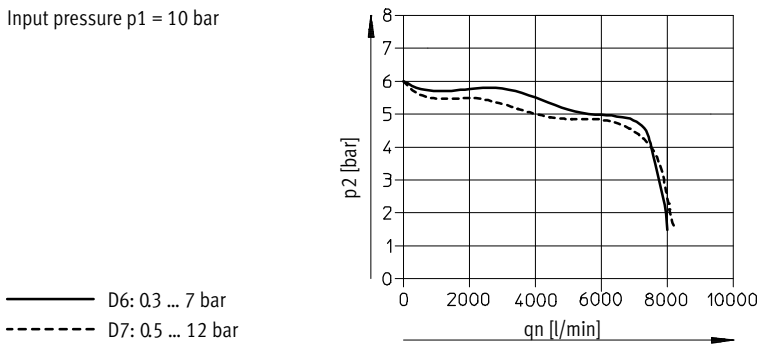
MS6-LFR-3/8

Input pressure  $p_1 = 10$  bar



MS6-LFR-1/2

Input pressure  $p_1 = 10$  bar



# Filter regulators MS4/MS6-LFR, MS series

Technical data



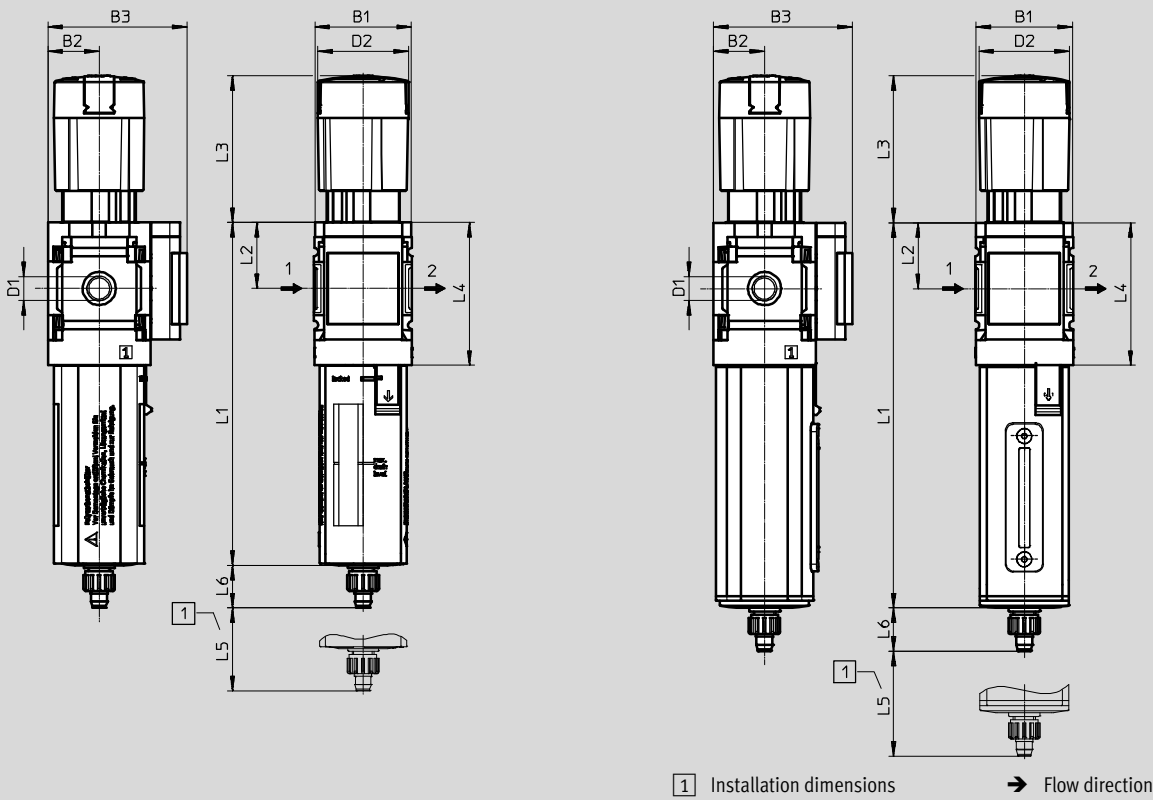
## Dimensions – Basic version MS4-LFR

Download CAD data → [www.festo.com](http://www.festo.com)

Integrated MS pressure gauge with standard scale, manual rotary condensate drain, rotary knob with detent, lockable via accessories

With plastic bowl guard R

With metal bowl U



Type	B1	B2	B3	D1	D2	L1		L2	L3	L4	L5	L6
						Plastic bowl guard	Metal bowl					
MS4-LFR-1/8	40	21	57	G1/8	37.2	140.6	158	27	60.2	58.5	25	17.7
MS4-LFR-1/4				G1/4								

• Note: This product conforms to ISO 1179-1 and to ISO 228-1



# Filter regulators MS4/MS6-LFR, MS series

Technical data



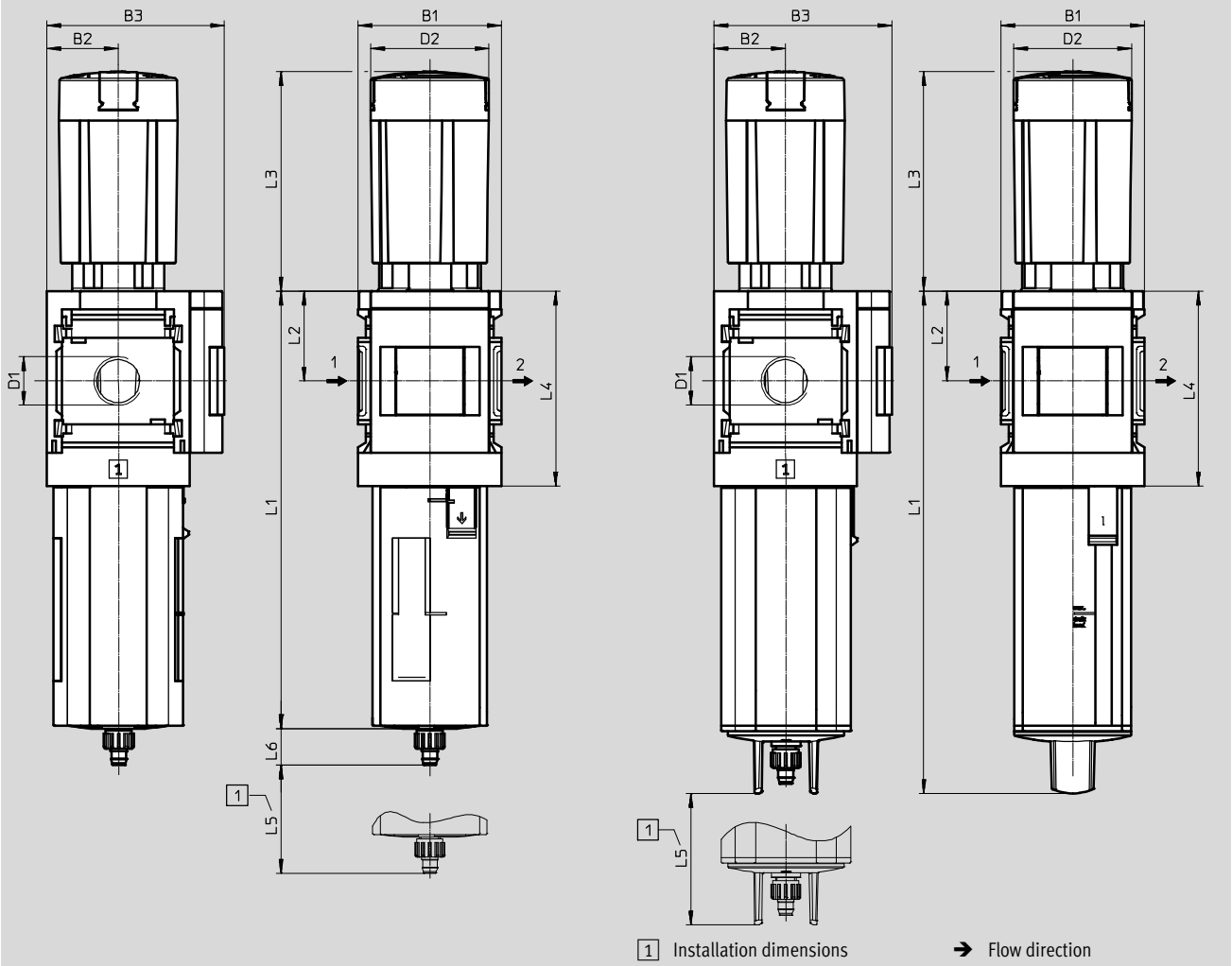
## Dimensions – Basic version MS6-LFR

Download CAD data → [www.festo.com](http://www.festo.com)

Integrated MS pressure gauge with standard scale, manual rotary condensate drain, rotary knob with detent, lockable via accessories

With plastic bowl guard R

With metal bowl U



Type	B1	B2	B3	D1	D2	L1		L2	L3	L4	L5	L6
						Plastic bowl guard	Metal bowl					
MS6-LFR-1/4	62	31	77	G1/4	51.2	190	218	39	95.1	85	68	15.8
MS6-LFR-3/8				G3/8								
MS6-LFR-1/2				G1/2								

Note: This product conforms to ISO 1179-1 and to ISO 228-1

# Filter regulators MS4/MS6-LFR, MS series

Technical data

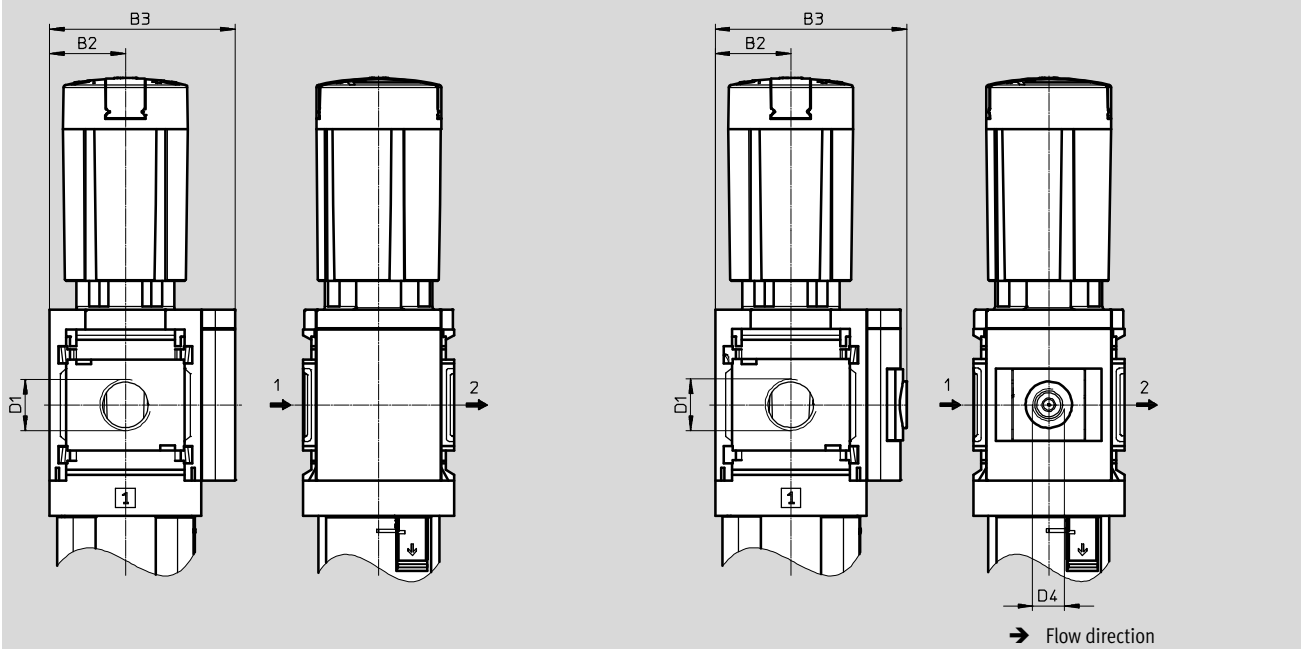
FESTO

## Dimensions – Pressure gauge alternatives

Download CAD data → [www.festo.com](http://www.festo.com)

Cover plate VS

Adapter plate A8/A4 for EN pressure gauge 1/8/1/4, without pressure gauge



Type	B2	B3	D1	D4
MS4-LFR-1/8-...-VS	21	54	G1/8	-
MS4-LFR-1/4-...-VS			G1/4	
MS4-LFR-1/8-...-A8	21	58.5	G1/8	G1/8
MS4-LFR-1/4-...-A8			G1/4	
MS4-LFR-1/8-...-A4	21	58.5	G1/8	G1/4
MS4-LFR-1/4-...-A4			G1/4	
MS6-LFR-1/4-...-VS	31	76	G1/4	-
MS6-LFR-3/8-...-VS			G3/8	
MS6-LFR-1/2-...-VS			G1/2	
MS6-LFR-1/4-...-A4	31	78.5	G1/4	G1/4
MS6-LFR-3/8-...-A4			G3/8	
MS6-LFR-1/2-...-A4			G1/2	

• • Note: This product conforms to ISO 1179-1 and to ISO 228-1

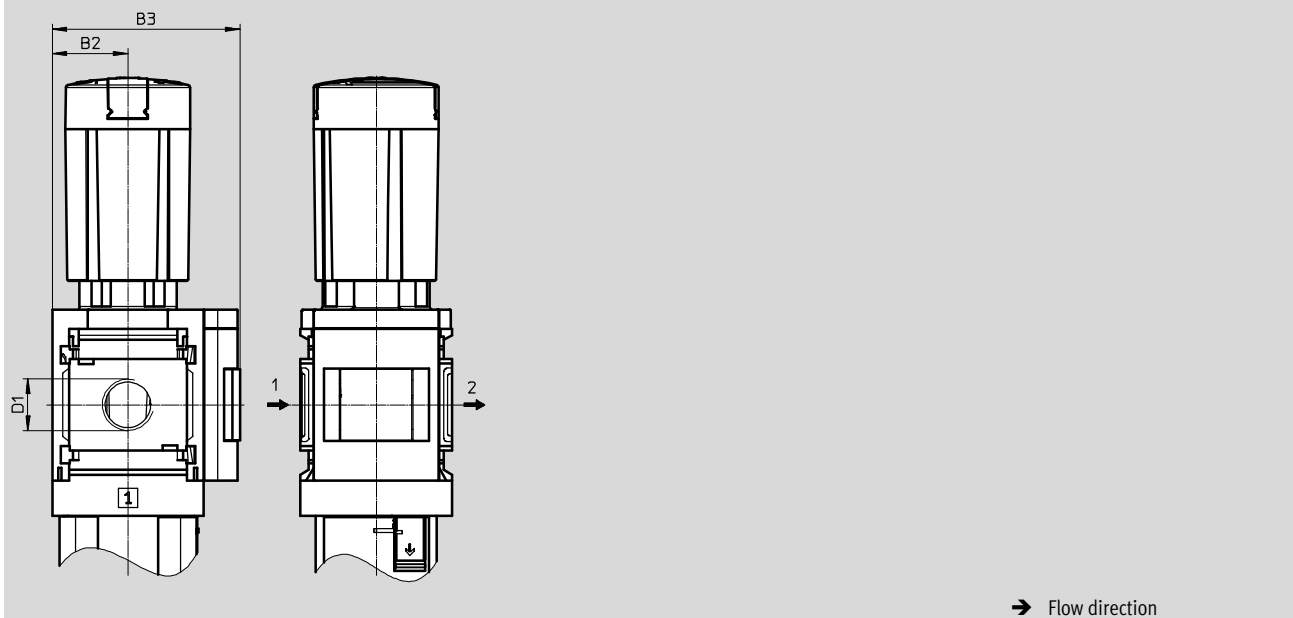
# Filter regulators MS4/MS6-LFR, MS series

Technical data

## Dimensions – Pressure gauge alternatives

Download CAD data → [www.festo.com](http://www.festo.com)

Integrated MS pressure gauge with red/green scale RG



→ Flow direction

Type	B2	B3	D1
MS4-LFR-1/8-...-RG	21	58.5	G1/8
MS4-LFR-1/4-...-RG			G1/4
MS6-LFR-1/4-...-RG	31	78.5	G1/4
MS6-LFR-3/8-...-RG			G3/8
MS6-LFR-1/2-...-RG			G1/2

· || · Note: This product conforms to ISO 1179-1 and to ISO 228-1

# Filter regulators MS4/MS6-LFR, MS series

Technical data

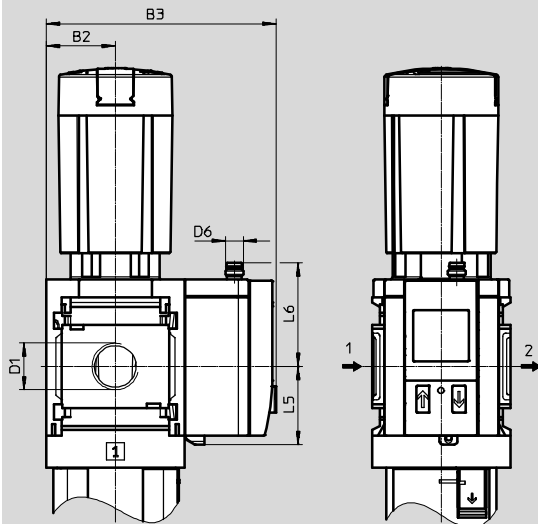
**FESTO**

## Dimensions – Pressure gauge alternatives

Pressure sensor with LCD display AD1 ... AD4

Download CAD data → [www.festo.com](http://www.festo.com)

Technical data → Internet: sde1



Variant AD1:  
SDE1-D10-G2-MS-L-P1-M8 with  
3-pin plug M8x1, 1 switching  
output PNP

Variant AD2:  
SDE1-D10-G2-MS-L-N1-M8 with  
3-pin plug M8x1, 1 switching  
output NPN

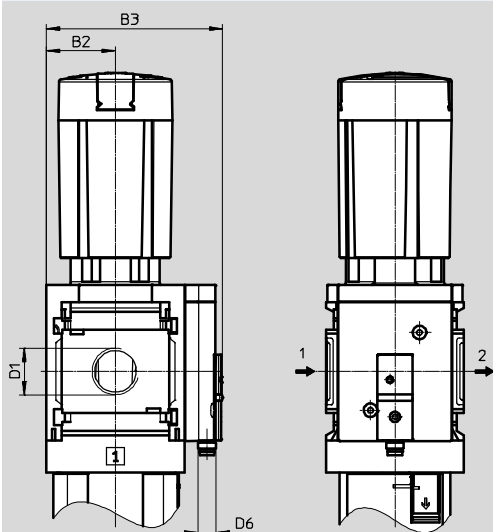
Variant AD3:  
SDE1-D10-G2-MS-L-PI-M12 with  
4-pin plug M12x1, 1 switching  
output PNP and 4 ... 20 mA  
analogue

Variant AD4:  
SDE1-D10-G2-MS-L-NI-M12 with  
4-pin plug M12x1, 1 switching  
output NPN and 4 ... 20 mA  
analogue

→ Flow direction

Pressure sensor without LCD display (operational status indicator only) AD7 ... AD10

Technical data → Internet: sde5



Variant AD7:  
SDE5-D10-O-...-P-M8 with 3-pin  
plug M8x1, threshold value  
comparator, 1 switching output  
PNP, N/O contact

Variant AD8:  
SDE5-D10-C-...-P-M8 with 3-pin  
plug M8x1, threshold value  
comparator, 1 switching output  
PNP, N/C contact

Variant AD9:  
SDE5-D10-O3-...-P-M8 with 3-pin  
plug M8x1, window comparator,  
1 switching output PNP, N/O contact

Variant AD10:  
SDE5-D10-C3-...-P-M8 with 3-pin  
plug M8x1, window comparator,  
1 switching output PNP, N/C contact

→ Flow direction

Type	B2	B3	D1	D6	L5	L6
MS4-LFR-1/8-...-AD1/AD2	21	82.6	G <sup>1</sup> / <sub>8</sub>	M8x1	35.1	46.7
MS4-LFR-1/4-...-AD1/AD2			G <sup>1</sup> / <sub>4</sub>			
MS4-LFR-1/8-...-AD3/AD4	21	82.6	G <sup>1</sup> / <sub>8</sub>	M12x1	35.1	55.8
MS4-LFR-1/4-...-AD3/AD4			G <sup>1</sup> / <sub>4</sub>			
MS4-LFR-1/8-...-AD7/AD8/AD9/AD10	21	59.1	G <sup>1</sup> / <sub>8</sub>	M8x1	-	-
MS4-LFR-1/4-...-AD7/AD8/AD9/AD10			G <sup>1</sup> / <sub>4</sub>			
MS6-LFR-1/4-...-AD1/AD2	31	103	G <sup>1</sup> / <sub>4</sub>	M8x1	35.1	46.7
MS6-LFR-3/8-...-AD1/AD2			G <sup>3</sup> / <sub>8</sub>			
MS6-LFR-1/2-...-AD1/AD2			G <sup>1</sup> / <sub>2</sub>			
MS6-LFR-1/4-...-AD3/AD4	31	103	G <sup>1</sup> / <sub>4</sub>	M12x1	35.1	55.8
MS6-LFR-3/8-...-AD3/AD4			G <sup>3</sup> / <sub>8</sub>			
MS6-LFR-1/2-...-AD3/AD4			G <sup>1</sup> / <sub>2</sub>			
MS6-LFR-1/4-...-AD7/AD8/AD9/AD10	31	79	G <sup>1</sup> / <sub>4</sub>	M8x1	-	-
MS6-LFR-3/8-...-AD7/AD8/AD9/AD10			G <sup>3</sup> / <sub>8</sub>			
MS6-LFR-1/2-...-AD7/AD8/AD9/AD10			G <sup>1</sup> / <sub>2</sub>			

• Note: This product conforms to ISO 1179-1 and to ISO 228-1

# Filter regulators MS4/MS6-LFR, MS series

Technical data

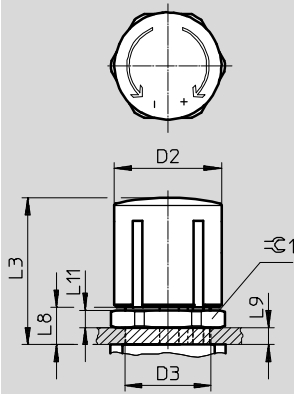


## Dimensions – Rotary knob

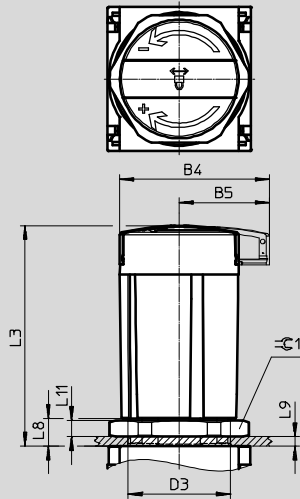
Download CAD data → [www.festo.com](http://www.festo.com)

For installation into control panel or attaching with hex nut MS4/6-WRS (not included in the scope of delivery)

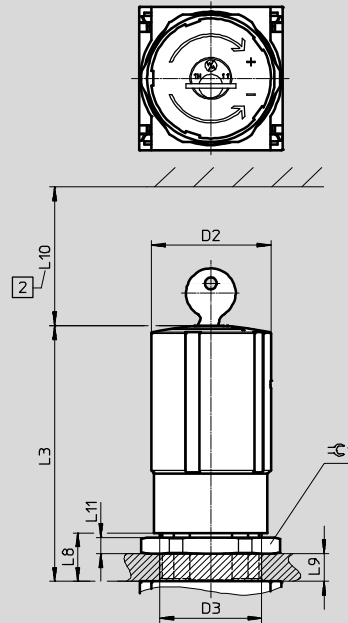
Rotary knob with detent



Rotary knob with detent, lockable via accessories AS

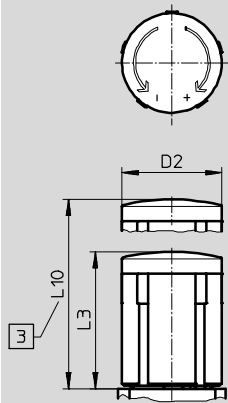


Rotary knob with integrated lock E11

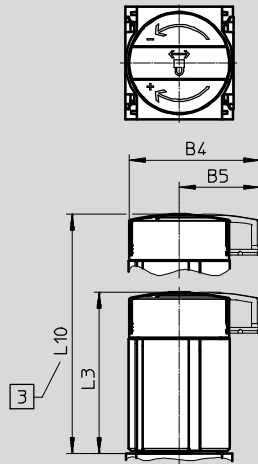


2 Installation dimensions

Long rotary knob with detent LD



Long rotary knob with detent, lockable via accessories LD-AS



3 For pressure adjustment: pull out telescopic rotary knob fully

Type	B4	B5	D2	D3	L3	L8	L9	L10	L11	≈C 1
MS4-LFR-...	-	-	37.2	M30x1.5	51.1	13	5	-	6	36
MS4-LFR-...-AS	48.6	30			60.2	13	5			
MS4-LFR-...-E11	-	-			76	14	6	60		
MS4-LFR-...-LD	-	-		-	51.1	-	-	76.8	-	-
MS4-LFR-...-LD-AS	48.6	30	-	-	60	-	-	85.7	-	-
MS6-LFR-...	-	-	51.2	M44x1	86	21	14	-	7	55
MS6-LFR-...-AS	64.4	38.8			95.1	12	5			
MS6-LFR-...-E11	-	-			110	21	14	60		
MS6-LFR-...-LD	-	-		-	86	-	-	139	-	-
MS6-LFR-...-LD-AS	64.4	38.8		-	95.5	-	-	148.5	-	-

# Filter regulators MS4/MS6-LFR, MS series

Technical data



Download CAD data → [www.festo.com](http://www.festo.com)

Manual rotary M		Semi-automatic H		Fully automatic V	
MS4-...-R/U-M	MS6-...-U-M	MS4-...-R/U-H	MS6-...-U-H	MS4-...-R/U-V	MS6-...-U-V
Barbed connector for plastic tubing PUN-(H)-8x1,25		Push-in connector for plastic tubing PUN-6/PAN-6		Barbed connector for plastic tubing PUN-(H)-8x1,25	

Type	D6 Ø	L6
Plastic bowl guard R		
MS4-LFR-...-M	5.6	17.7
MS6-LFR-...-M		15.8
Metal bowl U		
MS4-LFR-...-M	5.6	17.7
MS6-LFR-...-M		-

Type	D6 Ø	L6
Plastic bowl guard R		
MS4-LFR-...-H	6.2	22.1
MS6-LFR-...-H		20.4
Metal bowl U		
MS4-LFR-...-H	6.2	22.1
MS6-LFR-...-H		-

Type	D6 Ø	L6
Plastic bowl guard R		
MS4-LFR-...-V	5.6	20.4
MS6-LFR-...-V		18.5
Metal bowl U		
MS4-LFR-...-V	5.6	20.4
MS6-LFR-...-V		-

Technical data → Internet: [pwea](http://pwea)

Condensate drain PWEA:

- 2 Electrical connection: Screw terminal PG9
- 3 Connection 360° rotatable for plastic tubing PUN-H-12x2

Type	B6	B7	B8	B9	L12
MS6-LFR-...-E2/E3/E4	72	140	108	15	174.5

# Filter regulators MS4/MS6-LFR, MS series

FESTO

Technical data

## ★ Core product range

Ordering data						
Size	Connection	Condensate drain	Grade of filtration 5 µm		Grade of filtration 40 µm	
			Part No.	Type	Part No.	Type
Pressure regulation range 0.3 ... 7 bar, plastic bowl guard, integrated MS pressure gauge with standard scale, display unit [bar], rotary knob with detent, lockable via accessories						
MS4	G1/4	Manual rotary	★ 529144	MS4-LFR-1/4-D6-CRM-AS	★ 529148	MS4-LFR-1/4-D6-ERM-AS
		Fully automatic	★ 529146	MS4-LFR-1/4-D6-CRV-AS	★ 529150	MS4-LFR-1/4-D6-ERV-AS
MS6	G1/2	Manual rotary	★ 529176	MS6-LFR-1/2-D6-CRM-AS	★ 529180	MS6-LFR-1/2-D6-ERM-AS
		Fully automatic	★ 529178	MS6-LFR-1/2-D6-CRV-AS	★ 529182	MS6-LFR-1/2-D6-ERV-AS
Pressure regulation range 0.5 ... 12 bar, plastic bowl guard, integrated MS pressure gauge with standard scale, display unit [bar], rotary knob with detent, lockable via accessories						
MS4	G1/4	Manual rotary	★ 529152	MS4-LFR-1/4-D7-CRM-AS	★ 529156	MS4-LFR-1/4-D7-ERM-AS
		Fully automatic	★ 529154	MS4-LFR-1/4-D7-CRV-AS	★ 529158	MS4-LFR-1/4-D7-ERV-AS
MS6	G1/2	Manual rotary	★ 529184	MS6-LFR-1/2-D7-CRM-AS	★ 529188	MS6-LFR-1/2-D7-ERM-AS
		Fully automatic	★ 529186	MS6-LFR-1/2-D7-CRV-AS	★ 529190	MS6-LFR-1/2-D7-ERV-AS
Pressure regulation range 0.5 ... 12 bar, integrated as metal bowl, integrated MS pressure gauge with standard scale, display unit [bar], rotary knob with detent, lockable via accessories						
MS4	G1/4	Manual rotary	–	–	★ 535724	MS4-LFR-1/4-D7-EUM-AS
		Fully automatic	★ 535720	MS4-LFR-1/4-D7-CUV-AS	★ 535722	MS4-LFR-1/4-D7-EUV-AS
MS6	G1/2	Manual rotary	★ 530338	MS6-LFR-1/2-D7-CUM-AS	★ 529192	MS6-LFR-1/2-D7-EUM-AS
		Fully automatic	★ 530340	MS6-LFR-1/2-D7-CUV-AS	★ 529194	MS6-LFR-1/2-D7-EUV-AS

Ordering data						
Size	Connection	Condensate drain	Grade of filtration 5 µm		Grade of filtration 40 µm	
			Part No.	Type	Part No.	Type
Pressure regulation range 0.3 ... 7 bar, plastic bowl guard, integrated MS pressure gauge with standard scale, display unit [bar], rotary knob with detent, lockable via accessories						
MS4	G1/8	Manual rotary	529160	MS4-LFR-1/8-D6-CRM-AS	529164	MS4-LFR-1/8-D6-ERM-AS
		Fully automatic	529162	MS4-LFR-1/8-D6-CRV-AS	529166	MS4-LFR-1/8-D6-ERV-AS
MS6	G1/4	Manual rotary	529196	MS6-LFR-1/4-D6-CRM-AS	529200	MS6-LFR-1/4-D6-ERM-AS
		Fully automatic	–	–	529202	MS6-LFR-1/4-D6-ERV-AS
	G3/8	Manual rotary	529216	MS6-LFR-3/8-D6-CRM-AS	529220	MS6-LFR-3/8-D6-ERM-AS
		Fully automatic	529218	MS6-LFR-3/8-D6-CRV-AS	529222	MS6-LFR-3/8-D6-ERV-AS
Pressure regulation range 0.5 ... 12 bar, plastic bowl guard, integrated MS pressure gauge with standard scale, display unit [bar], rotary knob with detent, lockable via accessories						
MS4	G1/8	Manual rotary	529168	MS4-LFR-1/8-D7-CRM-AS	529172	MS4-LFR-1/8-D7-ERM-AS
		Fully automatic	529170	MS4-LFR-1/8-D7-CRV-AS	529174	MS4-LFR-1/8-D7-ERV-AS
MS6	G1/4	Manual rotary	529204	MS6-LFR-1/4-D7-CRM-AS	529208	MS6-LFR-1/4-D7-ERM-AS
		Fully automatic	529206	MS6-LFR-1/4-D7-CRV-AS	529210	MS6-LFR-1/4-D7-ERV-AS
	G3/8	Manual rotary	529224	MS6-LFR-3/8-D7-CRM-AS	529228	MS6-LFR-3/8-D7-ERM-AS
		Fully automatic	529226	MS6-LFR-3/8-D7-CRV-AS	529230	MS6-LFR-3/8-D7-ERV-AS
Pressure regulation range 0.5 ... 12 bar, integrated as metal bowl, integrated MS pressure gauge with standard scale, display unit [bar], rotary knob with detent, lockable via accessories						
MS6	G3/8	Manual rotary	–	–	529232	MS6-LFR-3/8-D7-EUM-AS
		Fully automatic	530348	MS6-LFR-3/8-D7-CUV-AS	529234	MS6-LFR-3/8-D7-EUV-AS

Festo core product range

- ★ Ready for dispatch from the Festo factory in 24 hours
- ☆ Ready for dispatch in 5 days maximum from stock

# Filter regulators MS4/MS6-LFR, MS series

Ordering data – Modular products

Ordering table							
Grid dimension	[mm]	40	62	Condi- tions	Code	Enter code	
<b>M</b>	Module No.	<b>526489</b>	<b>526490</b>				
	Series	Standard			<b>MS</b>	MS	
	Size	4	6		...		
	Function	Filter regulator			<b>-LFR</b>	-LFR	
	Pneumatic connection	Female thread G $\frac{1}{8}$	–	<input type="checkbox"/>	- $\frac{1}{8}$		
		Female thread G $\frac{1}{4}$	Female thread G $\frac{1}{4}$	<input type="checkbox"/>	★ - $\frac{1}{4}$		
		–	Female thread G $\frac{3}{8}$	<input type="checkbox"/>	- $\frac{3}{8}$		
		–	Female thread G $\frac{1}{2}$	<input type="checkbox"/>	★ - $\frac{1}{2}$		
		Connecting plate G $\frac{1}{8}$	–		-AGA		
		Connecting plate G $\frac{1}{4}$	Connecting plate G $\frac{1}{4}$		★ -AGB		
		Connecting plate G $\frac{3}{8}$	Connecting plate G $\frac{3}{8}$		-AGC		
		–	Connecting plate G $\frac{1}{2}$		★ -AGD		
		–	Connecting plate G $\frac{3}{4}$		-AGE		
		Connecting plate NPT $\frac{1}{8}$	–	<input type="checkbox"/>	-AQK		
		Connecting plate NPT $\frac{1}{4}$	Connecting plate NPT $\frac{1}{4}$	<input type="checkbox"/>	-AQN		
		Connecting plate NPT $\frac{3}{8}$	Connecting plate NPT $\frac{3}{8}$	<input type="checkbox"/>	-AQP		
		–	Connecting plate NPT $\frac{1}{2}$	<input type="checkbox"/>	-AQR		
		–	Connecting plate NPT $\frac{3}{4}$	<input type="checkbox"/>	-AQS		
	Pressure regulation range	0.3 ... 4 bar			★ -D5		
		0.3 ... 7 bar			★ -D6		
		0.5 ... 12 bar			★ -D7		
		–	0.5 ... 16 bar	<input type="checkbox"/>	-D8		
	Grade of filtration	40 $\mu$ m			★ -E		
		5 $\mu$ m			★ -C		
	Bowl	Plastic bowl with plastic bowl guard			★ -R		
		Metal bowl			-U		
	Condensate drain	Manual			★ -M		
		Semi-automatic (P1 max. 12 bar)			<input type="checkbox"/>	-H	
		Fully automatic (P1 max. 12 bar)			<input type="checkbox"/>	★ -V	
		External, fully automatic, electrical	–	110 V AC, terminals	<input type="checkbox"/>	<input type="checkbox"/>	-E2
			–	230 V AC, terminals	<input type="checkbox"/>	<input type="checkbox"/>	-E3
	–		24 V DC, terminals	<input type="checkbox"/>	<input type="checkbox"/>	-E4	

$\frac{1}{8}$ ,  $\frac{1}{4}$ ,  $\frac{3}{8}$ ,  $\frac{1}{2}$ , AQK, AQN, AQP, AQR, AQS, D8, E2, E3, E4, AD1 ... AD4, AD7 ... AD10,  E2, E3, E4 Only with metal bowl U

**E11, WPM**

Not with EU certification EX4

**H, V** Not with pressure regulation range D8

**M** Mandatory data

**O** Options

### Transfer order code

**MS**  - **LFR** -  -  -  -  -

Festo core product range

★ Ready for dispatch from the Festo factory in 24 hours

★ Ready for dispatch in 5 days maximum from stock



# Filter regulators MS4/MS6-LFR, MS series

Ordering data – Modular products

Ordering table							
Grid dimension	[mm]	40	62	Condi- tions	Code	Enter code	
[O] Pressure gauge alternatives	Cover plate				★ -VS		
	Adapter plate for EN pressure gauge 1/8, without pressure gauge				-A8		
	Adapter plate for EN pressure gauge 1/4, without pressure gauge				-A4		
	Integrated pressure gauge, red-green scale			[4]	-RG		
	Pressure sensor with LCD display, plug M8, 1 switching output PNP, 3-pin			[1] [5]	-AD1		
	Pressure sensor with LCD display, plug M8, 1 switching output NPN, 3-pin			[1] [5]	-AD2		
	Pressure sensor with LCD display, plug M12, 1 switching output PNP, 4-pin, analogue output 4 ... 20 mA			[1] [5]	-AD3		
	Pressure sensor with LCD display, plug M12, 1 switching output NPN, 4-pin, analogue output 4 ... 20 mA			[1] [5]	-AD4		
	Pressure sensor with operational status indicator, plug M8, threshold value comparator, PNP, N/O contact			[1] [5]	-AD7		
	Pressure sensor with operational status indicator, plug M8, threshold value comparator, PNP, N/C contact			[1] [5]	-AD8		
	Pressure sensor with operational status indicator, plug M8, window comparator, PNP, N/O contact			[1] [5]	-AD9		
	Pressure sensor with operational status indicator, plug M8, window comparator, PNP, N/C contact			[1] [5]	-AD10		
	Alternative pressure gauge scale	psi			[6]	-PSI	
		MPa			[6]	-MPA	
	Secondary venting	Without secondary venting				-OS	
Rotary knob	Long rotary knob			[7]	-LD		
[M] Security	Without						
	Lockable via accessories				★ -AS		
	With integrated lock			[1]	-E11		
[O] Type of mounting	Mounting bracket with knurled nut for regulator head			[8]	★ -WR		
	Mounting bracket standard design			[9]	-WP		
	Mounting bracket for attaching the service units			[1] [9]	-WPM		
	Mounting bracket centrally at rear (wall mounting top and bottom), connecting plates not required				★ -WB		
	Mounting bracket centrally at rear (wall mounting top), connecting plates not required				-WBM		
	EU certification	II 2GD to EU Explosion Protection Directive (ATEX)				-EX4	
UL certification	cULus, ordinary location for Canada and USA				-UL1		
Flow direction	Flow direction from right to left				-Z		

[4] **RG** Alternative pressure gauge scale PSI serves only as an auxiliary scale

[5] **AD1 ... AD4, AD7 ... AD10**  
Measuring range max. 10 bar  
Not with pressure regulation range D8

[6] **PSI, MPA** Not with pressure gauge alternatives VS, A8, A4, AD1 ... AD4, AD7 ... AD10

[7] **LD** Not with security E11

[8] **WR** Not with long rotary knob LD

[9] **WP, WPM** Only with connecting plate AGA, AGB, AGC, AGD, AGE, AQK, AQN, AQP, AQR or AQS

[M] Mandatory data

[O] Options

### Transfer order code

- [ ] - [ ] - [ ] - [ ] - [ ] - [ ] - [ ] - [ ] - [ ]

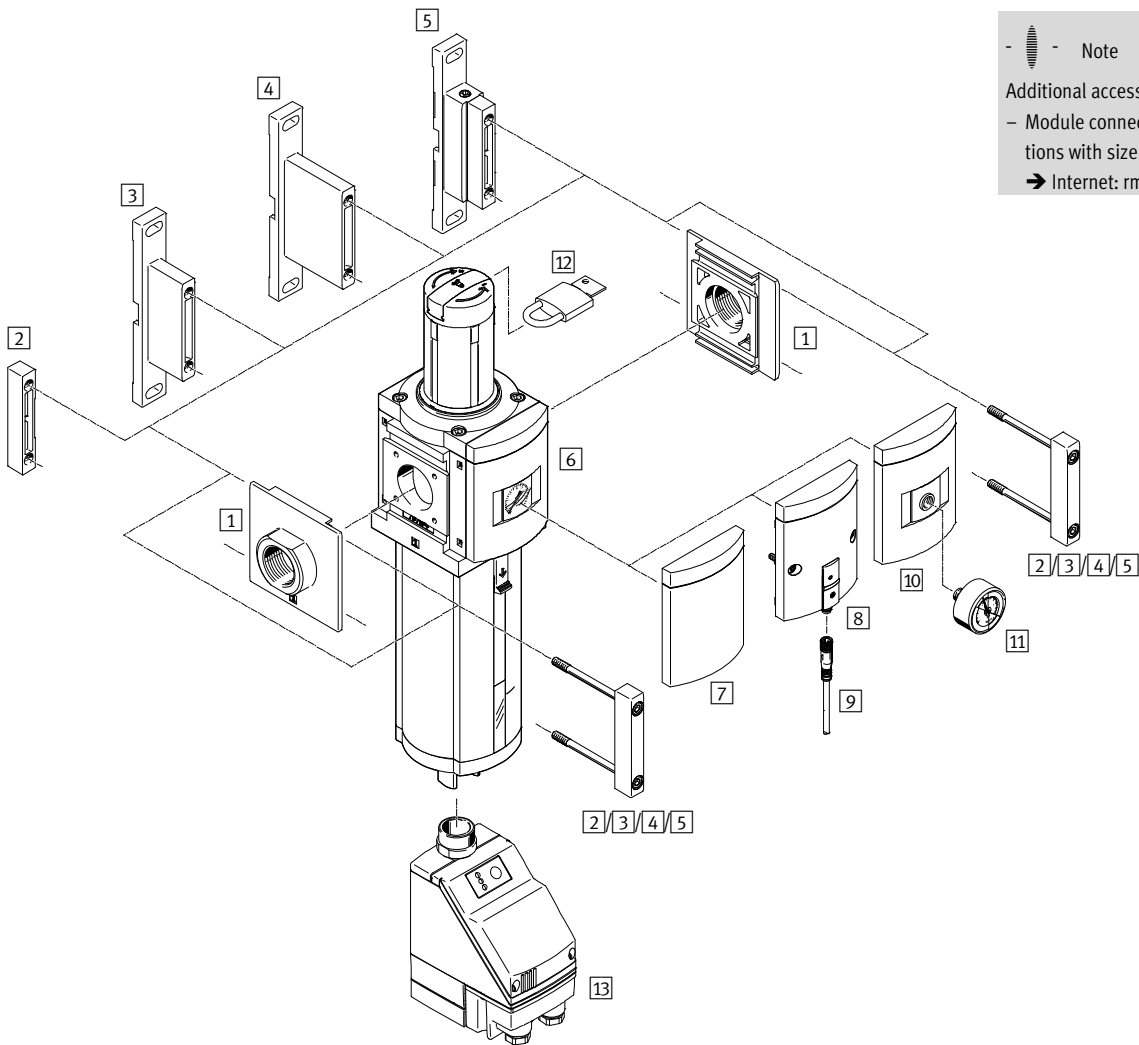
Festo core product range


★ Ready for dispatch from the Festo factory in 24 hours

☆ Ready for dispatch in 5 days maximum from stock

# Filter regulators MS9-LFR, MS series

Peripherals overview



-  - Note  
 Additional accessories:  
 - Module connector for combinations with size MS6, MS9 or MS12  
 → Internet: rmv, armv

# Filter regulators MS9-LFR, MS series

Peripherals overview

Mounting attachments and accessories					
		Individual unit		Combination Module without connect- ing thread, without connecting plate G/NG	→ Page/ Internet
		With female thread 3/4/1/N3/4/N1	With connecting plate AG.../AQ... Without EU certification EX4		
1	Connecting plate-SET MS9-AG...	-	■	■	ms9-ag
	Connecting plate-SET MS9-AQ...	-	■	-	ms9-aq
2	Module connector MS9-MV	-	-	-	ms9-mv
3	Mounting bracket MS9-WP	■	■	■	ms9-wp
4	Mounting bracket MS9-WPB	■	■	■	ms9-wp
5	Mounting bracket MS9-WPM	■	■	-	ms9-wp
6	MS pressure gauge AG	■	■	■	38
7	Cover plate VS	■	■	■	38
8	Pressure sensor without display AD7 ... AD10	■	■	-	38
9	Connecting cable NEBU-M8...-LE3	■	■	-	50
10	Adapter plate for EN pressure gauge 1/4 A4	■	■	■	38
11	Pressure gauge MA	■	■	■	50
12	Padlock LRVS-D	■	■	■	50
13	Condensate drain, fully automatic, electrically actuated E2/E3/E4	■	■	-	38

# Filter regulators MS9-LFR, MS series

Type codes

FESTO

MS 9 - LFR - G - D6 - E U M - DI - AG - BAR - AS

## Series

MS	Standard service unit
----	-----------------------

## Size

9	Grid dimension 90 mm
---	----------------------

## Service function

LFR	Filter regulator
-----	------------------

## Pneumatic connection

G	Module without connecting thread, without connecting plate
NG	Module without connecting thread, without connecting plate (inch)

## Pressure regulation range/operation mode

D6	0.5 ... 7 bar, manually operated
D7	0.5 ... 12 bar, manually operated

## Grade of filtration

C	5 µm
E	40 µm

## Bowl guard

U	Integrated as metal bowl
---	--------------------------

## Condensate drain

M	Manual rotary
V	Fully automatic

## Regulator type

	Piloted
DI	Directly actuated

## Pressure gauge

AG	MS pressure gauge
----	-------------------

## Pressure gauge scale

BAR	bar
PSI	psi

## Security

AS	Rotary knob with detent, can be locked using accessories
----	--

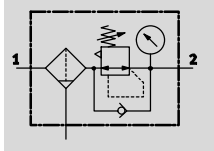
Additional variants can be ordered using the modular system → 38

- Pneumatic connection
- Pressure regulation range
- Condensate drain
- Pressure gauge alternatives
- Alternative pressure gauge scale
- Secondary venting
- Security lock
- Type of mounting
- EU certification
- UL certification
- Flow direction

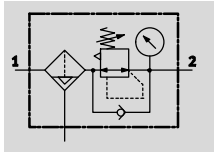
# Filter regulators MS9-LFR, MS series

Technical data

Manual rotary condensate drain, with pressure gauge



Semi or fully automatic condensate drain, with pressure gauge



With this component, the filter and pressure regulator are combined into a single unit. The sintered filter with water separator removes contamination, pipe sinter, rust and condensate from the compressed air.

- - Flow rate  
6,000 ... 23,000 l/min
- - Temperature range  
-10 ... +60 °C
- - Supply pressure  
1 ... 20 bar
- - [www.festo.com](http://www.festo.com)



- Good regulation characteristics with low hysteresis and primary pressure compensation
- Good particle and condensate separation
- Piloted or directly actuated filter-diaphragm regulator
- High flow rates
- Available with or without secondary venting
- Four pressure regulation ranges: 0.5 ... 4 bar, 0.5 ... 7 bar, 0.5 ... 12 bar and 0.5 ... 16 bar
- Pressure gauge connection for different fitting options
- Available with manual, semi-automatic, fully automatic or fully automatic, electrically actuated condensate drain
- Actuator lock to protect set values against adjustment
- Optional pressure sensor
- Choice of filter cartridges: 5 µm or 40 µm
- New filter cartridges → 49
- Optional device variant EX4 for use in potentially explosive areas in zones 1, 2, 21 and 22

General technical data		
Pneumatic connection 1, 2		
	Female thread	G3/4, G1, NPT3/4 or NPT1
	Connecting plate AG...	G1/2, G3/4, G1, G1 1/4 or G1 1/2
	Connecting plate AQ...	NPT1/2, NPT3/4, NPT1, NPT1 1/4 or NPT1 1/2
	Module without connecting thread/plate G/NG	-
Design		
	Piloted	Output pressure constant, with return flow action, with primary pressure compensation, with secondary venting
	Directly actuated	Output pressure constant, with return flow action, with/without secondary venting
Type of mounting		
		Via accessories
		In-line installation
Mounting position		
		Vertical ±5°
Grade of filtration [µm]		
		5 (air purity class at the output: compressed air in accordance with ISO 8573-1:2010 [6:4:4])
		40 (air purity class at the output: compressed air in accordance with ISO 8573-1:2010 [7:4:4])
Bowl guard		
		Integrated as metal bowl
Condensate drain		
		Manual rotary
		Semi-automatic
		Fully automatic
		Fully automatic, electrically actuated
Security		
		Rotary knob with detent, lockable via accessories
		Rotary knob with integrated lock
Pressure regulation range/operation mode		
	D5 [bar]	0.5 ... 4, manually operated
	D6 [bar]	0.5 ... 7, manually operated
	D7 [bar]	0.5 ... 12, manually operated (0.5 ... 10 with pressure sensor variant AD...)
	D8 [bar]	0.5 ... 16, manually operated (0.5 ... 10 with pressure sensor variant AD...)

- - Note: This product conforms to ISO 1179-1 and to ISO 228-1

# Filter regulators MS9-LFR, MS series

FESTO

Technical data

General technical data	
Max. pressure hysteresis [bar]	0.4
Pressure display	Via pressure sensor for displaying output pressure via operational status indicator and electrical output
	Via pressure gauge for displaying output pressure
	Via pressure gauge with red/green scale for displaying output pressure
	G $\frac{3}{4}$ prepared
Max. condensate volume [ml]	220

Standard nominal flow rate $q_{nN}^{1)2)}$ [l/min]					
Design	Piloted filter-diaphragm regulator			Directly actuated filter-diaphragm regulator DI	
Pneumatic connection	G $\frac{3}{4}$ /NPT $\frac{3}{4}$	G1/NPT1	G $\frac{3}{4}$ /NPT $\frac{3}{4}$	G1/NPT1	
D5 – Pressure regulation range 0.5 ... 4 bar					
Grade of filtration	5 $\mu$ m	17,000 <sup>3)</sup>	20,000 <sup>3)</sup>	16,000 <sup>3)</sup>	18,000 <sup>3)</sup>
	40 $\mu$ m	18,000 <sup>3)</sup>	23,000 <sup>3)</sup>	16,000 <sup>3)</sup>	20,000 <sup>3)</sup>
D6 – Pressure regulation range 0.5 ... 7 bar					
Grade of filtration	5 $\mu$ m	15,000	18,000	12,000	10,000
	40 $\mu$ m	16,000	20,000	12,000	10,000
D7 – Pressure regulation range 0.5 ... 12 bar					
Grade of filtration	5 $\mu$ m	15,000	18,000	–	–
	40 $\mu$ m	16,000	20,000	–	–
D8 – Pressure regulation range 0.5 ... 16 bar					
Grade of filtration	5 $\mu$ m	15,000	18,000	–	–
	40 $\mu$ m	16,000	20,000	–	–

1) All values  $\pm 15\%$

2) Measured at  $p_1 = 10$  bar and  $p_2 = 6$  bar,  $\Delta p = 1$  bar

3) Measured at  $p_1 = 10$  bar and  $p_2 = 4$  bar,  $\Delta p = 1$  bar

-  $\downarrow$  125 l/min must be available for the fully automatic condensate drain to close correctly.

Operating and environmental conditions				
Condensate drain	Manual rotary	Semi-automatic	Fully automatic	Fully automatic, electrically actuated
	M	H	V	E2/E3/E4
Operating pressure [bar]	1 ... 20	1.5 ... 12	2 ... 12	1 ... 16
Operating medium	Compressed air in accordance with ISO 8573-1:2010 [-:4:-]	Compressed air in accordance with ISO 8573-1:2010 [-:4:-]	Compressed air in accordance with ISO 8573-1:2010 [7:4:-]	Compressed air in accordance with ISO 8573-1:2010 [-:4:-]
Ambient temperature [°C]	-10 ... +60	+5 ... +60	+5 ... +60	+1 ... +60
Ambient temperature with pressure sensor AD [°C]	0 ... +50	+5 ... +50	+5 ... +50	+1 ... +50
Temperature of medium [°C]	-10 ... +60	+5 ... +60	+5 ... +60	+1 ... +60
Temperature of medium with pressure sensor AD [°C]	0 ... +50	+5 ... +50	+5 ... +50	+1 ... +50
Storage temperature [°C]	-10 ... +60	+5 ... +60	+5 ... +60	+1 ... +60
Corrosion resistance class CRC <sup>1)</sup>	2			
Certification (variant UL1)	cULus recognized (OL)			

1) Corrosion resistance class CRC 2 to Festo standard FN 940070

Moderate corrosion stress. Indoor applications in which condensation may occur. External visible parts with primarily decorative requirements for the surface and which are in direct contact with the ambient atmosphere typical for industrial applications.

ATEX	
EU certification	EX4
ATEX category gas	II 2G
Ex-ignition protection type gas	c T6 X
ATEX category dust	II 2D
Ex-ignition protection type dust	c T60 °C X
ATEX ambient temperature	-10 °C $\leq$ Ta $\leq$ +60 °C (manual rotary condensate drain M)
	+5 °C $\leq$ Ta $\leq$ +60 °C (semi-automatic/fully automatic condensate drain H/V)
CE mark (see declaration of conformity)	To EU Explosion Protection Directive (ATEX)

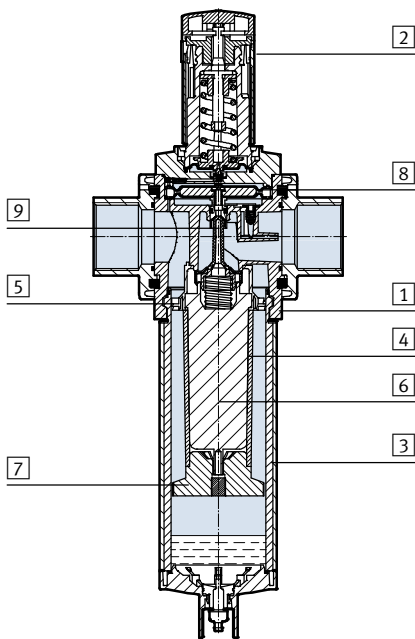
# Filter regulators MS9-LFR, MS series

Technical data

Weight [g]		
Rotary knob	Without integrated lock E11	With integrated lock E11
Filter regulator with metal bowl U	2,400	2,700
Filter regulator with metal bowl U and fully automatic condensate drain, electrically actuated E2/E3/E4	2,800	3,100

## Materials

Sectional view

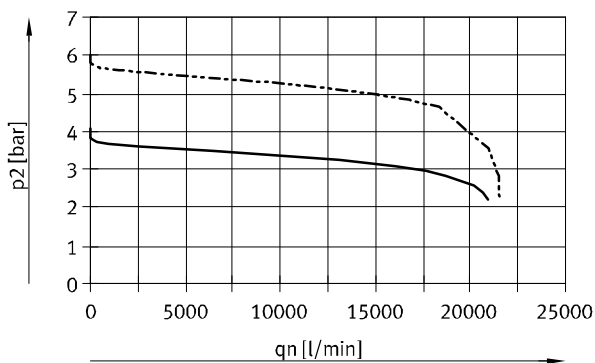


Filter regulator		
1	Housing	Die-cast aluminium
2	Rotary knob	PA
	Rotary knob with integrated lock E11	Aluminium
3	Bowl	Wrought aluminium alloy
	Inspection window	PA
4	Filter element	PE
5	Spin disc	POM
6	Filter holder	POM
7	Separating plate	POM
8	Diaphragm	NBR
9	Valve stem	Wrought aluminium alloy, NBR, POM
	– Cover	PA reinforced
–	Connecting plate, module connector, mounting bracket	Die-cast aluminium
–	Seals	NBR
Note on materials		RoHS-compliant (not with variant E2, E3 or E4)

### Standard flow rate $q_n$ as a function of output pressure $p_2$ at operating pressure $p_1 = 10$ bar

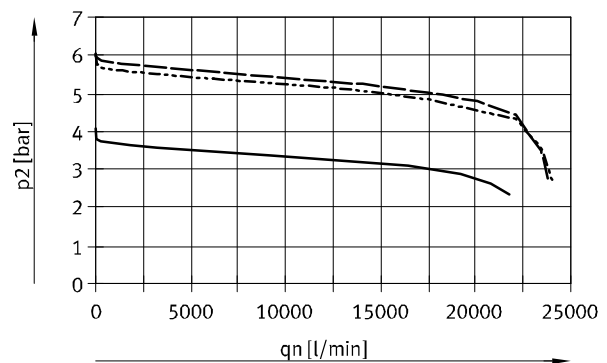
Piloted filter-diaphragm regulator

Grade of filtration 5  $\mu\text{m}$ , pneumatic connection  $G\frac{3}{4}/NPT\frac{3}{4}$



— MS9-LFR...-D5  
 - - - MS9-LFR...-D6/D7/D8

Grade of filtration 40  $\mu\text{m}$ , pneumatic connection  $G\frac{3}{4}/NPT\frac{3}{4}$



— MS9-LFR...-D5  
 - - - MS9-LFR...-D6/D8  
 - · - MS9-LFR...-D7

# Filter regulators MS9-LFR, MS series

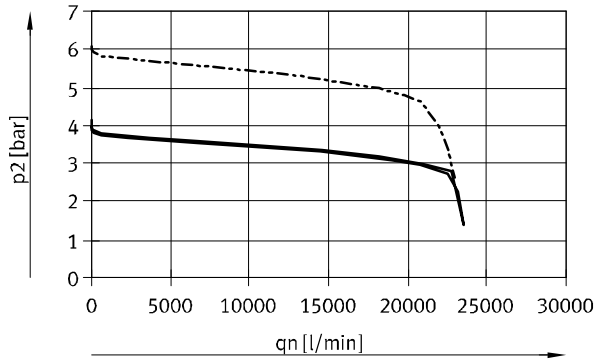
Technical data



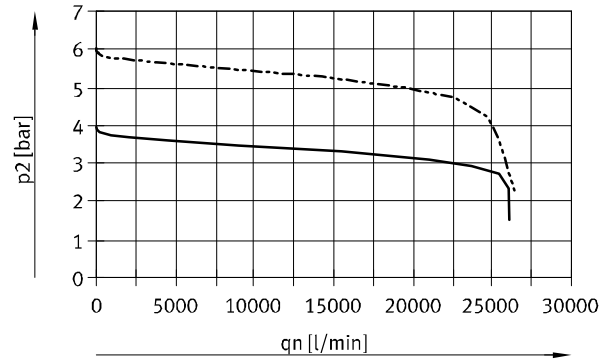
## Standard flow rate $q_n$ as a function of output pressure $p_2$ at operating pressure $p_1 = 10$ bar

Piloted filter-diaphragm regulator

Grade of filtration 5  $\mu\text{m}$ , pneumatic connection G1/NPT1



Grade of filtration 40  $\mu\text{m}$ , pneumatic connection G1/NPT1

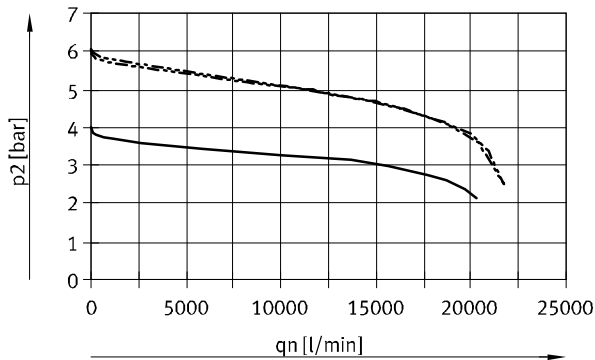


— MS9-LFR...-D5  
 - - - MS9-LFR...-D6/D7/D8

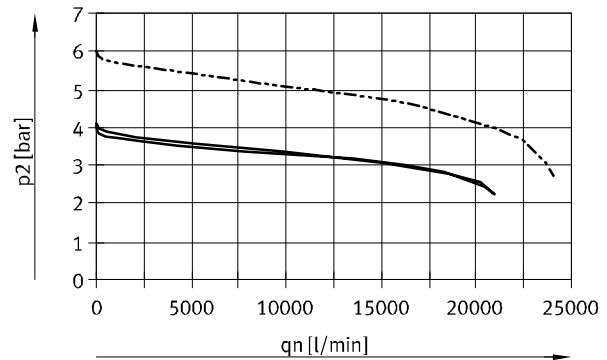
## Standard flow rate $q_n$ as a function of output pressure $p_2$ at operating pressure $p_1 = 10$ bar

Directly actuated filter-diaphragm regulator D1

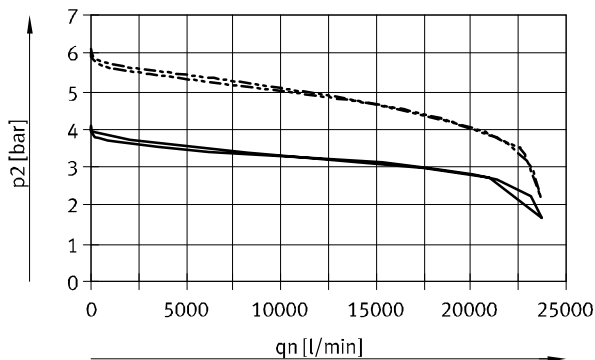
Grade of filtration 5  $\mu\text{m}$ , pneumatic connection G $\frac{3}{4}$ /NPT $\frac{3}{4}$



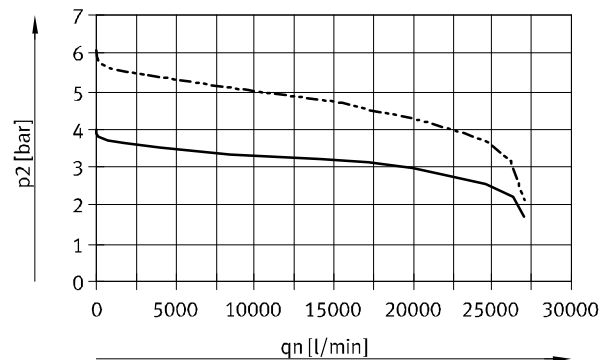
Grade of filtration 40  $\mu\text{m}$ , pneumatic connection G $\frac{3}{4}$ /NPT $\frac{3}{4}$



Grade of filtration 5  $\mu\text{m}$ , pneumatic connection G1/NPT1



Grade of filtration 40  $\mu\text{m}$ , pneumatic connection G1/NPT1



— MS9-LFR...-D5  
 - - - MS9-LFR...-D6



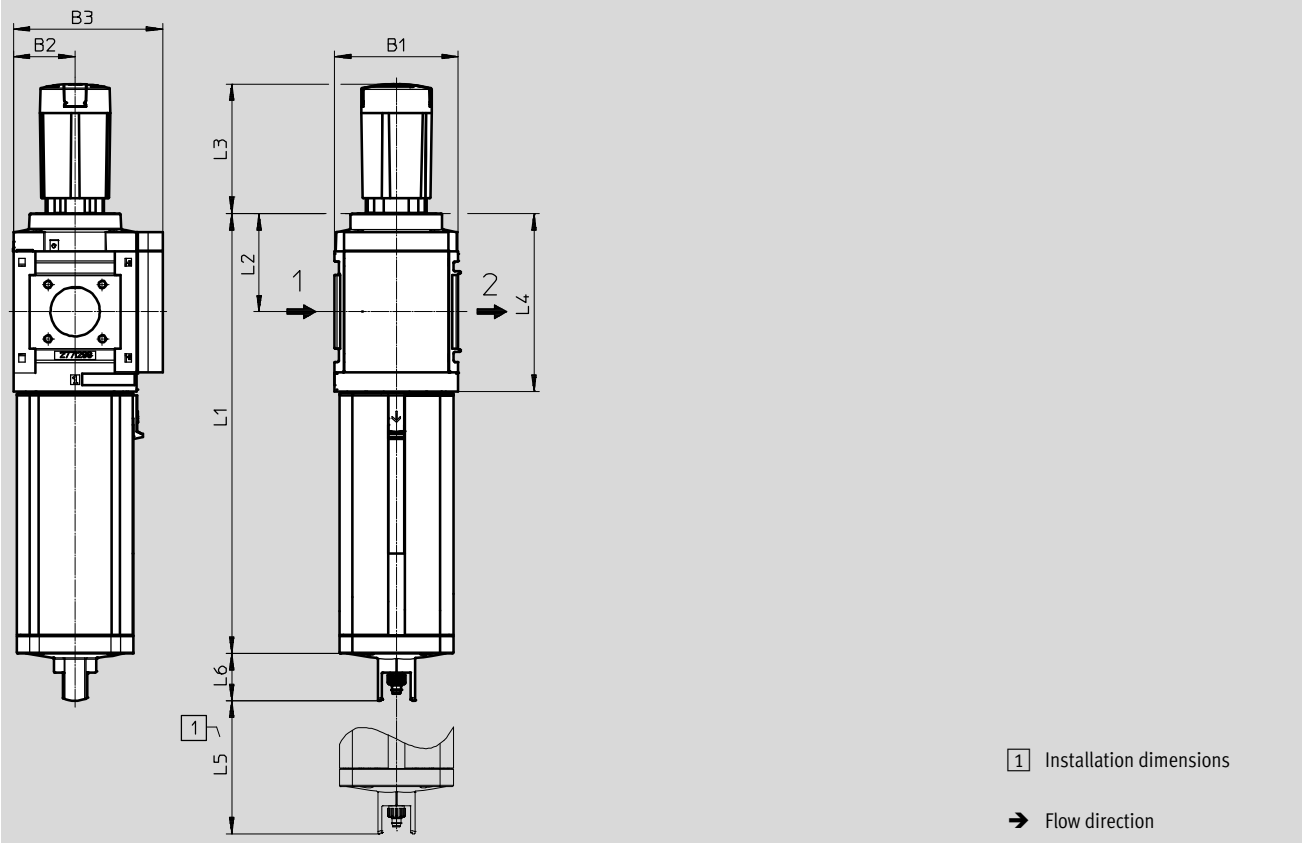
# Filter regulators MS9-LFR, MS series

Technical data

**Dimensions – Basic version**

Download CAD data → [www.festo.com](http://www.festo.com)

Module without connecting thread, without connecting plate G/NG, cover plate VS, rotary knob with detent, lockable via accessories



Type	B1	B2	B3	L1	L2	L3	L4	L5	L6
MS9-LFR-G/NG	90	45	109	320.5	71.5	94.5	127	150	34.5

# Filter regulators MS9-LFR, MS series

Technical data

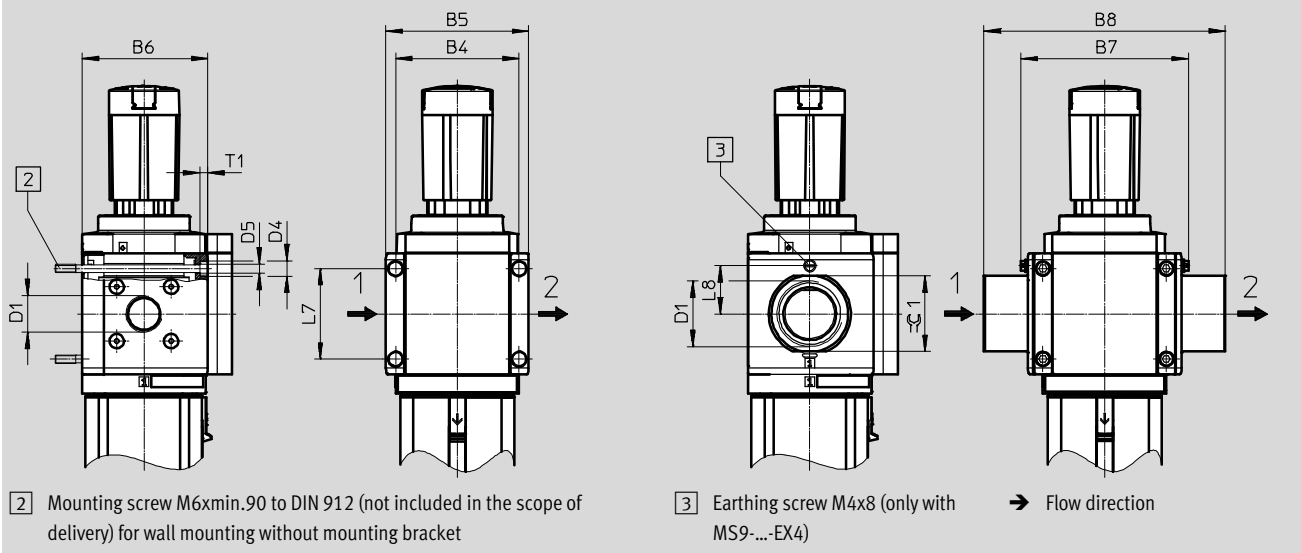
FESTO

## Dimensions – Connecting thread/connecting plate

Download CAD data → [www.festo.com](http://www.festo.com)

With female thread 3/4"/1/N3/4"/N1

With connecting plate AG.../AQ...



Type	B4	B5	B6	B7		B8	D1	D4	D5	L7	L8		T1	≅
					EX4							EX4		
MS9-LFR-3/4	90	104	91.5	-	-	-	G3/4	11	6.5	66	-	6	-	
MS9-LFR-1							G1							
MS9-LFR-AGD	-	-	-	112	122	-	132 G1/2	-	-	-	35	-	30	
MS9-LFR-AGE							132 G3/4						36	
MS9-LFR-AGF							142 G1						41	
MS9-LFR-AGG							162 G1 1/4						50	
MS9-LFR-AGH							176 G1 1/2						55	
MS9-LFR-N3/4	90	104	91.5	-	-	-	NPT3/4-14	11	6.5	66	-	6	-	
MS9-LFR-N1							NPT1-11 1/2							
MS9-LFR-AQR	-	-	-	112	-	-	132 NPT1/2-14	-	-	-	-	-	30	
MS9-LFR-AQS							132 NPT3/4-14						36	
MS9-LFR-AQT							142 NPT1-11 1/2						41	
MS9-LFR-AQU							162 NPT1 1/4-11 1/2						50	
MS9-LFR-AQV							176 NPT1 1/2-11 1/2						55	

• • Note: This product conforms to ISO 1179-1 and to ISO 228-1

# Filter regulators MS9-LFR, MS series

Technical data

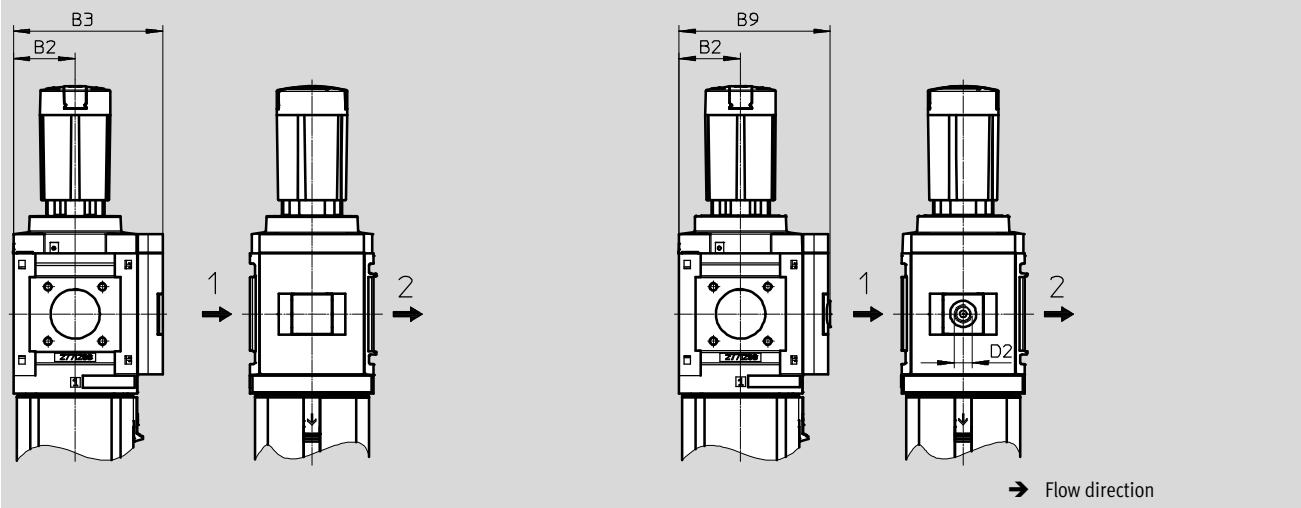
FESTO

## Dimensions – Pressure gauge alternatives

Download CAD data → [www.festo.com](http://www.festo.com)

Integrated MS pressure gauge with standard scale AG or red/green scale RG

Adapter plate A4 for EN pressure gauge 1/4, without pressure gauge



Type	B2	B3	B9	D2
MS9-LFR-...-AG/RG	45	109	-	-
MS9-LFR-...-A4		-	110	G1/4

Note: This product conforms to ISO 1179-1 and to ISO 228-1

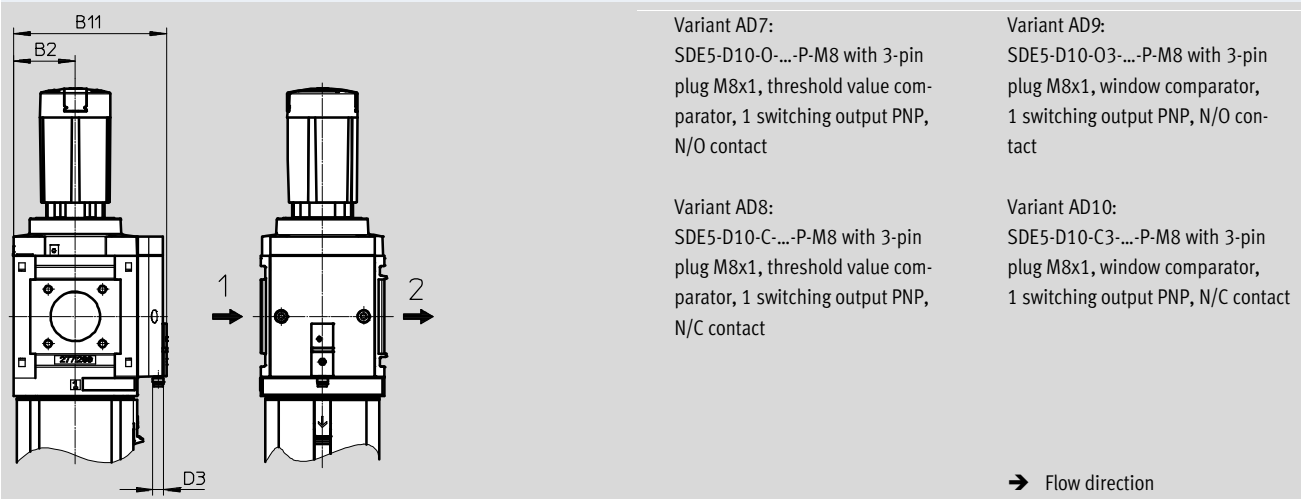
## Dimensions – Pressure gauge alternatives

Download CAD data → [www.festo.com](http://www.festo.com)

Pressure sensor without LCD display (operational status indicator only)

Technical data → Internet: [sde5](http://sde5.festo.com)

AD7 ... AD10



Type	B2	B11	D3
MS9-LFR-...-AD7/AD8/AD9/AD10	45	112	M8x1

# Filter regulators MS9-LFR, MS series

Technical data

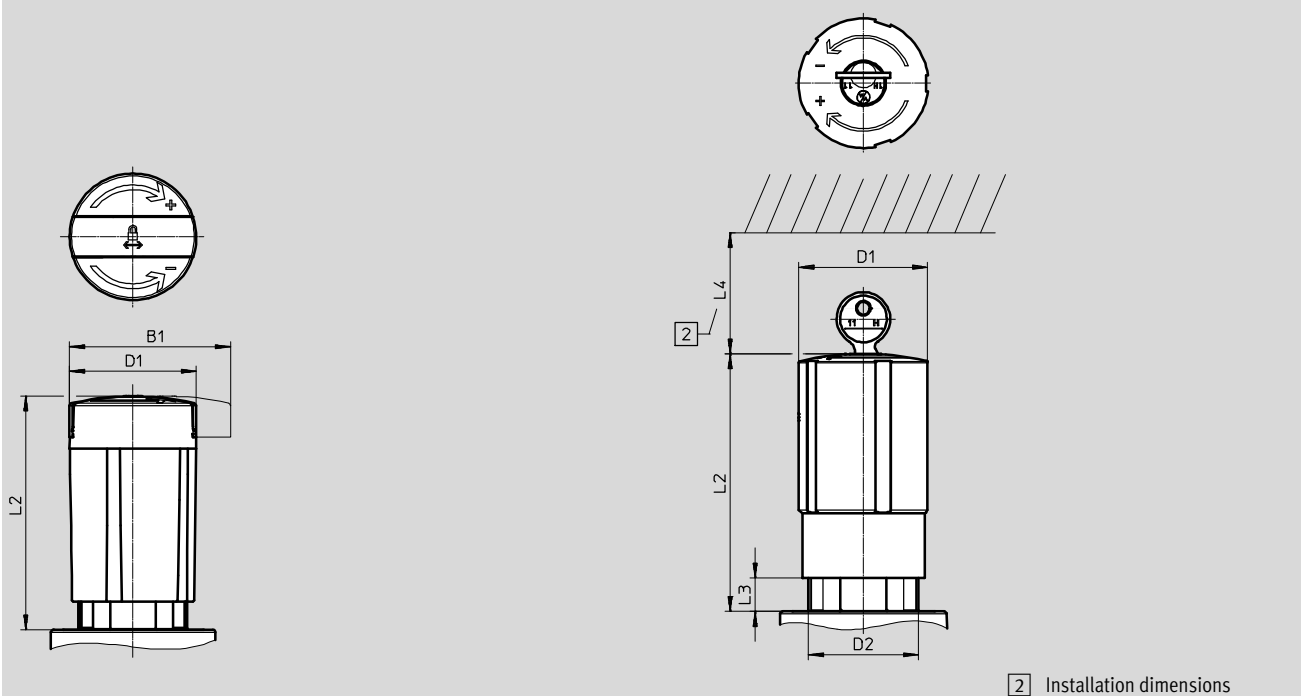
FESTO

## Dimensions – Rotary knob

Download CAD data → [www.festo.com](http://www.festo.com)

Rotary knob with detent, lockable via accessories AS

Rotary knob with integrated lock E11



2 Installation dimensions

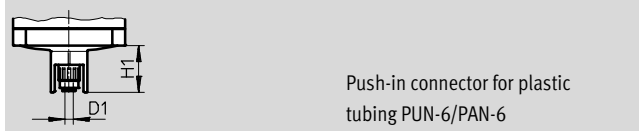
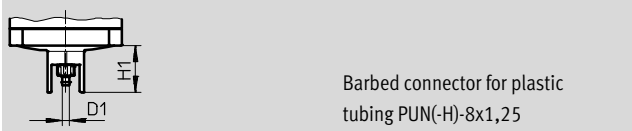
Type	B1	D1	D2	L2	L3	L4
MS9-LFR-...-AS	64.4	51.2	M44x1	94.5	-	-
MS9-LFR-...-E11	-			103.5	13.5	60

## Dimensions – Condensate drain

Download CAD data → [www.festo.com](http://www.festo.com)

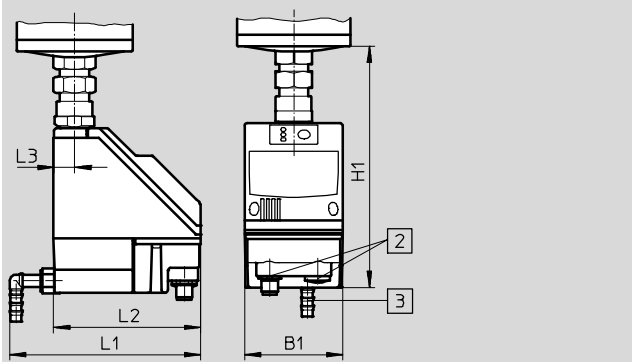
Manual rotary M/fully automatic V

Semi-automatic H



Fully automatic, electrically actuated E2/E3/E4

Technical data → Internet: [pwea](http://pwea)



Condensate drain PWEA:  
 2 Electrical connection: Screw terminal PG9  
 3 Connection 360° rotatable for plastic tubing PUN-H-12x2

Type	B1	D1	H1	L1	L2	L3
MS9-LFR-...-M/V	-	5.6	34.5	-	-	-
MS9-LFR-...-H		6.2				
MS9-LFR-...-E2/E3/E4	72	-	178	140	108	15

# Filter regulators MS9-LFR, MS series

Technical data

Ordering data					
Size	Condensate drain	Grade of filtration 5 µm		Grade of filtration 40 µm	
		Part No.	Type	Part No.	Type
Pressure regulation range 0.5 ... 7 bar, piloted filter-diaphragm regulator, integrated MS pressure gauge with standard scale AG, display unit [bar], rotary knob with detent, lockable via accessories					
MS9	Manual rotary	564114	MS9-LFR-G-D6-CUM-AG-BAR-AS	564110	MS9-LFR-G-D6-EUM-AG-BAR-AS
	Fully automatic	564115	MS9-LFR-G-D6-CUV-AG-BAR-AS	564111	MS9-LFR-G-D6-EUV-AG-BAR-AS
Pressure regulation range 0.5 ... 7 bar, directly actuated filter-diaphragm regulator, integrated MS pressure gauge with standard scale AG, display unit [bar], rotary knob with detent, lockable via accessories					
MS9	Manual rotary	564116	MS9-LFR-G-D6-CUM-DI-AG-BAR-AS	564112	MS9-LFR-G-D6-EUM-DI-AG-BAR-AS
	Fully automatic	564117	MS9-LFR-G-D6-CUV-DI-AG-BAR-AS	564113	MS9-LFR-G-D6-EUV-DI-AG-BAR-AS
Pressure regulation range 0.5 ... 7 bar, directly actuated filter-diaphragm regulator, integrated MS pressure gauge with standard scale AG, display unit [psi], rotary knob with detent, lockable via accessories					
MS9	Manual rotary	564128	MS9-LFR-NG-D6-CUM-DI-AG-PSI-AS	564124	MS9-LFR-NG-D6-EUM-DI-AG-PSI-AS
	Fully automatic	564129	MS9-LFR-NG-D6-CUV-DI-AG-PSI-AS	564125	MS9-LFR-NG-D6-EUV-DI-AG-PSI-AS
Pressure regulation range 0.5 ... 12 bar, piloted filter-diaphragm regulator, integrated MS pressure gauge with standard scale AG, display unit [bar], rotary knob with detent, lockable via accessories					
MS9	Manual rotary	564120	MS9-LFR-G-D7-CUM-AG-BAR-AS	564118	MS9-LFR-G-D7-EUM-AG-BAR-AS
	Fully automatic	564121	MS9-LFR-G-D7-CUV-AG-BAR-AS	564119	MS9-LFR-G-D7-EUV-AG-BAR-AS

# Filter regulators MS9-LFR, MS series

Ordering data – Modular products

Ordering table		Grid dimension [mm]	90	Condi-tions	Code	Enter code	
<b>M</b>	Module No.	<b>562531</b>					
	Series	Standard			<b>MS</b>	MS	
	Size	9			<b>9</b>	9	
	Function	Filter regulator			<b>-LFR</b>	-LFR	
	Pneumatic connection	Female thread G $\frac{3}{4}$		<input type="checkbox"/>	<b>-<math>\frac{3}{4}</math></b>		
		Female thread G1		<input type="checkbox"/>	<b>-1</b>		
		Connecting plate G $\frac{1}{2}$			<b>-AGD</b>		
		Connecting plate G $\frac{3}{4}$			<b>-AGE</b>		
		Connecting plate G1			<b>-AGF</b>		
		Connecting plate G1 $\frac{1}{4}$			<b>-AGG</b>		
		Connecting plate G1 $\frac{1}{2}$			<b>-AGH</b>		
		Female thread NPT $\frac{3}{4}$		<input type="checkbox"/>	<b>-N<math>\frac{3}{4}</math></b>		
		Female thread NPT1		<input type="checkbox"/>	<b>-N1</b>		
		Connecting plate NPT $\frac{1}{2}$		<input type="checkbox"/>	<b>-AQR</b>		
		Connecting plate NPT $\frac{3}{4}$		<input type="checkbox"/>	<b>-AQS</b>		
		Connecting plate NPT1		<input type="checkbox"/>	<b>-AQT</b>		
		Connecting plate NPT1 $\frac{1}{4}$		<input type="checkbox"/>	<b>-AQU</b>		
		Connecting plate NPT1 $\frac{1}{2}$		<input type="checkbox"/>	<b>-AQV</b>		
		Module without connecting thread, without connecting plate		<input type="checkbox"/>	<b>-G</b>		
		Module without connecting thread, without connecting plate (inch)		<input type="checkbox"/>	<b>-NG</b>		
		Pressure regulation range/ operation mode	0.5 ... 4 bar, manually operated			<b>-D5</b>	
	0.5 ... 7 bar, manually operated				<b>-D6</b>		
	0.5 ... 12 bar, manually operated				<b>-D7</b>		
	0.5 ... 16 bar, manually operated			<input type="checkbox"/>	<b>-D8</b>		
	Grade of filtration	40 $\mu$ m			<b>-E</b>		
		5 $\mu$ m			<b>-C</b>		
	Bowl	Metal bowl			<b>-U</b>	-U	
	Condensate drain	Manual			<b>-M</b>		
		Semi-automatic (P1 max. 12 bar)			<b>-H</b>		
		Fully automatic (P1 max. 12 bar)			<b>-V</b>		
		External, fully automatic, electric	110 V AC, terminals (P1 max. 16 bar)		<input type="checkbox"/>	<b>-E2</b>	
			230 V AC, terminals (P1 max. 16 bar)		<input type="checkbox"/>	<b>-E3</b>	
	24 V DC, terminals (P1 max. 16 bar)		<input type="checkbox"/>	<b>-E4</b>			

$\frac{3}{4}$ , 1, N $\frac{3}{4}$ , N1, AQR, AQS, AQT, AQU, AQV, G, NG, D8, E2, E3, E4, AD7, AD8, AD9, AD10, E11, WPM  
Not with EU certification EX4

- Mandatory data
- Options

Transfer order code

- 
 - 
 - 
 - 
 - 
 -

# Filter regulators MS9-LFR, MS series

Ordering data – Modular products

Ordering table					
Grid dimension	[mm]	90	Condi- tions	Code	Enter code
<b>O</b>	Regulator type	Directly actuated	<b>2</b>	<b>-DI</b>	
<b>M</b>	Pressure gauge/pressure gauge alternatives	MS pressure gauge		<b>-AG</b>	
		Cover plate		<b>-VS</b>	
		Adapter plate for EN pressure gauge 1/4, without pressure gauge		<b>-A4</b>	
		Integrated pressure gauge, red/green scale	<b>3</b>	<b>-RG</b>	
		Pressure sensor with operational status indicator, plug M8, threshold value comparator, PNP, N/O contact	<b>1 4</b>	<b>-AD7</b>	
		Pressure sensor with operational status indicator, plug M8, threshold value comparator, PNP, N/C contact	<b>1 4</b>	<b>-AD8</b>	
		Pressure sensor with operational status indicator, plug M8, window comparator, PNP, N/O contact	<b>1 4</b>	<b>-AD9</b>	
		Pressure sensor with operational status indicator, plug M8, window comparator, PNP, N/C contact	<b>1 4</b>	<b>-AD10</b>	
<b>O</b>	Alternative pressure gauge scale	psi	<b>5</b>	<b>-PSI</b>	
		MPa	<b>5</b>	<b>-MPA</b>	
		bar	<b>5</b>	<b>-BAR</b>	
	Secondary venting	Without secondary venting	<b>6</b>	<b>-OS</b>	
<b>M</b>	Security	Lockable via accessories		<b>-AS</b>	
		With integrated lock	<b>1</b>	<b>-E11</b>	
<b>O</b>	Type of mounting	Mounting bracket standard design	<b>7</b>	<b>-WP</b>	
		Mounting bracket for attaching the service units	<b>1 7</b>	<b>-WPM</b>	
		Mounting bracket for large wall gap	<b>7</b>	<b>-WPB</b>	
	EU certification	II 2GD to EU Explosion Protection Directive (ATEX)		<b>-EX4</b>	
	UL certification	cULus, ordinary location for Canada and USA		<b>-UL1</b>	
	Flow direction	Flow direction from right to left		<b>-Z</b>	

- 1** 3/4, 1, N3/4, N1, AQR, AQS, AQT, AQU, AQV, G, NG, D8, E2, E3, E4, AD7, AD8, AD9, AD10, **6 OS** Only with regulator type DI
- E11, WPM** **7 WP, WPM, WPB** Not with pneumatic connection G/NG
- Not with EU certification EX4
- 2 DI** Not with pressure regulation range D7, D8
- 3 RG** Not with alternative pressure gauge scale PSI
- PSI scale serves only as an auxiliary scale
- 4 AD7 ... AD10** Measuring range max. 10 bar
- 5 PSI, MPA, BAR** Not with pressure gauge alternatives VS, A4, AD7, AD8, AD9, AD10

**M** Mandatory data  
**O** Options

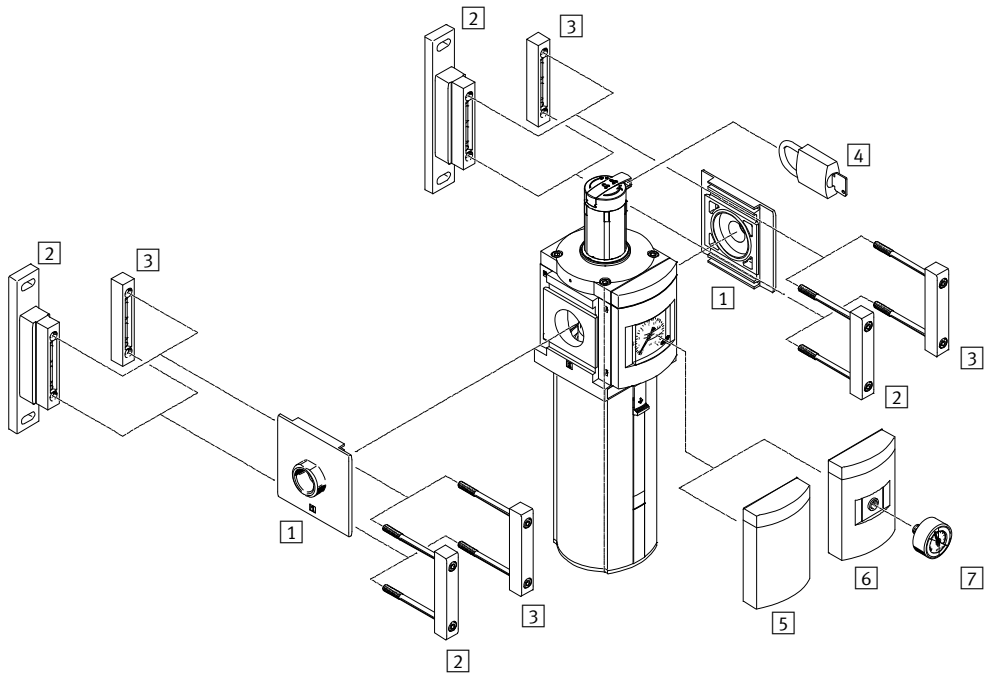
**Transfer order code**


- [ ] - [ ] - [ ] - [ ] - [ ] - [ ] - [ ] - [ ] - [ ]

# Filter regulators MS12-LFR, MS series

Peripherals overview

## Filter regulators MS12-LFR



 Note  
 Additional accessories:  
 – Module connector for combination with size MS9 → Internet: armv

### Mounting attachments and accessories

Mounting attachments and accessories		→ Page/Internet
1	Connecting plate-SET MS12-AG...	ms12-ag
2	Mounting bracket MS12-WP	ms12-wp
3	Module connector MS12-MV	ms12-mv
4	Padlock LRVS-D	50
5	Cover plate VS	48
6	Adapter for EN pressure gauge 1/4 A4	48
7	Pressure gauge MA	50



# Filter regulators MS12-LFR, MS series

Type codes

MS 12 - LFR - G - D7 - C U V - LD - AS

Series	
MS	Standard service unit
Size	
12	Grid dimension 124 mm
Service function	
LFR	Filter regulator
Pneumatic connection	
G	Module without connecting thread, without connecting plate Connecting plates → Accessories
Pressure regulation range	
D7	Pressure regulation range 0.5 ... 12 bar
Grade of filtration	
C	5 µm
E	40 µm
Bowl guard	
U	Integrated as metal bowl
Condensate drain	
V	Fully automatic
Rotary knob	
LD	Long rotary knob
Security	
AS	Rotary knob with detent, lockable via accessories

**Further variants can be ordered using the modular system → 48**

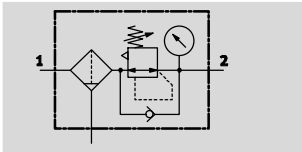
- Pneumatic connection
- Pressure regulation range
- Condensate drain
- Pressure gauge alternatives
- Alternative pressure gauge scale
- Security
- Type of mounting
- Flow direction

# Filter regulators MS12-LFR, MS series

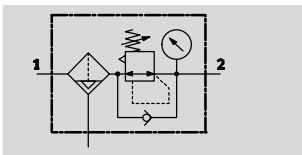
Technical data





FESTO

Function  
Condensate drain  
manual rotary  
with pressure gauge



Condensate drain  
fully automatic  
with pressure gauge




-  - Flow rate  
11,000 ... 17,000 l/min
-  - Temperature range  
-10 ... +60 °C
-  - Operating pressure  
0.8 ... 20 bar
-  - [www.festo.com](http://www.festo.com)



With this device, the filter and pressure regulator are combined into a single unit. The sintered filter with water separator removes contamination, pipe sinter, rust and condensate from the compressed air.

- Good control characteristics with low hysteresis and primary pressure compensation
- Good particle and condensate separation
- High flow rates
- Pilot actuated diaphragm regulator without intrinsic air consumption
- Three pressure regulation ranges: 0.3 ... 7 bar, 0.5 ... 12 bar and 0.5 ... 16 bar
- Pressure gauge connection for different fitting options
- Available with manual, fully automatic or fully automatic, electrically actuated condensate drain
- Regulator lock for protecting the values against adjustment
- Choice of filter cartridges: 5 µm or 40 µm
- New filter cartridges → 49

General technical data		
Pneumatic connection 1, 2		
Connecting plate AG...		G1, G1¼, G1½ or G2
Module without connecting thread/plate G		–
Design		
Filter regulator with/without pressure gauge		
Sintered filter with centrifugal separation		
Pilot actuated diaphragm regulator		
Regulating function		
Output pressure constant, with primary pressure compensation, with secondary venting		
Type of mounting		
Via accessories		
In-line installation		
Assembly position		
Vertical ±5°		
Grade of filtration [µm]		5
		40
Air purity class at the output		
Compressed air in accordance with ISO 8573-1:2010 [6:4:4] (Grade of filtration 5 µm)		
Compressed air in accordance with ISO 8573-1:2010 [7:4:4] (Grade of filtration 40 µm)		
Bowl guard		
Integrated as metal bowl		
Condensate drain		
Manual rotary		
Fully automatic		
Fully automatic, electrical actuated		
Regulator lock		
Rotary knob with detent, lockable via accessories		
Rotary knob with integrated lock		
Pressure regulation range	D6 [bar]	0.3 ... 7
	D7 [bar]	0.5 ... 12
	D8 [bar]	0.5 ... 16
Max. hysteresis [bar]		0.4
Pressure indicator		
With pressure gauge		
Max. condensate volume [cm³]		400

–  Note: This product conforms to ISO 1179-1 and to ISO 228-1

# Filter regulators MS12-LFR, MS series

Technical data

Standard nominal flow rate $q_{nN}^{1)}$ [l/min]					
Pneumatic connection	G1	G1¼	G1½	G2	
Grade of filtration	5 µm	11,000	11,500	12,000	14,000
	40 µm	12,000	12,500	13,000	17,000

- 1) Dependent on connecting plate selected, must be ordered separately as an accessory → Internet: ms12-ag  
 measured at  $p_1 = 10$  bar and  $p_2 = 6$  bar,  $\Delta p = 0.5$  bar  
 - 125 l/min must be available for the fully automatic condensate drain to close correctly.

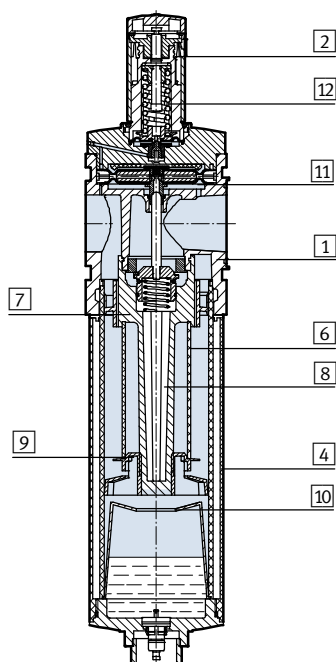
Operating and environmental conditions			
Condensate drain	Manual rotary M	Fully automatic V	Fully automatic, electrically actuated E2/E3/E4
Operating pressure [bar]	0.8 ... 20	2 ... 12	0.8 ... 16
Operating medium	Compressed air in accordance with ISO 8573-1:2010 [-:4:-]	Compressed air in accordance with ISO 8573-1:2010 [7:4:-]	Compressed air in accordance with ISO 8573-1:2010 [-:4:-]
	Inert gases		
Ambient temperature [°C]	-10 ... +60	+5 ... +60	+1 ... +60
Temperature of medium [°C]	-10 ... +60	+5 ... +60	+1 ... +60
Storage temperature [°C]	-10 ... +60	-10 ... +60	+1 ... +60
Corrosion resistance class CRC <sup>1)</sup>	2		

- 1) Corrosion resistance class CRC 2 to Festo standard FN 940070  
 Moderate corrosion stress. Indoor applications in which condensation may occur. External visible parts with primarily decorative requirements for the surface and which are in direct contact with the ambient atmosphere typical for industrial applications.

Weights [g]		
Rotary knob	Without integrated lock E11	With integrated lock E11
Filter regulator with metal bowl U	7,000	7,300
Filter regulator with metal bowl U and fully automatic, electrically actuated condensate drain E2/E3/E4	7,700	8,000

## Materials

Sectional view



Filter regulator		
1	Body	Die-cast aluminium
2	Rotary knob	PA
	Rotary knob with integrated lock E11	Aluminium
4	Metal bowl	Wrought aluminium alloy
6	Filter element	Sintered bronze
7	Spin disc	POM
8	Filter holder	POM
9	Separating plate	POM
10	Stabilising disc	POM
11	Diaphragm	NBR
12	Spring	Steel
-	Seals	NBR

# Filter regulators MS12-LFR, MS series

Technical data



## Standard flow rate $q_n$ as a function of output pressure $p_2$

Grade of filtration 40  $\mu\text{m}$

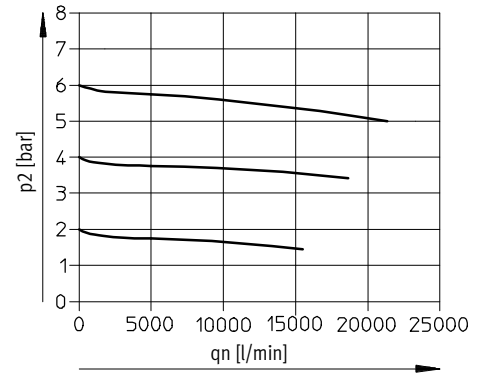
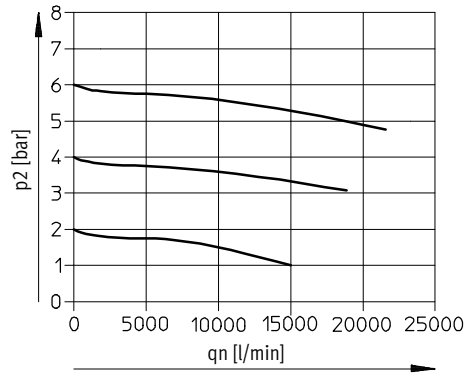
With connecting plate MS12-AGF

Pneumatic connection G1

With connecting plate MS12-AGG

Pneumatic connection G1¼

Input pressure  $p_1 = 10$  bar



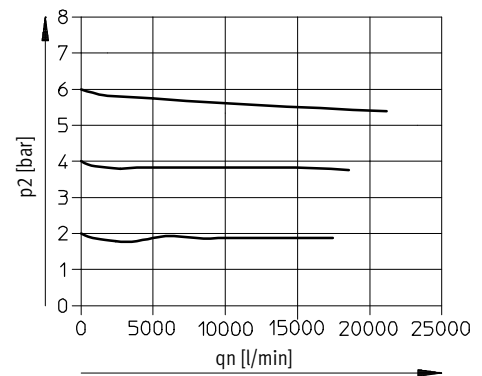
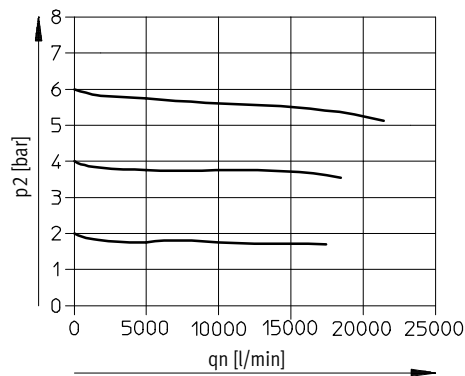
With connecting plate MS12-AGH

Pneumatic connection G1½

With connecting plate MS12-AGI

Pneumatic connection G2

Input pressure  $p_1 = 10$  bar



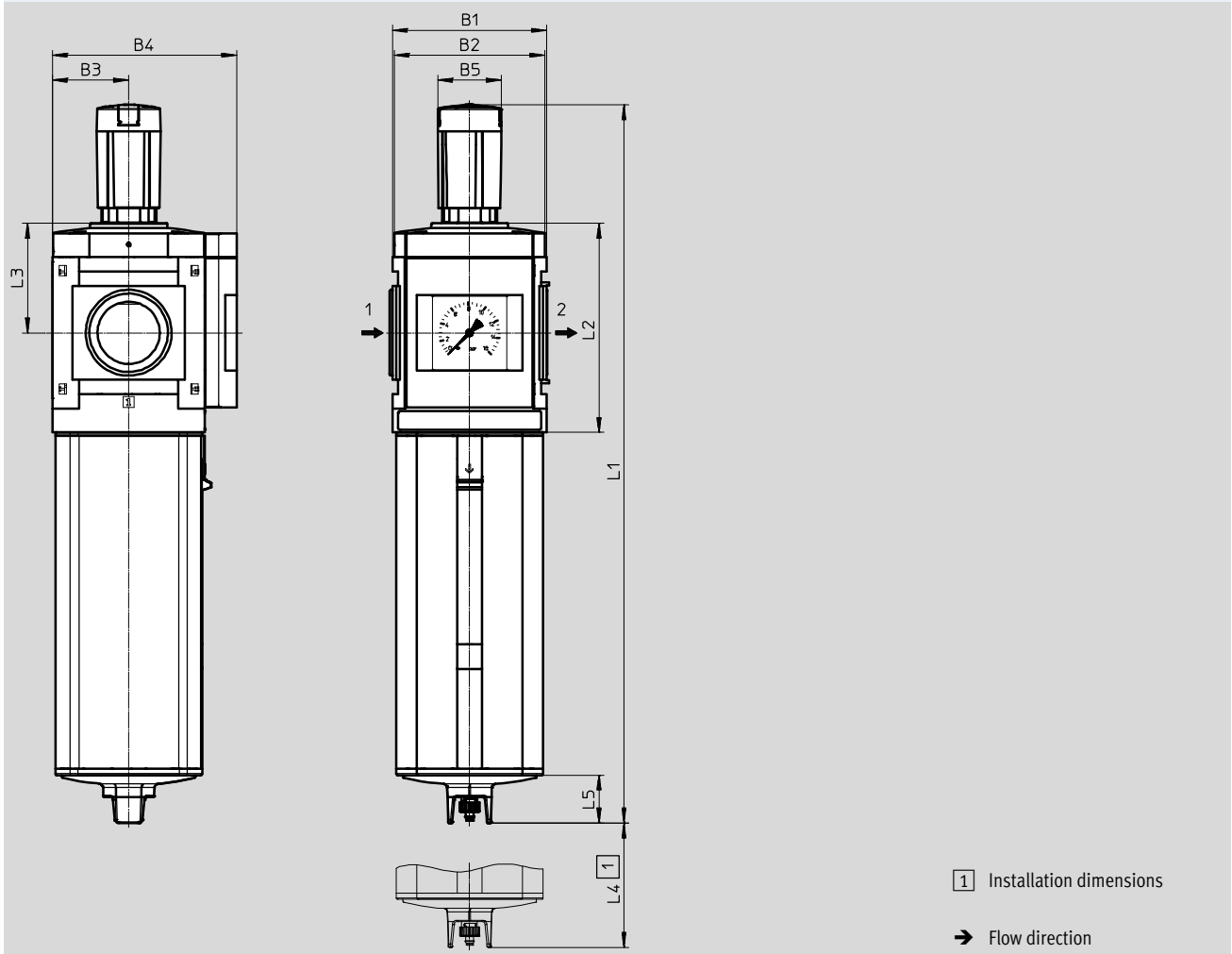
# Filter regulators MS12-LFR, MS series

Technical data

**Dimensions – Basic version**

Download CAD data → [www.festo.com](http://www.festo.com)

Module without connecting thread, without connecting plate, integrated MS pressure gauge with standard scale, long rotary knob with detent, lockable via accessories



Type	B1	B2	B3	B4	B5	L1	L2	L3	L4	L5
MS12-LFR-G	124	122	61	148	51.2 ∅	577	168	88	250	39

# Filter regulators MS12-LFR, MS series

Technical data

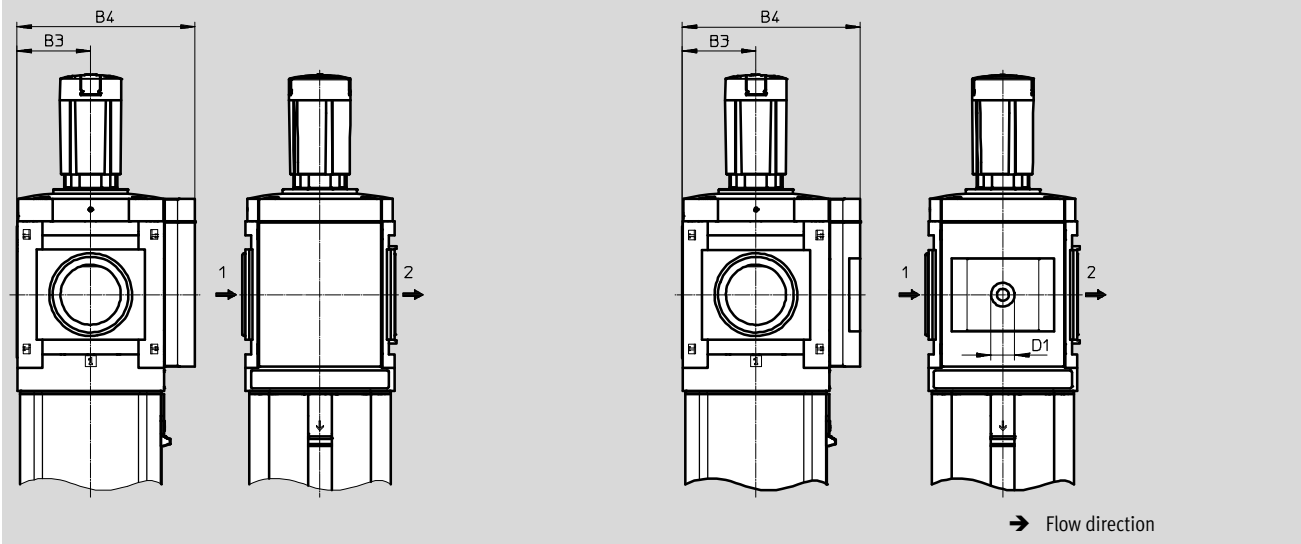


## Dimensions – Pressure gauge alternatives

Download CAD data → [www.festo.com](http://www.festo.com)

Cover plate VS

Adapter A4 for EN pressure gauge 1/4, without pressure gauge



Type	B3	B4	D4
MS12-LFR-...-VS	61	148	–
MS12-LFR-...-A4	61	148	G <sup>1</sup> / <sub>4</sub>

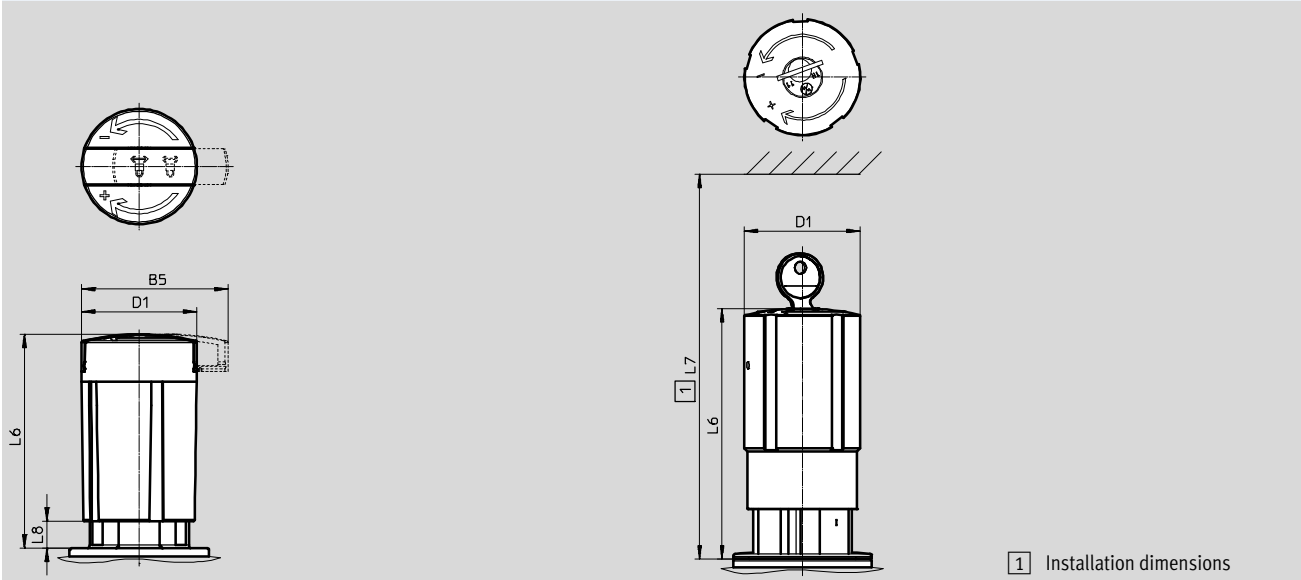
– Note: This product conforms to ISO 1179-1 and to ISO 228-1

## Dimensions – Rotary knob

Download CAD data → [www.festo.com](http://www.festo.com)

Long rotary knob with detent, lockable via accessories LD-AS

Rotary knob with integrated lock E11



Type	B5	D1	L6	L7	L8
MS12-LFR-...-LD-AS	64.4	∅ 51.2	96	–	12
MS12-LFR-...-E11	–	51.8	112	172	–

# Filter regulators MS12-LFR, MS series

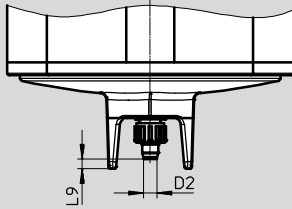
Technical data

**FESTO**

## Dimensions – Condensate drain

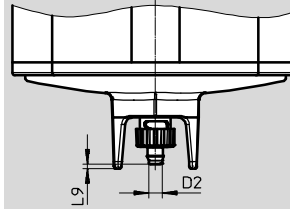
Download CAD data → [www.festo.com](http://www.festo.com)

### Manual rotary M



Barbed connector for plastic tubing PUN(-H)-8x1,25

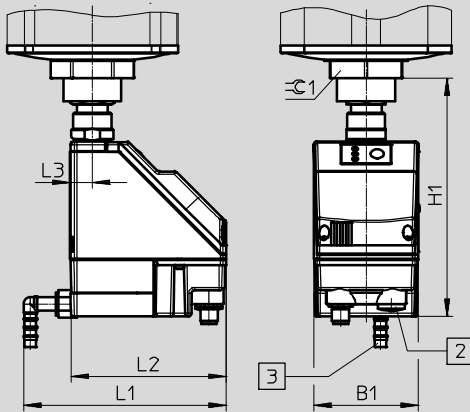
### Fully automatic V



Barbed connector for plastic tubing PUN(-H)-8x1,25

### Fully automatic, electrically actuated E2/E3/E4

Technical data → Internet: [pwea](http://pwea)



#### Condensate drain PWEA:

- 2 Electrical connection: Screw terminal PG9
- 3 Connection 360° rotatable for plastic tubing PUN-H-12x2

Type	B1	D2 Ø	H1	L1	L2	L3	L9	∅ 1
MS12-LFR-...-M	–	5.6	–	–	–	–	4	–
MS12-LFR-...-V	–	5.6	–	–	–	–	2	–
MS12-LFR-...-E2/E3/E4	72	–	164	140	108	15	–	50

## Ordering data

Size	Condensate drain	Grade of filtration 5 µm		Grade of filtration 40 µm	
		Part No.	Type	Part No.	Type
Pressure regulation range 0.5 ... 12 bar, metal bowl, integrated MS pressure gauge with standard scale, display unit [bar], long rotary knob with detent, lockable via accessories					
MS12	Fully automatic	537150	MS12-LFR-G-D7-CUV-LD-AS	537149	MS12-LFR-G-D7-EUV-LD-AS

# Filter regulators MS12-LFR, MS series



Ordering data – Modular products

Ordering table					
Grid dimension	[mm]	124	Condi- tions	Code	Enter code
<b>M</b>	Module No.	<b>535022</b>			
	Series	Standard		<b>MS</b>	MS
	Size	12		<b>12</b>	12
	Function	Filter regulator		<b>-LFR</b>	-LFR
	Pneumatic connection	Connecting plate G1		<b>-AGF</b>	
		Connecting plate G1¼		<b>-AGG</b>	
		Connecting plate G1½		<b>-AGH</b>	
		Connecting plate G2		<b>-AGI</b>	
		Module without connecting thread, without connecting plate		<b>-G</b>	
	Pressure regulation range	0.3 ... 7 bar		<b>-D6</b>	
		0.5 ... 12 bar		<b>-D7</b>	
		0.5 ... 16 bar		<b>-D8</b>	
	Grade of filtration	40 µm		<b>-E</b>	
		5 µm		<b>-C</b>	
	Bowl	Metal bowl		<b>-U</b>	-U
	Condensate drain	Manual		<b>-M</b>	
		Fully automatic (P1 max. 12 bar)	1	<b>-V</b>	
		External fully automatic condensate drain, electrical, 110 V AC, terminal strip		<b>-E2</b>	
		External fully automatic condensate drain, electrical, 230 V AC, terminal strip		<b>-E3</b>	
		External fully automatic condensate drain, electrical, 24 V DC, terminal strip		<b>-E4</b>	
<b>O</b>	Pressure gauge alternatives	Cover plate		<b>-VS</b>	
		Adapter plate for EN pressure gauge ¼, without pressure gauge		<b>-A4</b>	
	Alternative pressure gauge scale	psi	2	<b>-PSI</b>	
		MPa	2	<b>-MPA</b>	
	Rotary knob	Long rotary knob	3	<b>-LD</b>	
<b>M</b>	Security	Lockable via accessories	4	<b>-AS</b>	
		With integrated lock		<b>-E11</b>	
<b>O</b>	Type of mounting	Mounting bracket standard design	5	<b>-WP</b>	
	Flow direction	Flow direction from right to left		<b>-Z</b>	

- 1 **V** Not with pressure regulation range D8
- 2 **PSI, MPA** Not with pressure gauge alternatives VS, A4
- 3 **LD** Not with security E11
- 4 **AS** Only with rotary knob LD
- 5 **WP** Only with connecting plate AGF, AGG, AGH or AGI

- M** Mandatory data
- O** Options

### Transfer order code

535022 MS 12 - LFR - - - - U -



## Filter regulators MS-LFR, MS series

Accessories

FESTO

### Filter cartridges

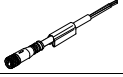
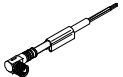




Ordering data			
Size	Grade of filtration [µm]	Part No.	Type
MS4	5 (colour: blue)	534501	MS4-LFP-C
	40 (colour: white)	534502	MS4-LFP-E
MS6	5 (colour: blue)	534499	MS6-LFP-C
	40 (colour: white)	534500	MS6-LFP-E
MS9	5	570309	MS9-LFP-C
	40	570310	MS9-LFP-E
MS12	5	537143	MS12-LFP-C
	40	537144	MS12-LFP-E


## Filter regulators MS-LFR, MS series

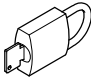
Accessories

FESTO

Ordering data – Connecting cable NEBU-M8				Technical data → Internet: nebu	
	Electrical connection	Number of wires	Cable length [m]	Part No.	Type
	M8x1, straight socket	3	2.5	★ 541333	NEBU-M8G3-K-2.5-LE3
			5	★ 541334	NEBU-M8G3-K-5-LE3
	M8x1, angled socket	3	2.5	★ 541338	NEBU-M8W3-K-2.5-LE3
			5	★ 541341	NEBU-M8W3-K-5-LE3

Ordering data – Connecting cable NEBU-M12				Technical data → Internet: nebu	
	Electrical connection	Number of wires	Cable length [m]	Part No.	Type
	M12x1, straight socket	4	2.5	★ 550326	NEBU-M12G5-K-2.5-LE4
			5	★ 541328	NEBU-M12G5-K-5-LE4
	M12x1, angled socket	4	2.5	550325	NEBU-M12W5-K-2.5-LE4
			5	541329	NEBU-M12W5-K-5-LE4

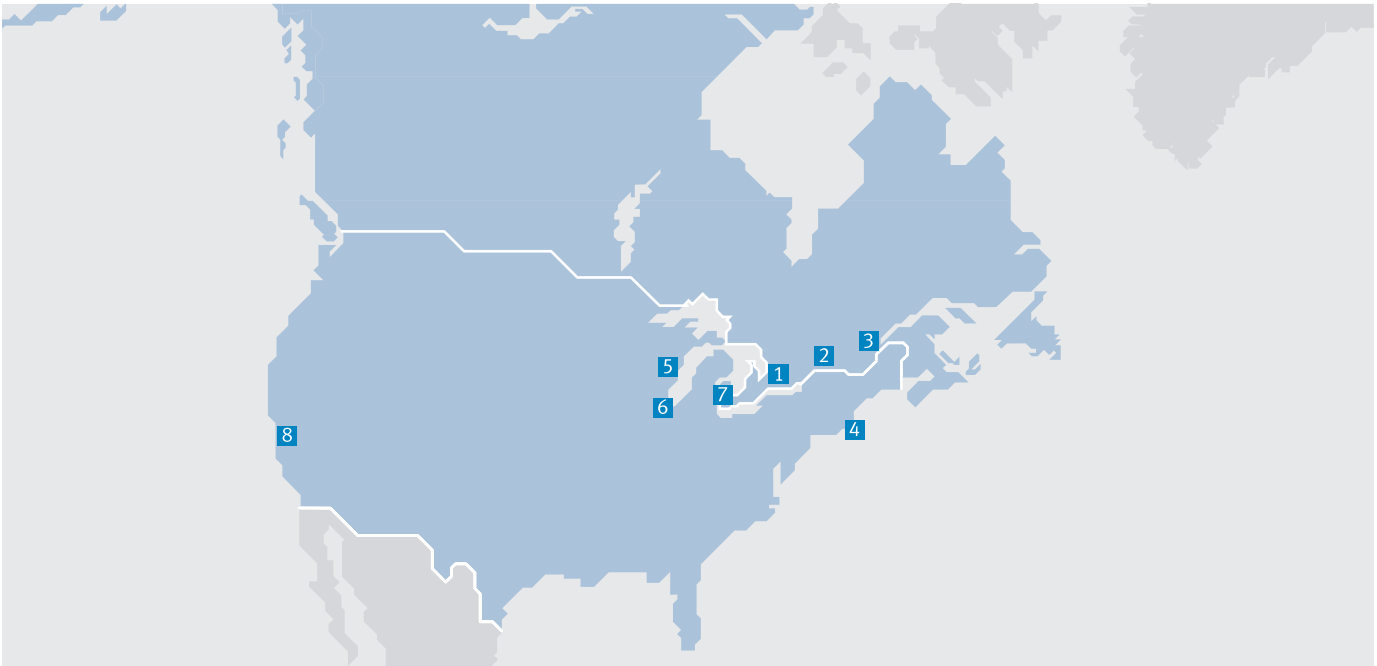
Ordering data – Pressure gauge MA					Technical data → Internet: ma	
	Nominal size	Pneumatic connection	Indicating range		Part No.	Type
			[bar]	[psi]		
	Pressure gauge MA, DIN EN 837-1				Technical data → Internet: ma	
	40	R $\frac{1}{4}$	0 ... 16	0 ... 232	187080	MA-40-16-R $\frac{1}{4}$ -EN
		G $\frac{1}{4}$	0 ... 16	0 ... 232	183901	MA-40-16-G $\frac{1}{4}$ -EN
	Pressure gauge MA, DIN EN 837-1, with red-green range				Technical data → Internet: ma	
40	R $\frac{1}{8}$	0 ... 16	–	525726	MA-40-16-R $\frac{1}{8}$ -E-RG	
50	R $\frac{1}{4}$	0 ... 16	–	525729	MA-50-16-R $\frac{1}{4}$ -E-RG	

Ordering data – Padlock LRVS-D			Technical data → Internet: ma	
	Weight [g]		Part No.	Type
	120		193786	LRVS-D

Festo core product range

- ★ Ready for dispatch from the Festo factory in 24 hours
- ☆ Ready for dispatch in 5 days maximum from stock

# Festo North America



**1 Festo Canada  
Headquarters  
Festo Inc.**  
5300 Explorer Drive  
Mississauga, ON  
L4W 5G4

**2 Montréal**  
5600, Trans-Canada  
Pointe-Claire, QC  
H9R 1B6

**3 Québec City**  
2930, rue Watt#117  
Québec, QC  
G1X 4G3



**4 Festo United States  
Headquarters  
Festo Corporation**  
395 Moreland Road  
Hauppauge, NY  
11788

**5 Appleton**  
North 922 Tower View Drive, Suite N  
Greenville, WI  
54942

**7 Detroit**  
1441 West Long Lake Road  
Troy, MI  
48098

**6 Chicago**  
85 W Algonquin - Suite 340  
Arlington Heights, IL  
60005

**8 Silicon Valley**  
4935 Southfront Road, Suite F  
Livermore, CA  
94550

## Festo Regional Contact Center

### Canadian Customers

Commercial Support:  
Tel: 1 877 GO FESTO (1 877 463 3786)  
Fax: 1 877 FX FESTO (1 877 393 3786)  
Email: festo.canada@ca.festo.com

Technical Support:  
Tel: 1 866 GO FESTO (1 866 463 3786)  
Fax: 1 877 FX FESTO (1 877 393 3786)  
Email: technical.support@ca.festo.com

### USA Customers

Commercial Support:  
Tel: 1 800 99 FESTO (1 800 993 3786)  
Fax: 1 800 96 FESTO (1 800 963 3786)  
Email: customer.service@us.festo.com

Technical Support:  
Tel: 1 866 GO FESTO (1 866 463 3786)  
Fax: 1 800 96 FESTO (1 800 963 3786)  
Email: product.support@us.festo.com