

Connecting cables for valves, socket type A, EN 175301-803

Type codes – Connecting cable with PUR cable sheath

NEBV - A1 W 3 F - P - K - 0.6 - N - LE 3

Function

NEBV	Connecting cables for valves
------	------------------------------

Connection technology on left, field device side

A1	Plug socket type A, EN 175301-803
----	-----------------------------------

Cable outlet, left

W	Angled
---	--------

Number of pins/wires, left

3	3-pin
---	-------

Display

-	None
F	Signal status LED

Circuitry

-	None
P	Integrated protective circuit

Cable characteristic

K	Standard
---	----------

Cable length

0.3	0.3 m
0.6	0.6 m

Cable identification

N	Without inscription label holder
---	----------------------------------

Connection technology on right, control side

LE	Open end
M12	Plug connector M12x1, A-coded, EN 61076-2-101

Cable outlet, right

-	Open end
W	Angled

Number of pins/wires, right

3	3-pin
---	-------

Connecting cables for valves, socket type A, EN 175301-803

Type codes – Connecting cable with PVC cable sheath

KMC - 1 - 24 - 10 - LED

Function/connection technology on left, field device side

KMC	Connecting cables for valves Plug socket type A, EN 175301-803
-----	---

Series

1	Series 1
---	----------

Operating voltage

24	24 V DC
24DC	24 V DC
230AC	230 V AC

Cable length

2,5	2.5 m
5	5 m
10	10 m

Display

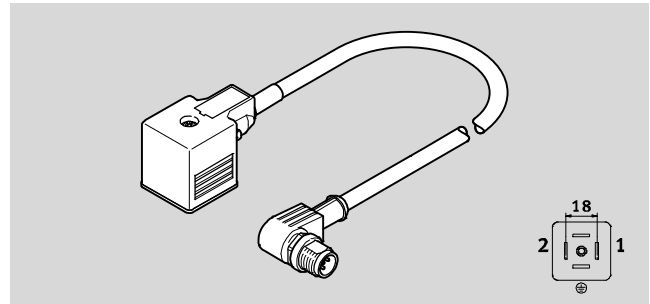
LED	Signal status LED
-----	-------------------

Connecting cables for valves, socket type A, EN 175301-803

Technical data – Connecting cable with PUR cable sheath

Connecting cable NEBV-A1W3

- Connecting cable
- Pre-assembled at one or both ends
- For connecting valves



General technical data		
Electrical connection 1		
Function	Field device side	
Connection type	Socket	
Cable outlet	Angled	
Design	Square	
Connection technology	Connection pattern type A, EN 175301-803	
Number of pins/wires	4	
Assigned pins/wires	4	
Type of mounting	On solenoid valve via central screw M3	
Electrical connection 2		
Function	Controller side	
Connection type	Cable	Plug connector
Cable outlet	–	Angled
Design	–	Round
Connection technology	Open end	M12x1, A-coded, to EN 61076-2-101
Number of pins/wires	3	5
Assigned pins/wires	3	3
Type of mounting	–	Screw locking with spanner size 13 (hexagonal)

Technical data – Electrical				
Nominal operating voltage	[V AC/DC]	24	110	230
Nominal operating voltage	[V AC/DC]	24	110	230
Operating voltage range	[V AC]	18 ... 30	0 ... 110	0 ... 230
	[V DC]	18 ... 30	0 ... 110	0 ... 230
Surge resistance	[kV]	0.8	1.5	4
Current rating at 40 °C	[A]	4	1	10
Degree of contamination		3	3	3
Display		Yellow LED, signal status display	–	–
Additional functions		Protective circuit	–	–
Protective earth connection		Yes	Yes	Yes

Technical data – Cable		
Cable composition	[mm ²]	3 x 0.75
Cable diameter	[mm]	5.9
Cable diameter tolerance	[mm]	±0.3
Cable characteristic		Standard
Cable test conditions		Test conditions on request
Cable identification		Without inscription label holder

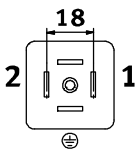
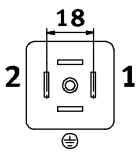
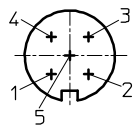
Connecting cables for valves, socket type A, EN 175301-803

Technical data – Connecting cable with PUR cable sheath

Materials		
Electrical connection 2	Connection technology	
	Open end	M12x1, A-coded, to EN 61076-2-101
Housing	TPE-U (PUR)	TPE-U (PUR)
Housing colour	Black	Black
Union nut	–	Nickel-plated die-cast zinc
Insulating sheath	PP	PP
Cable sheath	TPE-U (PUR)	TPE-U (PUR)
Cable sheath colour	Grey	Grey
Note on materials	RoHS compliant	RoHS compliant
	Contains paint-wetting impairment substances	Contains paint-wetting impairment substances

Operating and environmental conditions				
Nominal operating voltage	[V AC/DC]	24	110	230
Ambient temperature	[°C]	-25 ... +80	-25 ... +80	-25 ... +80
Ambient temperature with flexible cable installation	[°C]	-25 ... +80	-25 ... +80	-25 ... +80
CE mark (see declaration of conformity) ¹⁾		–	To EU Low Voltage Directive	To EU Low Voltage Directive
Certification		c CSA us (OL)	c CSA us (OL)	c CSA us (OL)
Degree of protection		IP67	IP67	IP67
Note on degree of protection		In mounted state	In mounted state	In mounted state

1) Additional information www.festo.com/sp → Certificates.

Circuitry (view of socket/plug connector)				
Electrical connection 1	Pin	Wire colour ¹⁾	Pin	Electrical connection 2
Electrical connection 2, connection technology open end				
	1	BK	–	Open end
	2	BK	–	Open end
	GND	GN YE	–	Open end
Electrical connection 2, connection technology M12x1 A-coded to EN 61076-2-101				
	1	BK	3	
	2	BK	4	
	GND	GN YE	5	

1) To IEC 757

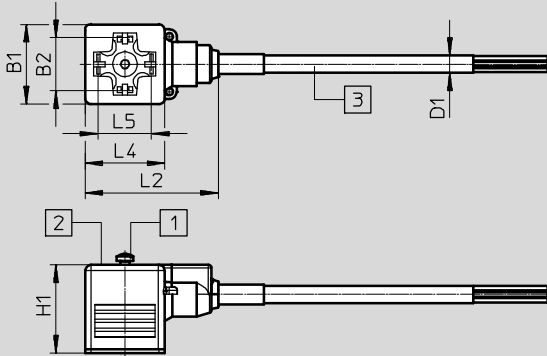
Connecting cables for valves, socket type A, EN 175301-803

Technical data – Connecting cable with PUR cable sheath

Dimensions

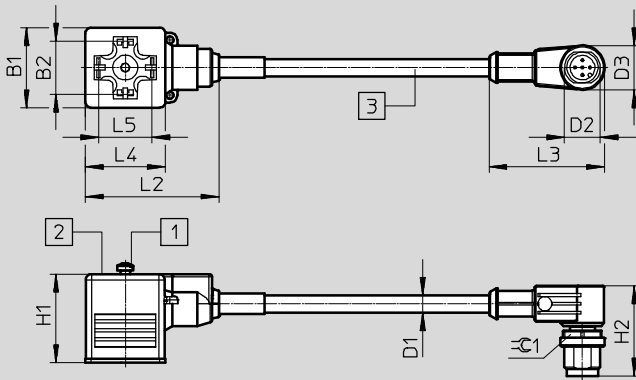
Download CAD data → www.festo.com

Electrical connection 2, connection technology open end



- 1 M3 mounting screw
- 2 Signal status display for version P
- 3 Cable, length depending on order

Electrical connection 2, connection technology plug connector M12x1



- 1 M3 mounting screw
- 2 Signal status display for version P
- 3 Cable, length depending on order

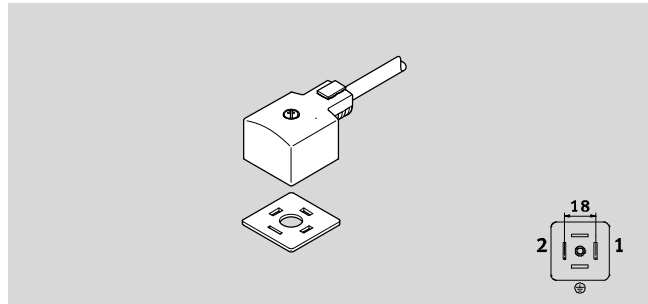
Type	B1	B2	D1 Ø	D2	D3 Ø	H1	H2	L2	L3	L4	L5	≙C1
NEBV-A1W3-...-LE3	27	18	5.9	-	-	30	-	45	-	27	18	-
NEBV-A1W3-...-M12W3	27	18	5.9	M12x1	15	30	31	45	39	27	18	13

Connecting cables for valves, socket type A, EN 175301-803

Technical data – Connecting cable with PVC cable sheath

Connecting cable KMC

- Connecting cable
- Pre-assembled at one end
- For connecting valves



General technical data	
Electrical connection 1	
Function	Field device side
Connection type	Socket
Cable outlet	Angled
Design	Square
Connection technology	Connection pattern type A, EN 175301-803
Number of pins/wires	4
Assigned pins/wires	4
Type of mounting	On solenoid valve via central screw M3
Electrical connection 2	
Function	Controller side
Connection type	Cable
Connection technology	Open end
Number of pins/wires	3
Assigned pins/wires	3

Technical data – Electrical			
Nominal operating voltage	[V]	24 DC	230 AC
Nominal operating voltage	[V]	24 DC	230 AC
Operating voltage range	[V AC]	–	230 ... 254.5
	[V DC]	20.4 ... 27.6	–
Current rating at 40 °C	[A]	4	4
Degree of contamination		3	3
Display		Yellow LED, signal status display	–
Protective earth connection		Yes	Yes

Technical data – Cable		
Cable composition	[mm ²]	3 x 0.75
Cable diameter	[mm]	6
Cable characteristic		Standard
Cable test conditions		Test conditions on request
Cable identification		Without inscription label holder

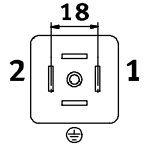
Connecting cables for valves, socket type A, EN 175301-803

Technical data – Connecting cable with PVC cable sheath

Materials	
Housing	PC
Cable sheath	PVC
Pin contacts	Bronze

Operating and environmental conditions		
Nominal operating voltage [V]	24 DC	230 AC
Ambient temperature [°C]	-20 ... +80	-20 ... +80
CE mark (see declaration of conformity) ¹⁾	-	To EU Low Voltage Directive
Degree of protection	IP67	IP67
Note on degree of protection	In mounted state	In mounted state
Maritime classification ¹⁾	-	See certificate

1) Additional information www.festo.com/sp → Certificates.

Circuitry (view of socket/plug connector)				
Electrical connection 1	Pin	Wire colour ¹⁾	Pin	Electrical connection 2
	1	BK	-	Open end
	2	BK	-	Open end
	GND	GNYE	-	Open end

1) To IEC 757

Connecting cables for valves, socket type A, EN 175301-803

Technical data – Connecting cable with PVC cable sheath

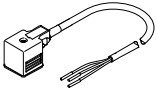
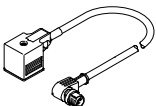
Dimensions Download CAD data → www.festo.com

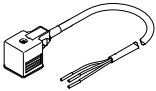
- 1 LED illuminated area
- 2 Inscription label IBS-6x10
- 3 3-wire cable
- 4 Connection pattern to EN 175301-803, type A
- 5 M3 mounting screw
- 6 Seal

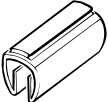
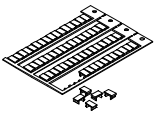
Type	B1	D1 Ø	D2 Ø	H1	H2	H3	L1	L2	L3	L4
KMC-1-...-2,5	27	6	M3	28	22.5	1.5	2550	50	42	27
KMC-1-...-5							5050			
KMC-1-...-10							10050			

Connecting cables for valves, socket type A, EN 175301-803

Ordering data

Ordering data – Connecting cable with PUR cable sheath						
	Nominal operating voltage [V]		Cable length [m]	Weight [g]	Part No.	Type
Electrical connection 2, connection technology open end						
	24 AC/DC	<ul style="list-style-type: none"> • Signal status display • Protective circuit 	0.6	80	3679776	NEBV-A1W3F-P-K-0.6-N-LE3
	230 AC/DC	–	0.6	80	3579466	NEBV-A1W3-K-0.6-N-LE3
Electrical connection 2, connection technology M12x1 A-coded to EN 61076-2-101						
	24 AC/DC	<ul style="list-style-type: none"> • Signal status display • Protective circuit 	0.3	60	3679771	NEBV-A1W3F-P-K-0.3-N-M12W3
			0.6	100	3679772	NEBV-A1W3F-P-K-0.6-N-M12W3
	110 AC/DC	–	0.3	60	3579461	NEBV-A1W3-K-0.3-N-M12W3
			0.6	100	3579462	NEBV-A1W3-K-0.6-N-M12W3

Ordering data – Connecting cable with PVC cable sheath						
	Nominal operating voltage [V]		Cable length [m]	Weight [g]	Part No.	Type
Electrical connection 2, connection technology open end						
	24 DC	Signal status display	2.5	170	30931	KMC-1-24DC-2,5-LED
			5	320	30933	KMC-1-24DC-5-LED
			10	620	193459	KMC-1-24-10-LED
	230 AC	–	2.5	170	30932	KMC-1-230AC-2,5
			5	320	30934	KMC-1-230AC-5

Ordering data – Accessories						
					Part No.	Type
	Inscription clips for placing on a cable with diameter 5 ... 8 mm		11x20 mm		33361	KM-BZ
	Inscription labels for connecting cable KMF, 64 per frame		6x10 mm		18576	IBS-6x10

Connecting cables for valves, socket type A, EN 175301-803

Ordering data – Modular product system

Ordering table		Condi- tions	Code	Entry code
M	Module no.	8003577		
	Connecting cable	Connecting cables for valves	NEBV	NEBV
	Connection technology on left, field device side	Plug socket type A, EN 175301-803	-A1	-A1
	Cable outlet, left	Angled	W	W
	Number of pins/wires, left	3-pin	3	3
O	Display	None Signal status LED	F	
	Circuitry	None Integrated protective circuit	-P	
M	Cable characteristic	Standard	-K	-K
	Cable length [m]	0.3	-0.3	
	[m]	0.6	-0.6	
	Cable identification	Without inscription label holder	-N	-N
	Connection technology on right, control side	Open end Plug connector M12x1, A-coded, EN 61076-2-101	-LE -M12	
O	Cable outlet, right	None Angled	W	
M	Number of pins/wires, right	3-pin	3	3

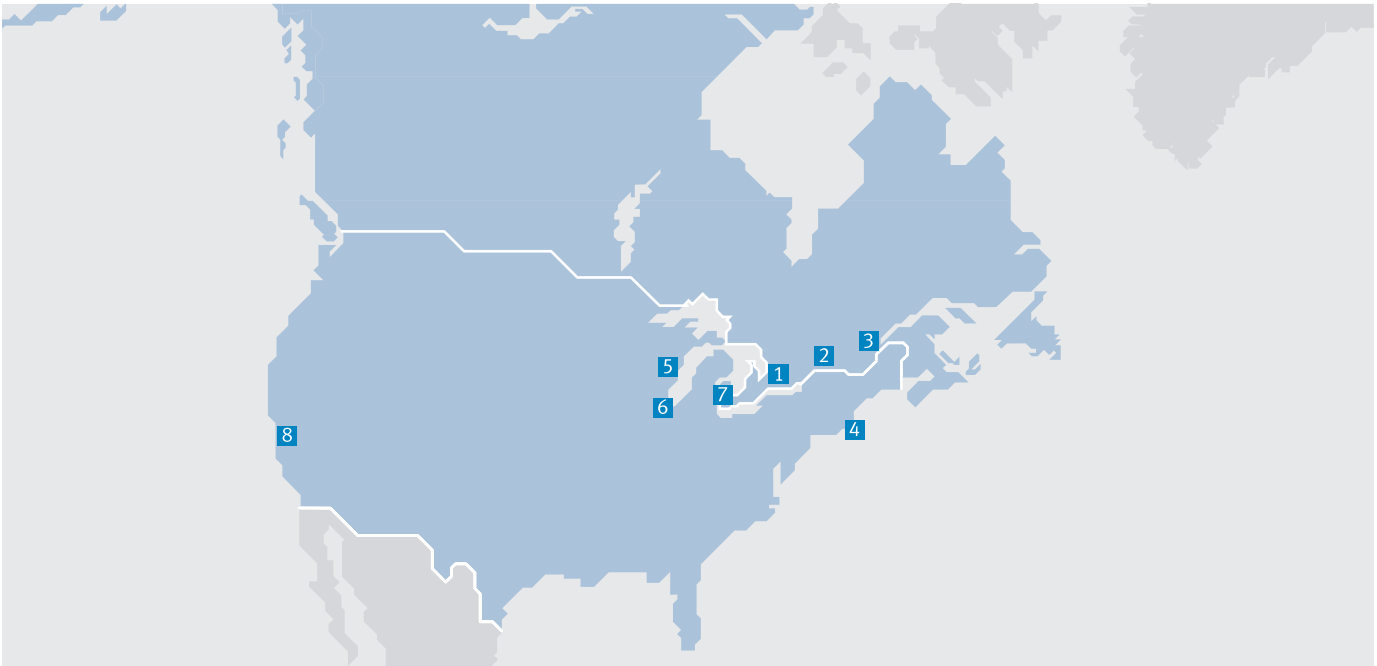
1 -0.3, W Only with connection technology on right M12

- M** Mandatory data
- O** Options

Transfer order code

8003577 - NEBV - A1 W 3 - - K - N - 3

Festo North America



**1 Festo Canada
Headquarters
Festo Inc.**
5300 Explorer Drive
Mississauga, ON
L4W 5G4

2 Montréal
5600, Trans-Canada
Pointe-Claire, QC
H9R 1B6

3 Québec City
2930, rue Watt#117
Québec, QC
G1X 4G3



**4 Festo United States
Headquarters
Festo Corporation**
395 Moreland Road
Hauppauge, NY
11788

5 Appleton
North 922 Tower View Drive, Suite N
Greenville, WI
54942

7 Detroit
1441 West Long Lake Road
Troy, MI
48098

6 Chicago
85 W Algonquin - Suite 340
Arlington Heights, IL
60005

8 Silicon Valley
4935 Southfront Road, Suite F
Livermore, CA
94550

Festo Regional Contact Center

Canadian Customers

Commercial Support:
Tel: 1 877 GO FESTO (1 877 463 3786)
Fax: 1 877 FX FESTO (1 877 393 3786)
Email: festo.canada@ca.festo.com

Technical Support:
Tel: 1 866 GO FESTO (1 866 463 3786)
Fax: 1 877 FX FESTO (1 877 393 3786)
Email: technical.support@ca.festo.com

USA Customers

Commercial Support:
Tel: 1 800 99 FESTO (1 800 993 3786)
Fax: 1 800 96 FESTO (1 800 963 3786)
Email: customer.service@us.festo.com

Technical Support:
Tel: 1 866 GO FESTO (1 866 463 3786)
Fax: 1 800 96 FESTO (1 800 963 3786)
Email: product.support@us.festo.com