

Connecting cables for valves, plug pattern ZC, self-tapping screw

Type codes

NEBV - Z3 WA 2 L - R - E - 5 - N - LE 2 - S1

Function

NEBV Connecting cables for valves

Connection technology on left, field device side

Z3 Socket, plug pattern ZC, self-tapping screw

Cable outlet left

WA Angled 45°

Number of pins/wires, left

2 2-pin

Display

L Signal status LED

Circuitry

R Holding current reduction with integrated protective circuit

Cable characteristic

E Suitable for energy chains

Cable length

2,5	2.5 m
5	5 m
10	10 m

Cable designation

N Without inscription label holder

Connection technology on right, controller side

LE Open end

Number of pins/wires, right

2 2-wire

Degree of protection for electrics

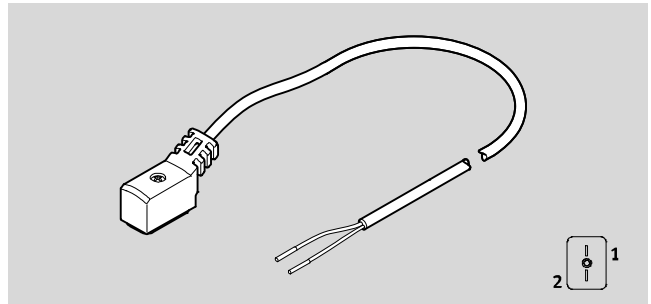
S1 IP65

Connecting cables for valves, plug pattern ZC, self-tapping screw

Technical data

Connecting cable NEBV-Z3WA2L

- Connecting cable
- Pre-assembled at both ends
- For connecting valves



General technical data	
Electrical connection 1	
Function	Field device side
Connection type	Socket
Cable outlet	Angled
Constructional design	Square
Connection technology	Plug pattern ZC, self-tapping screw
Number of pins/wires	2
Assigned pins/wires	2
Type of mounting	On solenoid valve via self-tapping screw
Signal status display	Yellow LED
Additional functions	Holding current reduction, protective circuit
Electrical connection 2	
Function	Controller side
Connection type	Cable
Connection technology	Open end
Number of pins/wires	2
Assigned pins/wires	2

Technical data – Electrical		
Nominal operating voltage	[V DC]	24
Operating voltage range	[V DC]	20.4 ... 26.4
Surge resistance	[kV]	2.4
Degree of contamination		3
Connection frequency		50
Protection against polarity reversal		Bipolar
Protective earth connection		Not present

Technical data – Cable		
Cable composition	[mm ²]	2 x 0.14
Cable diameter	[mm]	2.9
Cable diameter tolerance	[%]	±0.1
Conductor nominal cross section	[mm ²]	0.14
Cable characteristic		Suitable for use with energy chains
Cable test conditions		Test conditions on request
Bending radius, flexible cable installation	[mm]	≥29
Cable identification		Without inscription label holder

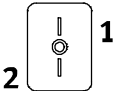
Connecting cables for valves, plug pattern ZC, self-tapping screw

Technical data

Materials	
Housing	TPE-U(PU)
Housing colour	Black
Insulating sheath	PP
Screws	Steel
Pin contacts	Tin-plated copper alloy
Cable sheath	TPE-U (PUR)
Cable sheath colour	Grey
Note on materials	RoHS compliant

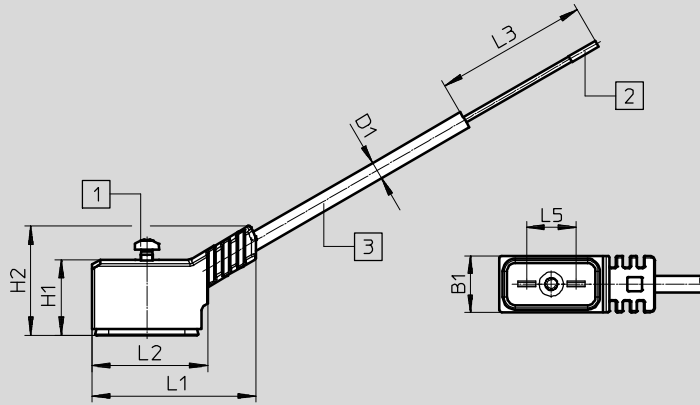
Operating and environmental conditions	
Ambient temperature [°C]	-10 ... +50
CE marking (see declaration of conformity)	To EU EMC Directive ¹⁾
Degree of protection	IP65
Note on degree of protection	In mounted state

1) For information about the applicability of the component see the manufacturer's EC declaration of conformity at: www.festo.com/sp → User documentation.
If the component is subject to restrictions on usage in residential, office or commercial environments or small businesses, further measures to reduce the emitted interference may be necessary.

Circuitry (socket/plug view)				
Electrical connection 1	Pin	Wire colour ¹⁾	Pin	Electrical connection 2
	1	BK	-	Open end
	2	BK	-	

1) To IEC 757

Dimensions Download CAD data → www.festo.com



1 Mounting screw
2 Wire-end sleeve
3 Cable, length depending on order

Type	B1	D1 ∅	H1	H2	L1	L2	L3	L5
NEBV-Z3WA2L	9.7	2.9	12	17.5	26.9	19	50	8.4

Connecting cables for valves, plug pattern ZC, self-tapping screw

Technical data

Ordering data				
Electrical connection	Cable length [m]	Weight [g]	Part No.	Type
Angled socket, plug pattern ZC, self-tapping screw	2.5	50	8047676	NEBV-Z3WA2L-R-E-2.5-N-LE2-S1
	5	90	8047677	NEBV-Z3WA2L-R-E-5-N-LE2-S1
	10	170	8047675	NEBV-Z3WA2L-R-E-10-N-LE2-S1

Connecting cables for valves, plug pattern ZC, self-tapping screw

FESTO

Ordering data – Modular product system

Ordering table		Condi- tions	Code	Entry code
M	Module no.	8003577		
	Connecting cable	Connecting cables for valves	NEBV	NEBV
	Connection technology on left, field device side	Socket, plug pattern ZC, self-tapping screw	-Z3	-Z3
	Cable outlet, left	Angled 45°	WA	WA
	Number of pins/wires, left	2-pin	2	2
	Display	Signal status LED	L	L
	Circuitry	Holding current reduction with integrated protective circuit	-R	-R
	Cable characteristic	Suitable for use with energy chains	-E	-E
	Line length	[m] 2.5	-2,5	
		[m] 5	-5	
		[m] 10	-10	
	Cable identification	Without inscription label holder	-N	-N
	Connection technology on right, control side	Open end	-LE	-LE
	Number of pins/wires, right	2-pin	2	2
	Degree of protection for electrics	IP65	-S1	-S1

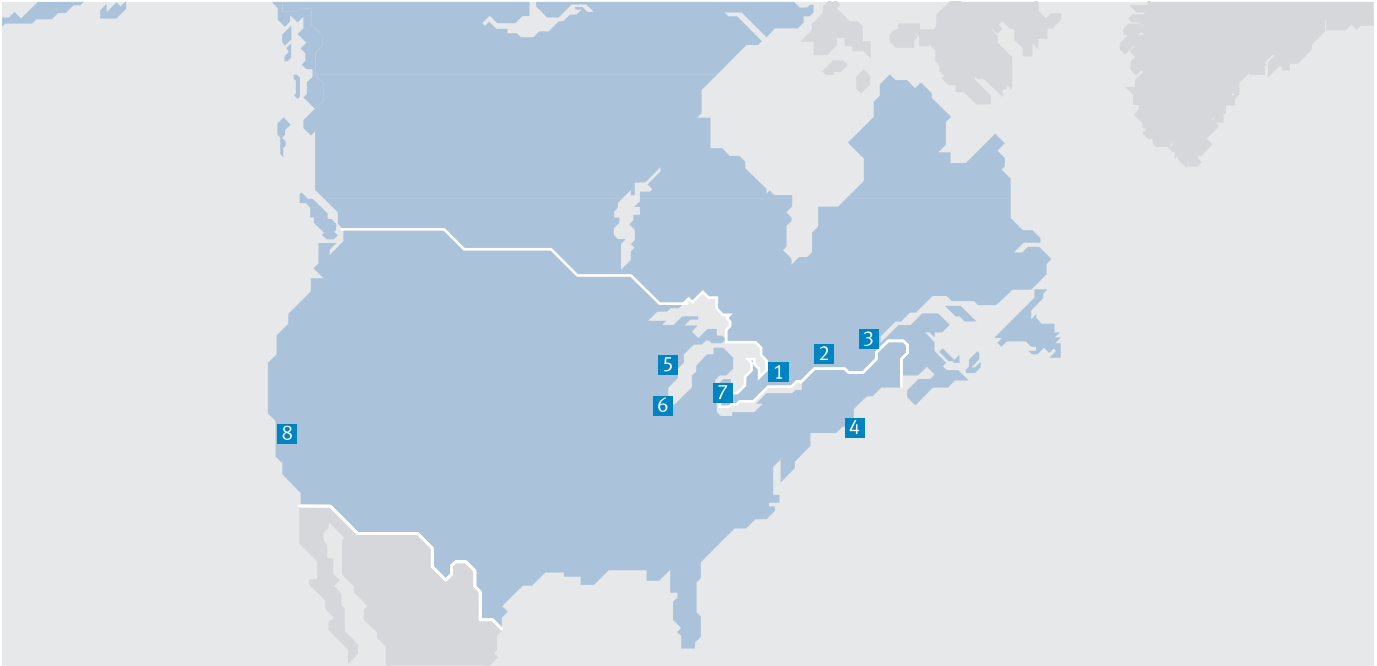
M Mandatory data

O Options

Transfer order code

8003577	NEBV	-	Z3	WA	2	L	-	R	-	E	-		-	N	-	LE	2	-	S1
----------------	-------------	---	-----------	-----------	----------	----------	---	----------	---	----------	---	--	---	----------	---	-----------	----------	---	-----------

Festo North America



**1 Festo Canada
Headquarters
Festo Inc.**
5300 Explorer Drive
Mississauga, ON
L4W 5G4

2 Montréal
5600, Trans-Canada
Pointe-Claire, QC
H9R 1B6

3 Québec City
2930, rue Watt#117
Québec, QC
G1X 4G3



**4 Festo United States
Headquarters
Festo Corporation**
395 Moreland Road
Hauppauge, NY
11788

5 Appleton
North 922 Tower View Drive, Suite N
Greenville, WI
54942

7 Detroit
1441 West Long Lake Road
Troy, MI
48098

6 Chicago
85 W Algonquin - Suite 340
Arlington Heights, IL
60005

8 Silicon Valley
4935 Southfront Road, Suite F
Livermore, CA
94550

Festo Regional Contact Center

Canadian Customers

Commercial Support:
Tel: 1 877 GO FESTO (1 877 463 3786)
Fax: 1 877 FX FESTO (1 877 393 3786)
Email: festo.canada@ca.festo.com

Technical Support:
Tel: 1 866 GO FESTO (1 866 463 3786)
Fax: 1 877 FX FESTO (1 877 393 3786)
Email: technical.support@ca.festo.com

USA Customers

Commercial Support:
Tel: 1 800 99 FESTO (1 800 993 3786)
Fax: 1 800 96 FESTO (1 800 963 3786)
Email: customer.service@us.festo.com

Technical Support:
Tel: 1 866 GO FESTO (1 866 463 3786)
Fax: 1 800 96 FESTO (1 800 963 3786)
Email: product.support@us.festo.com