

Electrical adapters NEFU, universal

Technical data

**Control cabinet through-hole
NEFU-D12G4**

- Control cabinet through-hole for Ethernet connecting cables with M12 connection



| General technical data | | |
|----------------------------------|---|--|
| Type | NEFU-D12G4-D12DG4 | NEFU-D12G4-R3DW4 |
| Electrical connection 1 | Straight socket, 4-pin, M12x1, D-coded | Straight socket, 4-pin, M12x1, D-coded |
| Electrical connection 2 | Straight socket, 4-pin, M12x1, D-coded | Angled socket, 4-pin, RJ45 |
| Conforms to standard | EN 61076-2-101 | EN 61076-2-101 |
| | – | IEC 60603-7-3 |
| Transmission characteristics | In accordance with category 5, EN 50173, class D | |
| | In accordance with category 5, ISO/IEC 11801, class D | |
| Operating voltage range | [V DC] 0 ... 30 | |
| Surge resistance | [kV] 0.8 | |
| Acceptable current load at 40°C | [A] 4 | 2 |
| Type of mounting | Screw-clamped | |
| Nominal tightening torque | [Nm] 0.5 (for plug connector M12x1) | |
| | [Nm] 2.5 (hex nut for mounting in control cabinet) | |
| Degree of protection to EN 60529 | – | IP20 |
| | IP65 | IP65 |
| | IP67 | IP67 |

| Materials | | |
|-------------------|---|--|
| Type | NEFU-D12G4-D12DG4 | NEFU-D12G4-R3DW4 |
| Housing | Nickel-plated brass | PA, nickel-plated brass, die-cast zinc |
| Housing colour | Silver | Black |
| Pin contacts | Gold-plated brass | Gold-plated brass |
| Note on materials | RoHS compliant | RoHS compliant |
| | Free of copper and PTFE | Free of copper and PTFE |
| | Contains PWIS (paint-wetting impairment substances) | – |

| Operating and environmental conditions | | |
|--|-------------------|------------------|
| Type | NEFU-D12G4-D12DG4 | NEFU-D12G4-R3DW4 |
| Ambient temperature | [°C] –25 ... +85 | –5 ... +60 |
| Degree of contamination | 3 | 3 |

Electrical adapters NEFU, universal

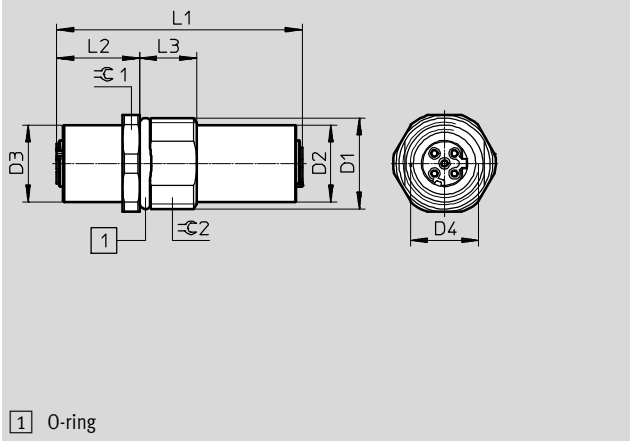
Technical data

FESTO

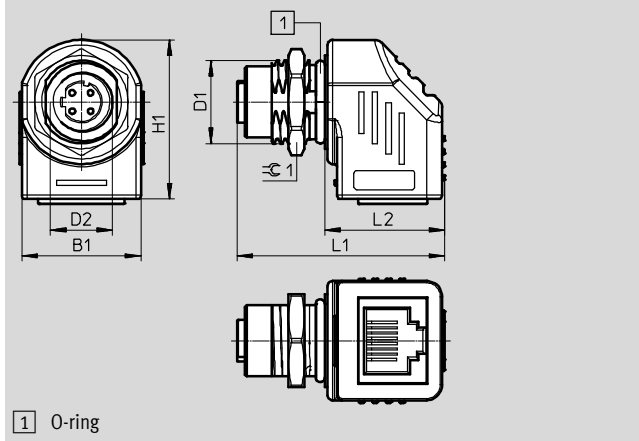
Dimensions

Download CAD data → www.festo.com

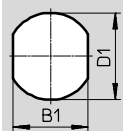
NEFU-D12G4-D12DG4



NEFU-D12G4-R3DW4



Mounting aperture

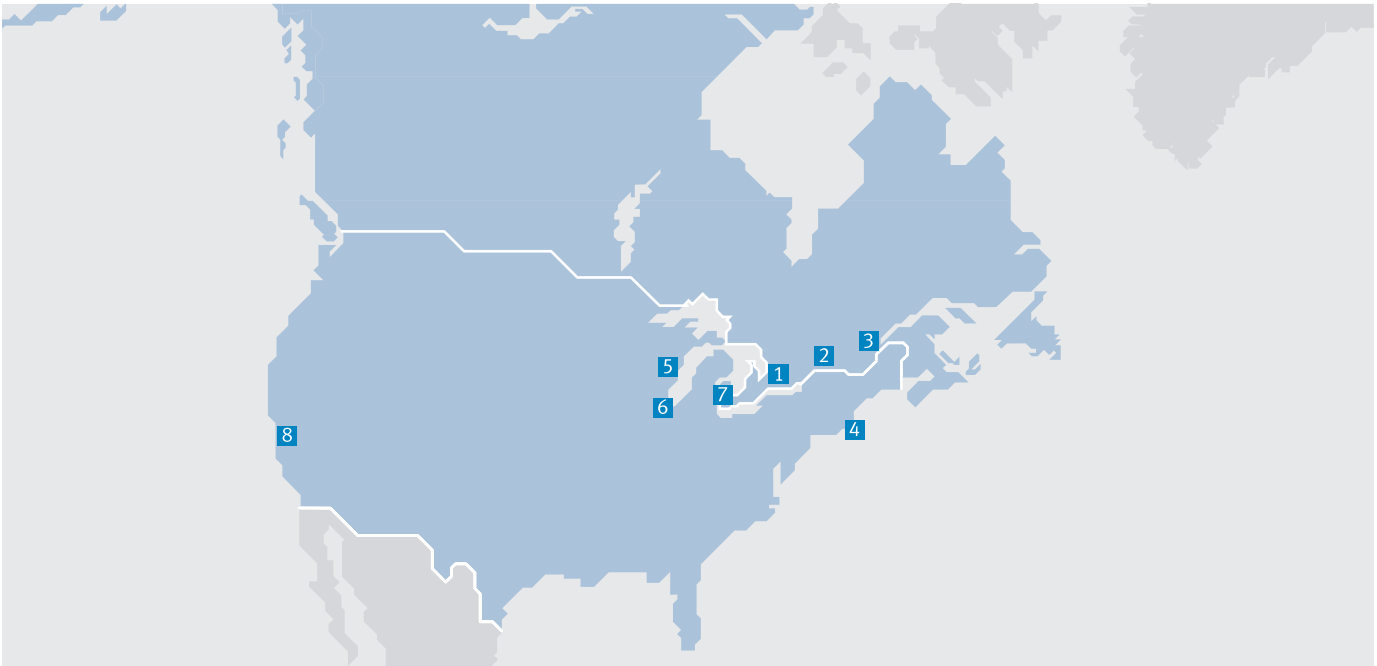


| Type | B1 | D1 | D2 | D3 | D4 | H1 | L1 | L2 | L3 | ⌀ 1 | ⌀ 2 |
|-------------------|------|---------|-------|------|-------|------|------|------|----|------|------|
| NEFU-D12G4-D12DG4 | - | M16x1.5 | 13.5 | 13.5 | M12x1 | - | 43.2 | 14.6 | 10 | SW17 | SW14 |
| NEFU-D12G4-R3DW4 | 23 | M16x1.5 | M12x1 | - | - | 30.7 | 40.1 | 23.1 | - | SW18 | - |
| Mounting aperture | 13.8 | 16 | - | - | - | - | - | - | - | - | - |

Ordering data

| | Electrical connection 1 | Electrical connection 2 | Part No. | Type |
|--|--|--|----------------|--------------------------|
| | Straight socket, 4-pin, M12x1, D-coded | Straight socket, 4-pin, M12x1, D-coded | 8040459 | NEFU-D12G4-D12DG4 |
| | | Angled socket, 4-pin, RJ45 | 8040457 | NEFU-D12G4-R3DW4 |

Festo North America



**1 Festo Canada
Headquarters
Festo Inc.**
5300 Explorer Drive
Mississauga, ON
L4W 5G4

2 Montréal
5600, Trans-Canada
Pointe-Claire, QC
H9R 1B6

3 Québec City
2930, rue Watt#117
Québec, QC
G1X 4G3



**4 Festo United States
Headquarters
Festo Corporation**
395 Moreland Road
Hauppauge, NY
11788

5 Appleton
North 922 Tower View Drive, Suite N
Greenville, WI
54942

7 Detroit
1441 West Long Lake Road
Troy, MI
48098

6 Chicago
85 W Algonquin - Suite 340
Arlington Heights, IL
60005

8 Silicon Valley
4935 Southfront Road, Suite F
Livermore, CA
94550

Festo Regional Contact Center

Canadian Customers

Commercial Support:
Tel: 1 877 GO FESTO (1 877 463 3786)
Fax: 1 877 FX FESTO (1 877 393 3786)
Email: festo.canada@ca.festo.com

Technical Support:
Tel: 1 866 GO FESTO (1 866 463 3786)
Fax: 1 877 FX FESTO (1 877 393 3786)
Email: technical.support@ca.festo.com

USA Customers

Commercial Support:
Tel: 1 800 99 FESTO (1 800 993 3786)
Fax: 1 800 96 FESTO (1 800 963 3786)
Email: customer.service@us.festo.com

Technical Support:
Tel: 1 866 GO FESTO (1 866 463 3786)
Fax: 1 800 96 FESTO (1 800 963 3786)
Email: product.support@us.festo.com