

# Classic Tiger Manifolds

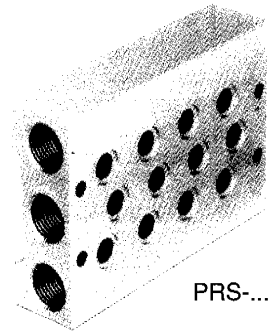
Type PRS-... For "Tiger" Series Valves, Dimensions

## Light-weight, slim-line PRS-...

Manifolds for the "Tiger" series valves save space, assembly time and tubing/fittings costs. Both air-piloted and solenoid actuated valves (series 1/8" and/or 1/4") can be mounted together on a single manifold.\*

## Manifolds, Type PRS-...(NPT or Metric)

- Corrosion-resistant, extruded aluminum construction
- Common 1/2" supply and exhaust ports
- Single bolt valve mounting speeds assembly and maintenance
- Accommodates 2 to 15, 3- and/or 5-ported, 4-way valves

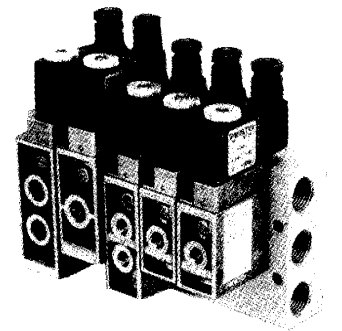


PRS-...

Ref. (5.4/16-1) (5.4/26-1) (98)

For Valve Port Size	Connection	Manifold For 2 Valves	Manifold For 3 Valves	Manifold For 4 Valves	Manifold For 5 Valves	Manifold For 6 Valves	Blanking Plate
5/2-way G-1/8	G-3/8	11898 PRS-1/8-2-B	11899 PRS-1/8-3-B	11900 PRS-1/8-4-B	11901 PRS-1/8-5-B	11902 PRS-1/8-6-B	11687 PRSB-1/8
5/2-way G-1/4 / 1/4-NPT	G-1/2	10185 PRS-1/4-2	10186 PRS-1/4-3	10187 PRS-1/4-4	10188 PRS-1/4-5	10189 PRS-1/4-6	11688 PRSB-1/4
G-1/8 or G-1/4 1/8 or 1/4 NPT	G-1/2	10055 PRS-1/8-1/4-X (X = Length in mm)				(Both 3/2- and 5/2-way 1/8 and 1/4 valves can be mounted.)	

PRS-... Manifolds	Hollow Bolt	Blanking Plate	Hollow Bolt for Separate Air Supply	
PRS-1/8-...-B	11539 VT-1/8-PRSK	11687 PRSB-1/8	12634 VT-1/8-AJK-P	Metric
PRS-1/4-...	9499 VT-1/4-PRS	11688 PRSB-1/4	12635 VT-1/4-AJ-P	Metric
	9500 VT-1/4-NPT-PRS	13000243 PRS-BP-1/4-NPT	13001693 VT-1/4-AJP-NPT	NPT
PRS-1/8-1/4-X	10071 VT-1/8-PRS	11687 PRSB-1/8	12633 VT-1/8-AJ-P	Metric
	9499 VT-1/4-PRS	11688 PRSB-1/4	12635 VT-1/4-AJ-P	
	10072 VT-1/8-NPT-PRS	13000242 PRS-BP-1/8-NPT		NPT
	9500 VT-1/4-NPT-PRS	13000242 PRS-BP-1/8-NPT 13000243 PRS-BP-1/4-NPT	13001693 VT-1/4-AJP-NPT	NPT



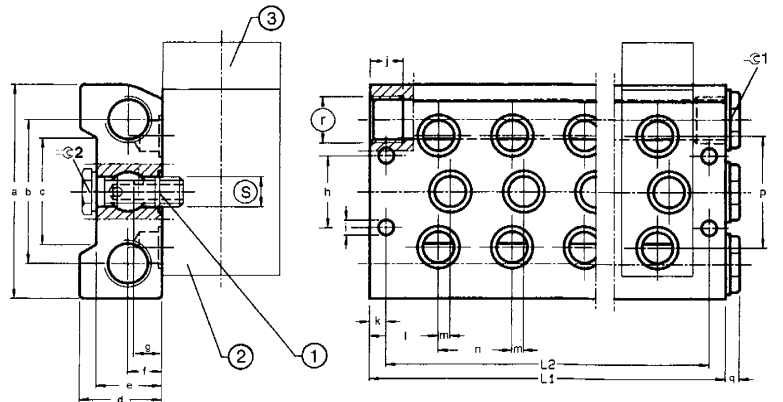
## Manifolds: Type PRS-1/8-...-B and PRS-1/4... (Inch and Metric)

### PRS-1/8-...-B

- ① Hollow bolt  
Type VT-1/8-PRSK
- ② This manifold can be used to mount the following valves:  
Type MFH-5-1/8,  
VL-5-1/8, JH-5-1/8,  
JDH-5-1/8, JMFH-5-1/8,  
JMFH-5-1/8
- ③ Valve cover can be rotated 180°

### PRS-1/4-...

- ① Hollow bolt  
Type VT-1/4-PRS or  
VT-1/4 NPT-PRS
- ② This manifold can be used to mount the following valves:  
Type MFH-5-1/4, and NPT  
VL-5-1/4, and NPT  
JH-5-1/4, and NPT  
JDH-5-1/4, and NPT  
JMFH-5-1/4, and NPT  
JMFH-5-1/4, and NPT
- ③ Valve cover can be rotated 180°



## Dimensions Ref. 2.930, 2.932, 2.935

Type	a in / mm	b in / mm	c in / mm	d in / mm	e in / mm	f in / mm	g in / mm	h in / mm	i in / mm	j in / mm
PRS-1/8-	3.15 / 80	2.20 / 56	1.57 / 40	1.14 / 28.5	0.88 / 22	0.51 / 12.5	0.44 / 10.8	1.10 / 28	0.26 / 6.6	0.47 / 12
PRS-1/4-	3.62 / 92	2.44 / 62	1.81 / 48	1.38 / 34.5	1.10 / 27.5	0.57 / 14	0.57 / 14	1.22 / 31	0.26 / 6.6	0.55 / 14
Type	k in / mm	l in / mm	m in / mm	n in / mm	p in / mm	q in / mm	r mm	s mm	1 mm	2 mm
PRS-1/8-	0.28 / 7	0.92 / 23.5	0.28 / 7	1.06 / 27	1.50 / 38	0.20 / 5	G 3/8	G 1/8	8	14
PRS-1/4-	0.28 / 7	1.15 / 29.2	0.20 / 5	1.24 / 31.4	1.89 / 48	0.24 / 6	G 1/2	G 1/4	10	17

Type	L1 in / mm	L2 in / mm
PRS-1/8-2-B	3.19 / 81	2.64 / 67
PRS-1/8-4-B	5.31 / 135	4.76 / 121
PRS-1/8-6-B	7.44 / 189	6.89 / 175

Type	L1 in / mm	L2 in / mm
PRS-1/4-2	3.54 / 90	2.98 / 75.8
PRS-1/4-4	6.00 / 152.5	5.46 / 138.6
PRS-1/4-6	8.48 / 215.5	7.93 / 201.4

# Product Range and Company Overview

## A Complete Suite of Automation Services

Our experienced engineers provide complete support at every stage of your development process, including: conceptualization, analysis, engineering, design, assembly, documentation, validation, and production.



**Custom Automation Components**  
Complete custom engineered solutions



**Custom Control Cabinets**  
Comprehensive engineering support and on-site services



**Complete Systems**  
Shipment, stocking and storage services

## The Broadest Range of Automation Components

With a comprehensive line of more than 30,000 automation components, Festo is capable of solving the most complex automation requirements.



**Electromechanical**  
Electromechanical actuators, motors, controllers & drives



**Pneumatics**  
Pneumatic linear and rotary actuators, valves, and air supply



**PLCs and I/O Devices**  
PLC's, operator interfaces, sensors and I/O devices

## Supporting Advanced Automation... As No One Else Can!

Festo is a leading global manufacturer of pneumatic and electromechanical systems, components and controls for industrial automation, with more than 12,000 employees in 56 national headquarters serving more than 180 countries. For more than 80 years, Festo has continuously elevated the state of manufacturing with innovations and optimized motion control solutions that deliver higher performing, more profitable automated manufacturing and processing equipment. Our dedication to the advancement of automation extends beyond technology to the education and development of current and future automation and robotics designers with simulation tools, teaching programs, and on-site services.

## Quality Assurance, ISO 9001 and ISO 14001 Certifications

Festo Corporation is committed to supply all Festo products and services that will meet or exceed our customers' requirements in product quality, delivery, customer service and satisfaction.

To meet this commitment, we strive to ensure a consistent, integrated, and systematic approach to management that will meet or exceed the requirements of the ISO 9001 standard for Quality Management and the ISO 14001 standard for Environmental Management.



© Copyright 2008, Festo Corporation. While every effort is made to ensure that all dimensions and specifications are correct, Festo cannot guarantee that publications are completely free of any error, in particular typing or printing errors. Accordingly, Festo cannot be held responsible for the same. For Liability and Warranty conditions, refer to our "Terms and Conditions of Sale", available from your local Festo office. All rights reserved. No part of this publication may be reproduced, distributed, or transmitted in any form or by any means, electronic, mechanical, photocopying or otherwise, without the prior written permission of Festo. All technical data subject to change according to technical update.



Printed on recycled paper at New Horizon Graphic, Inc., FSC certified as an environmentally friendly printing plant.

# Festo North America

## United States

**Customer Resource Center**  
502 Earth City Expy., Suite 125  
Earth City, MO 63045

For ordering assistance, or to find  
your nearest Festo Distributor,

**Call:** 1.800.99.FESTO  
**Fax:** 1.800.96.FESTO  
**Email:** customer.service@us.festo.com

For technical support,

**Call:** 1.866.GO.FESTO  
**Fax:** 1.800.96.FESTO  
**Email:** product.support@us.festo.com

### Headquarters

Festo Corporation  
395 Moreland Road  
P.O. Box 18023  
Hauppauge, NY 11788  
[www.festo.com/us](http://www.festo.com/us)

---

### Sales Offices

#### Appleton

N. 922 Tower View Drive, Suite N  
Greenville, WI 54942

#### Boston

120 Presidential Way, Suite 330  
Woburn, MA 01801

#### Chicago

1441 East Business Center Drive  
Mt. Prospect, IL 60056

#### Dallas

1825 Lakeway Drive, Suite 600  
Lewisville, TX 75057

**Detroit - Automotive Engineering Center**  
2601 Cambridge Court, Suite 320  
Auburn Hills, MI 48326

#### New York

395 Moreland Road  
Hauppauge, NY 11788

#### Silicon Valley

4935 Southfront Road, Suite F  
Livermore, CA 94550

## Design and Manufacturing Operations



**East:** 395 Moreland Road, Hauppauge, NY 11788



**Central:** 1441 East Business Center Drive, Mt. Prospect, IL 60056



**West:** 4935 Southfront Road, Suite F, Livermore, CA 94550

---

## Mexico

### Headquarters

Festo Pneumatic, S.A.  
Av. Ceylán 3, Col. Tequesquahuac  
54020 Tlalnepantla, Edo. de México  
**Call:** 011 52 [55] 53 21 66 00  
**Fax:** 011 52 [55] 53 21 66 65  
**Email:** festo.mexico@mx.festo.com  
[www.festo.com/mx](http://www.festo.com/mx)



---

## Canada

### Headquarters

Festo Inc.  
5300 Explorer Drive  
Mississauga, Ontario L4W 5G4  
**Call:** 1.905.624.9000  
**Fax:** 1.905.624.9001  
**Email:** info.ca@ca.festo.com  
[www.festo.com/ca](http://www.festo.com/ca)



---

## Festo Worldwide

Argentina Australia Austria Belarus Belgium Brazil Bulgaria Canada Chile China Colombia Croatia Czech Republic Denmark  
Estonia Finland France Germany Great Britain Greece Hong Kong Hungary India Indonesia Iran Ireland Israel Italy Japan  
Latvia Lithuania Malaysia Mexico Netherlands New Zealand Norway Peru Philippines Poland Romania Russia Serbia Singapore  
Slovakia Slovenia South Africa South Korea Spain Sweden Switzerland Taiwan Thailand Turkey Ukraine United States Venezuela

[www.festo.com](http://www.festo.com)